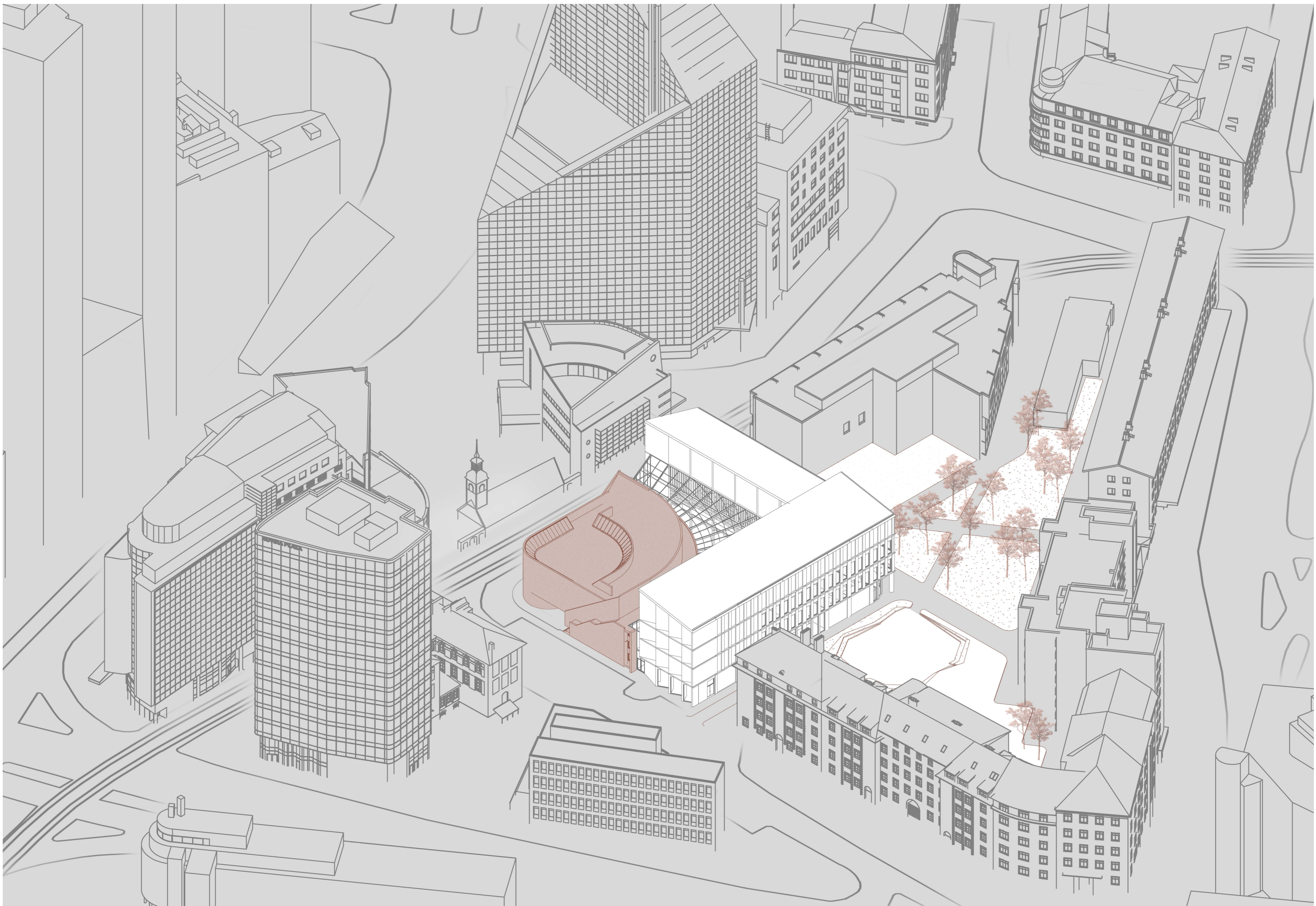


Kesklinn Community Centre

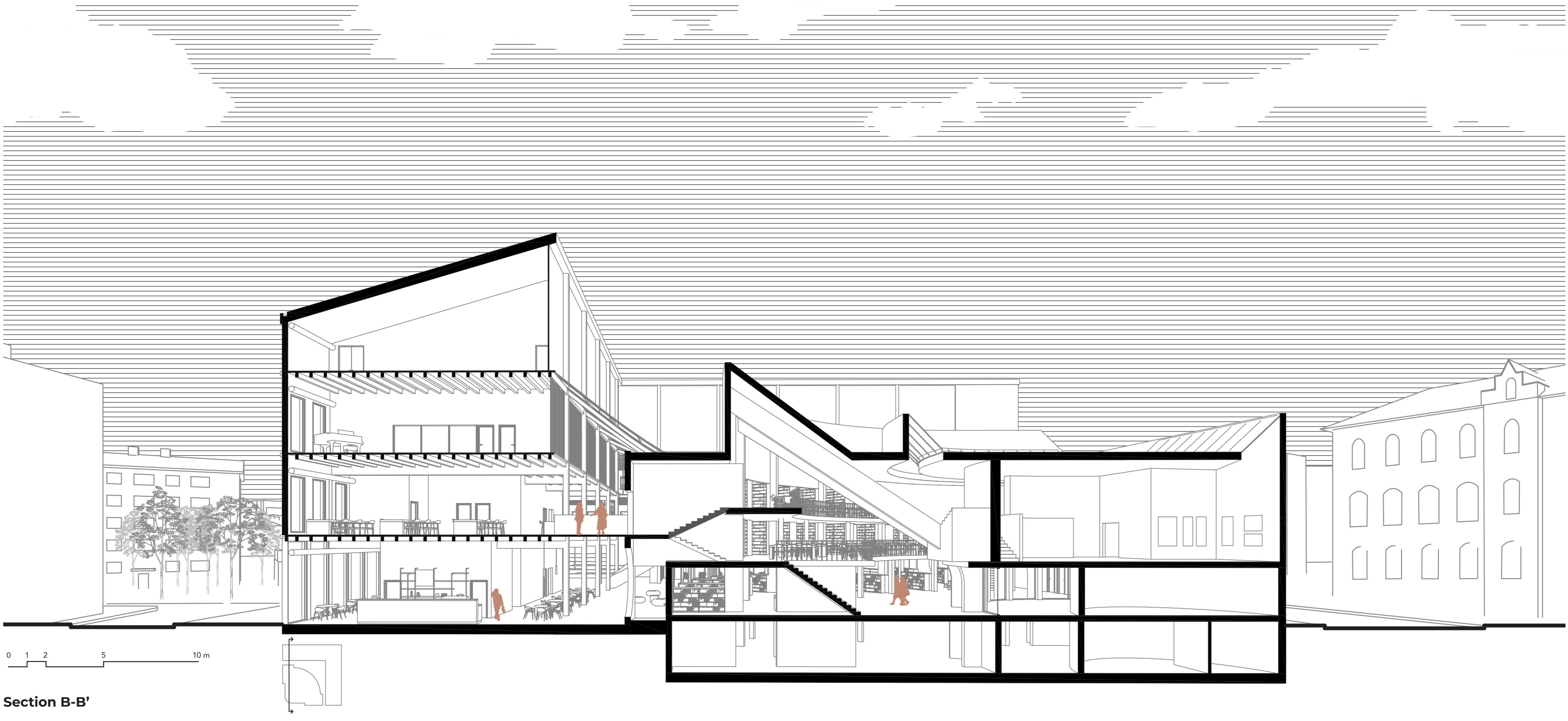
Reimagining Soviet-Era Heritage through the Lenses of Memory and Perception



Site plan



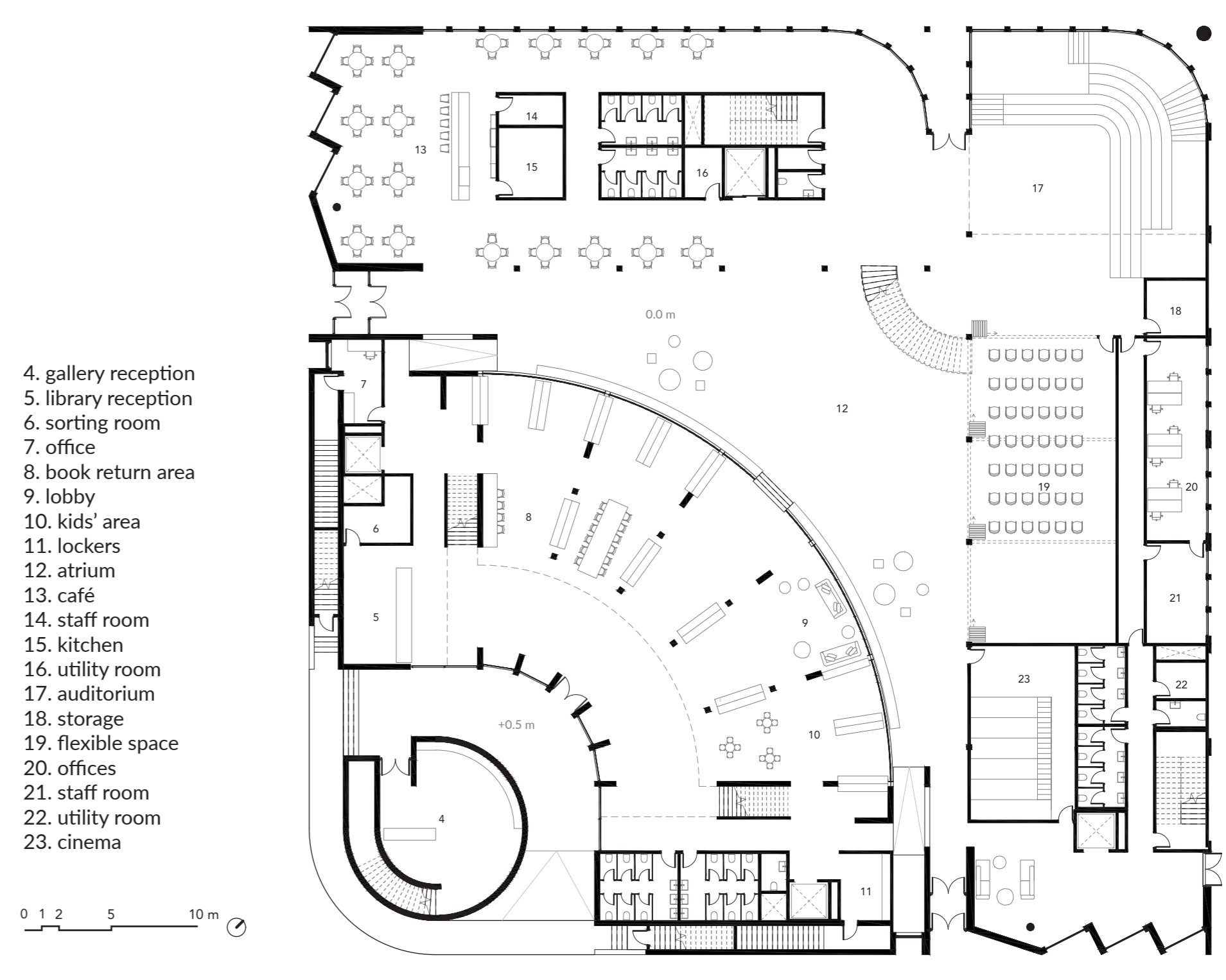
Axonometric view



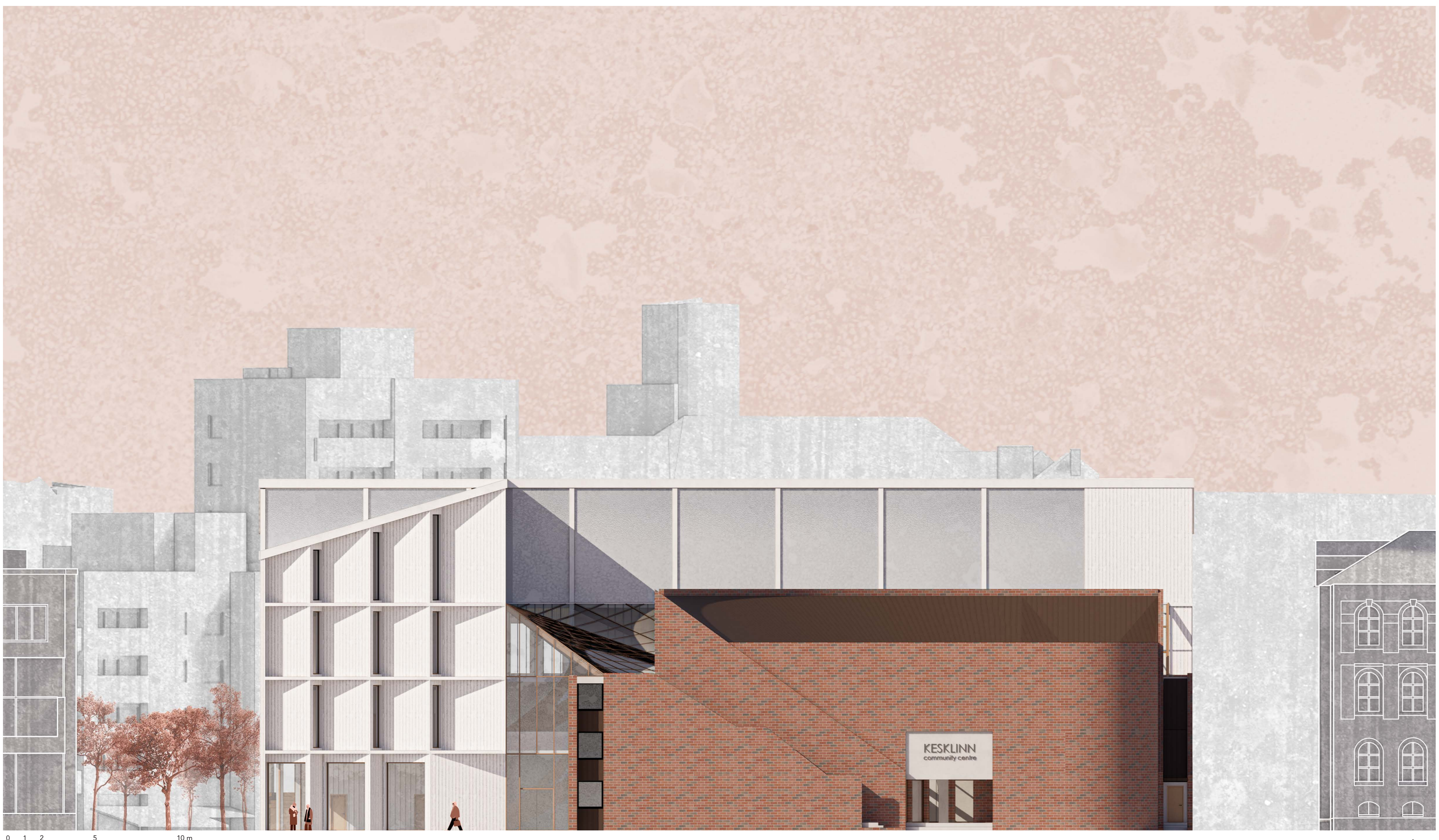
Section B-B'



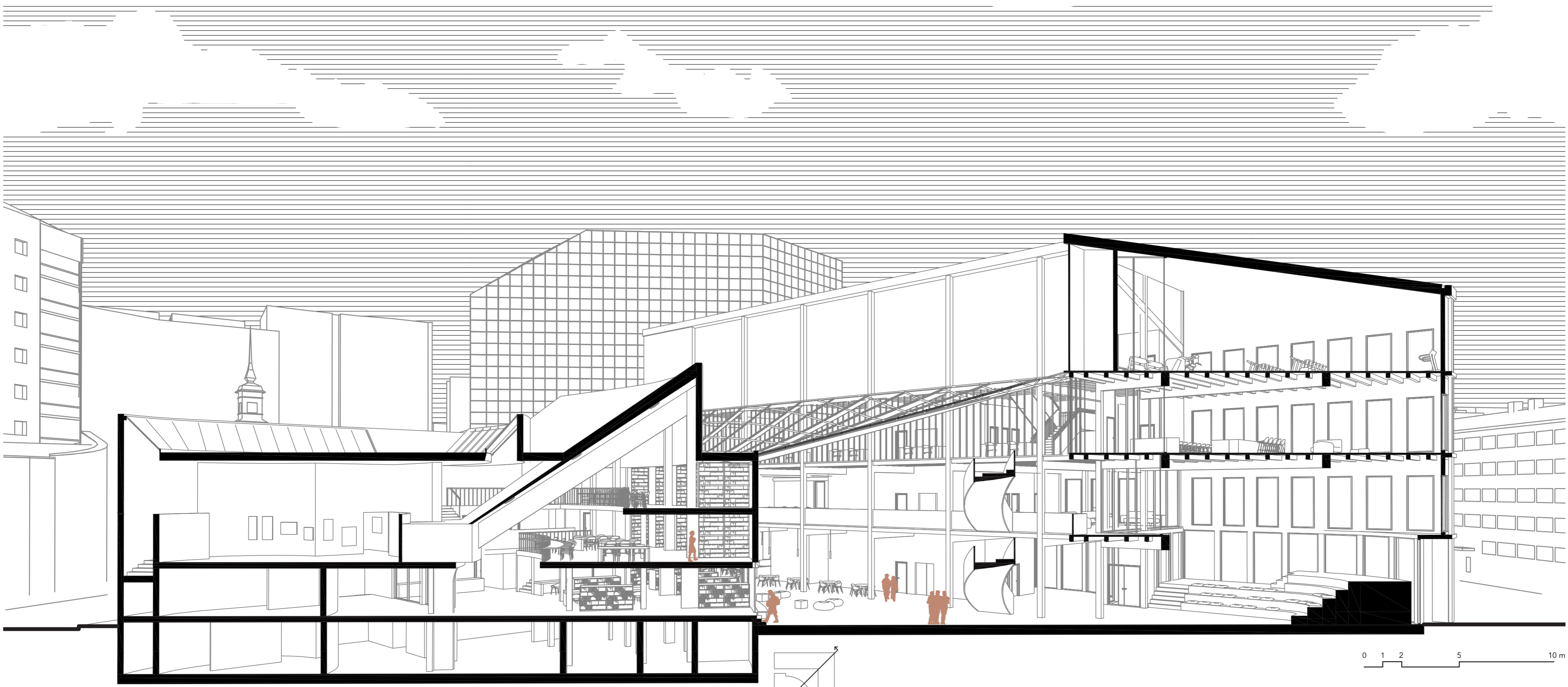
View from the main entrance



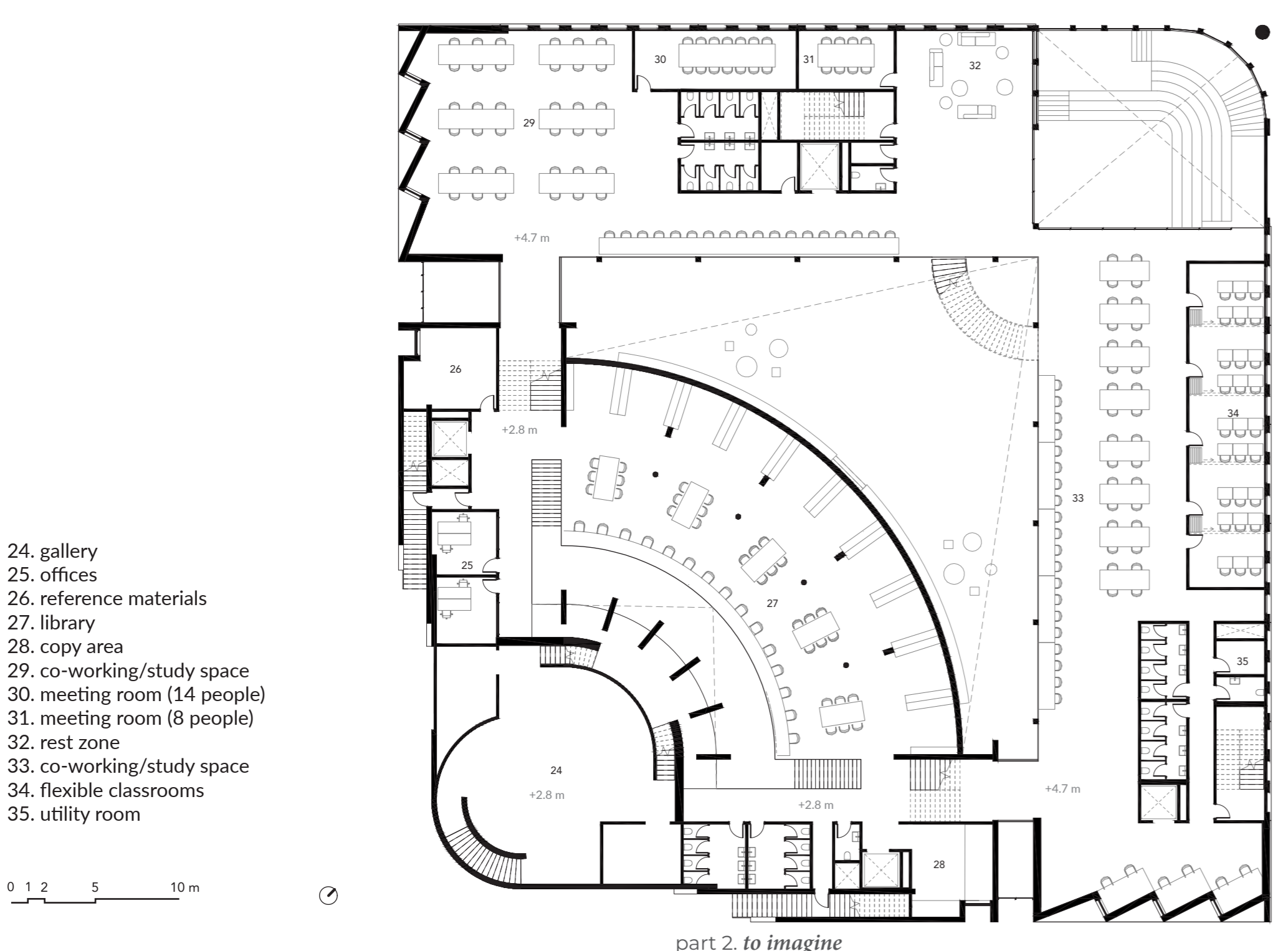
Ground floor plan



South-west Elevation



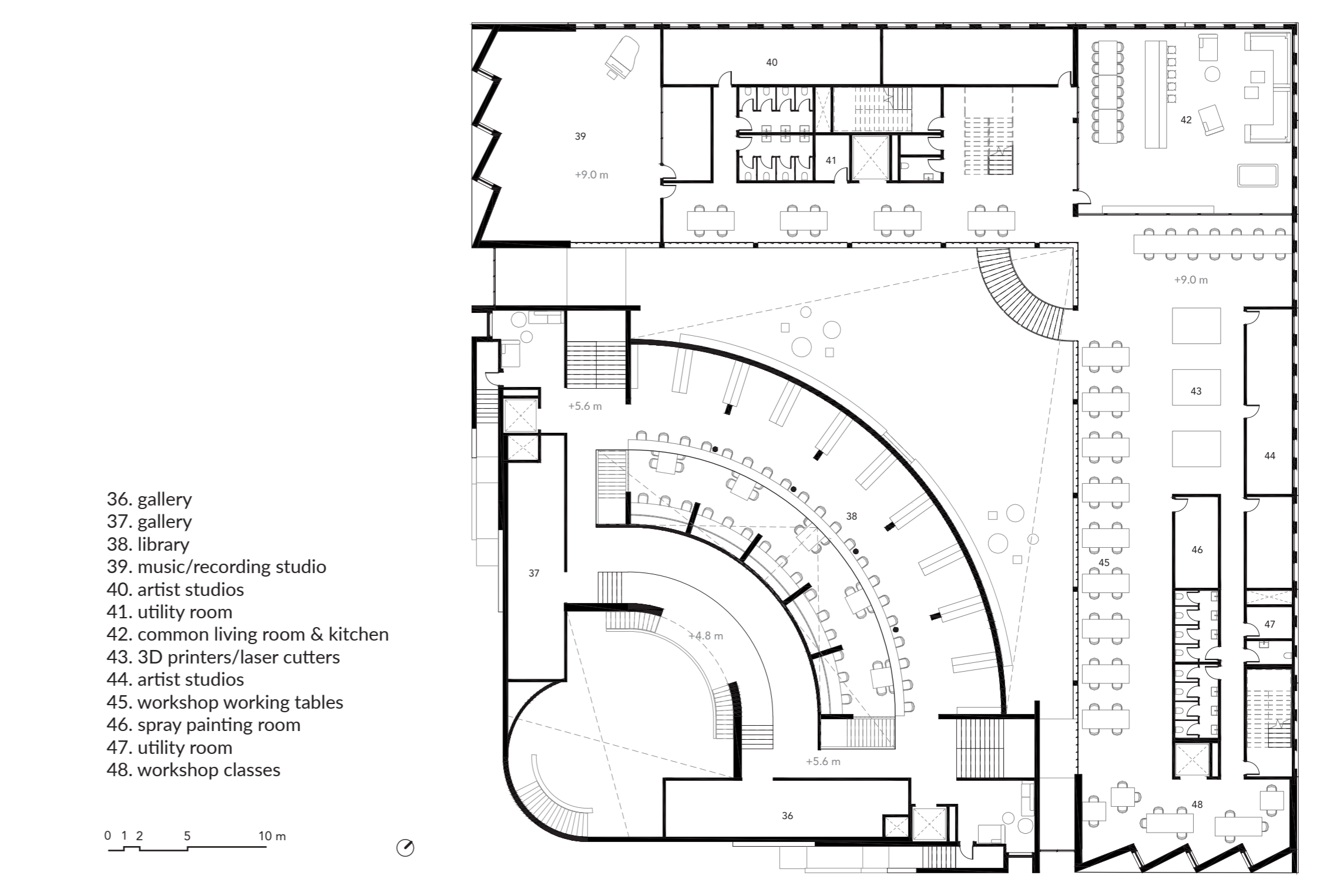
Section C-C'



- 24. gallery
- 25. offices
- 26. reference materials
- 27. library
- 28. copy area
- 29. co-working/study space
- 30. meeting room (14 people)
- 31. meeting room (8 people)
- 32. rest zone
- 33. co-working/study space
- 34. flexible classrooms
- 35. utility room

part 2. to imagine

First floor plan

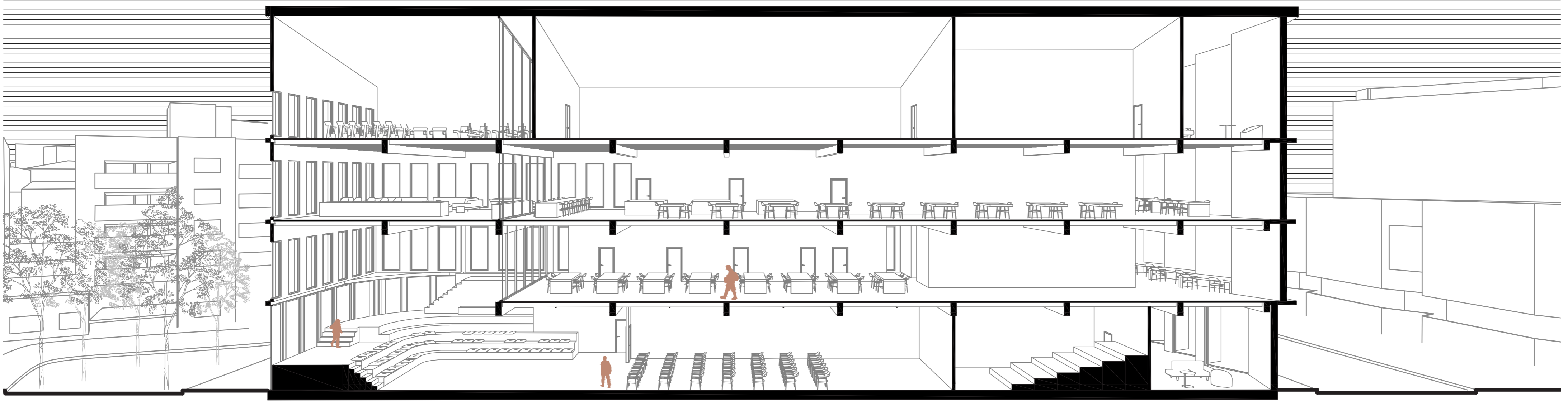


- 36. gallery
- 37. gallery
- 38. library
- 39. music/recording studio
- 40. artist studios
- 41. utility room
- 42. common living room & kitchen
- 43. 3D printers/laser cutters
- 44. artist studios
- 45. workshop working tables
- 46. spray painting room
- 47. utility room
- 48. workshop classes

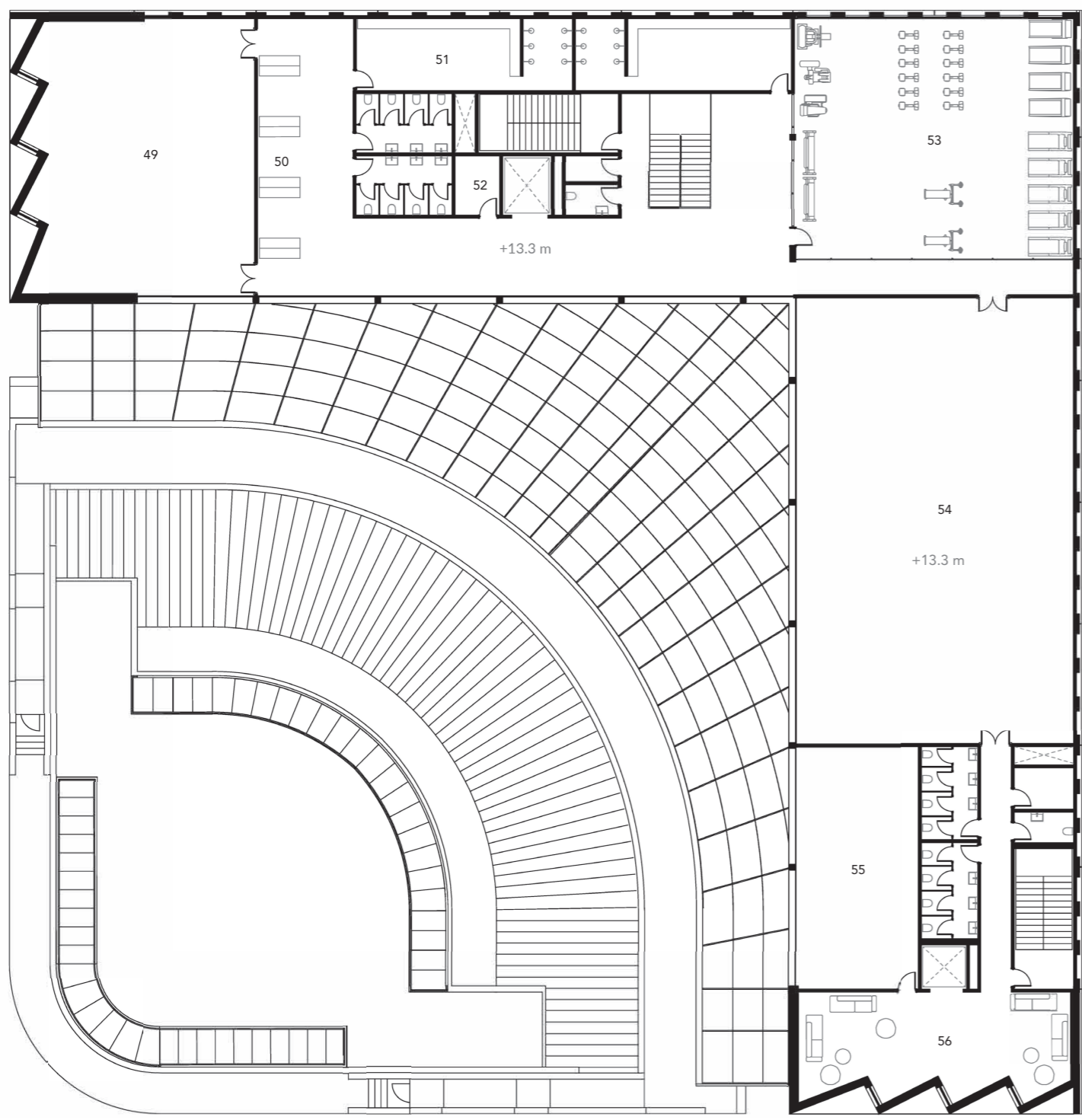
Second floor plan



South-east Elevation



Section A-A'



- 49. sports hall
- 50. lockers
- 51. fitting rooms
- 52. utility room
- 53. gym
- 54. sports hall
- 55. storage
- 56. rest zone

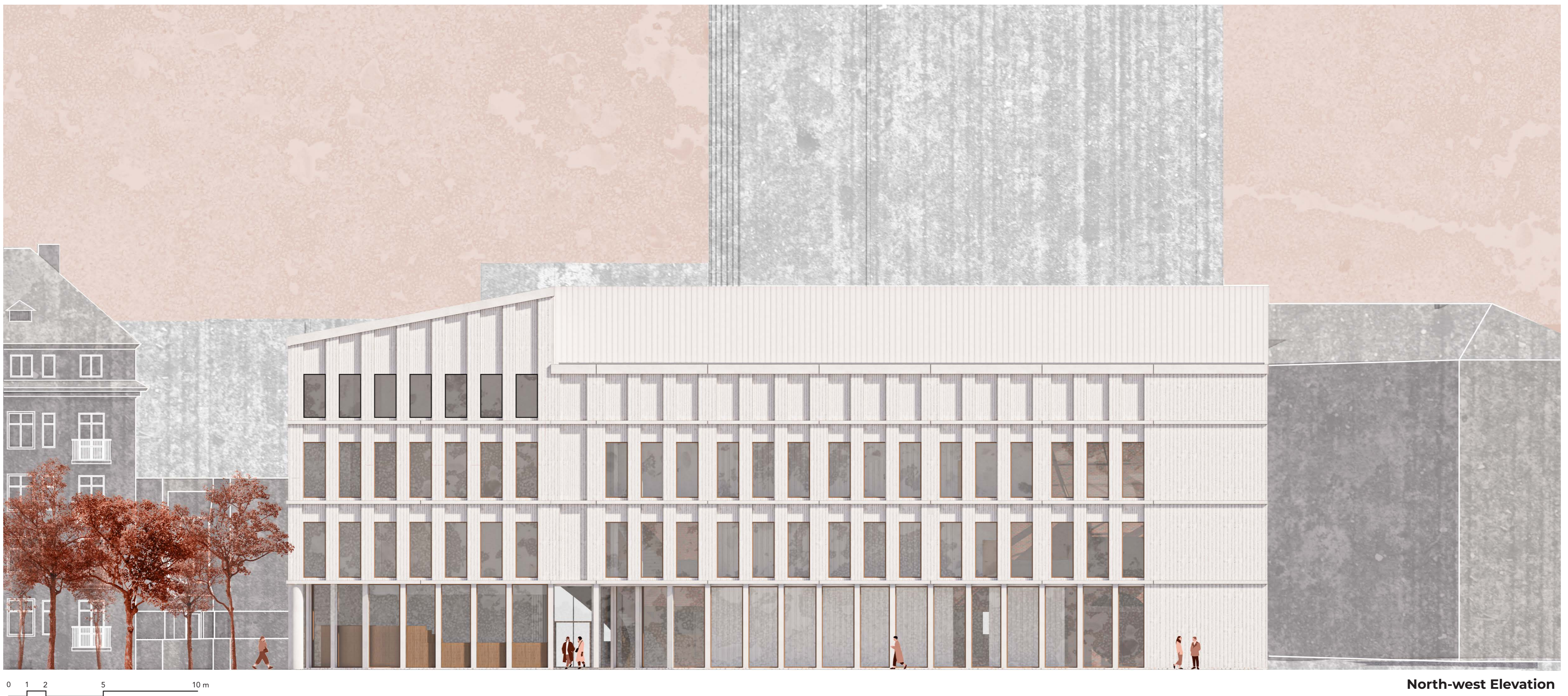
Third floor plan



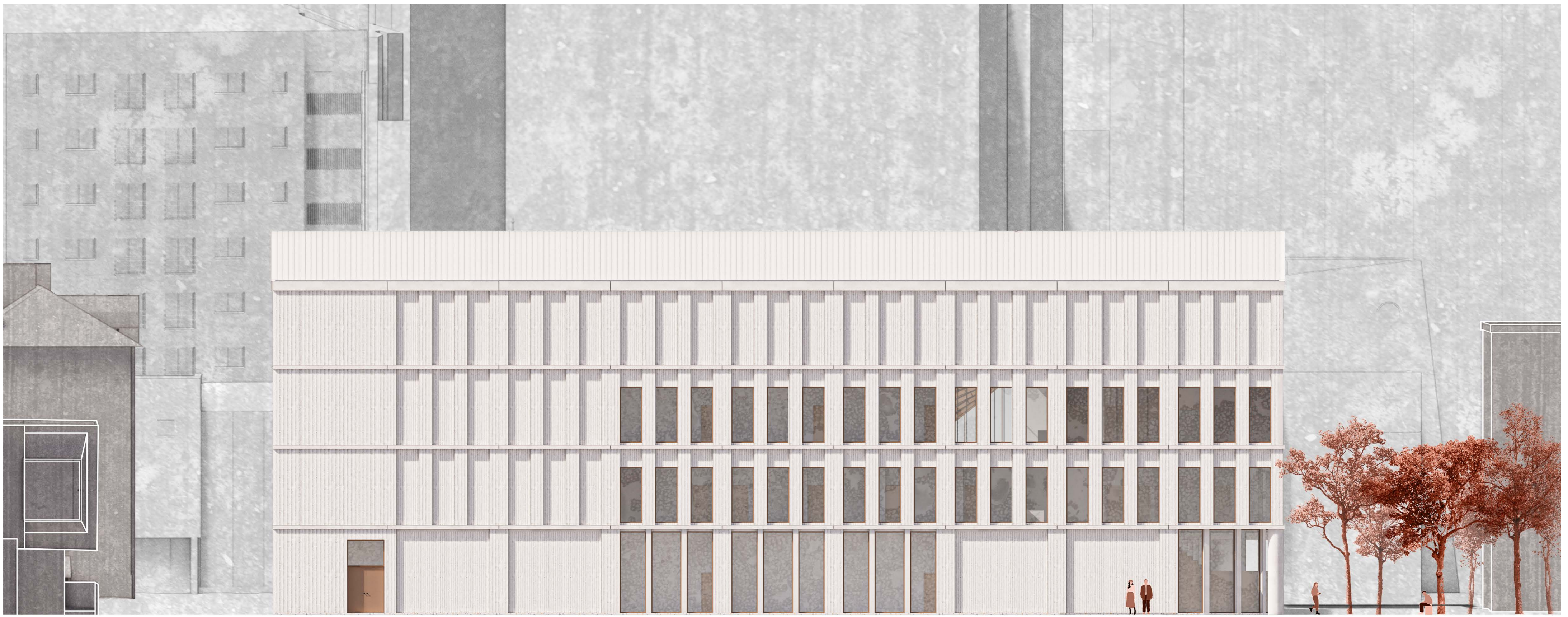
View from the first floor of the library



Atrium view
Iveta Nikolova



North-west Elevation

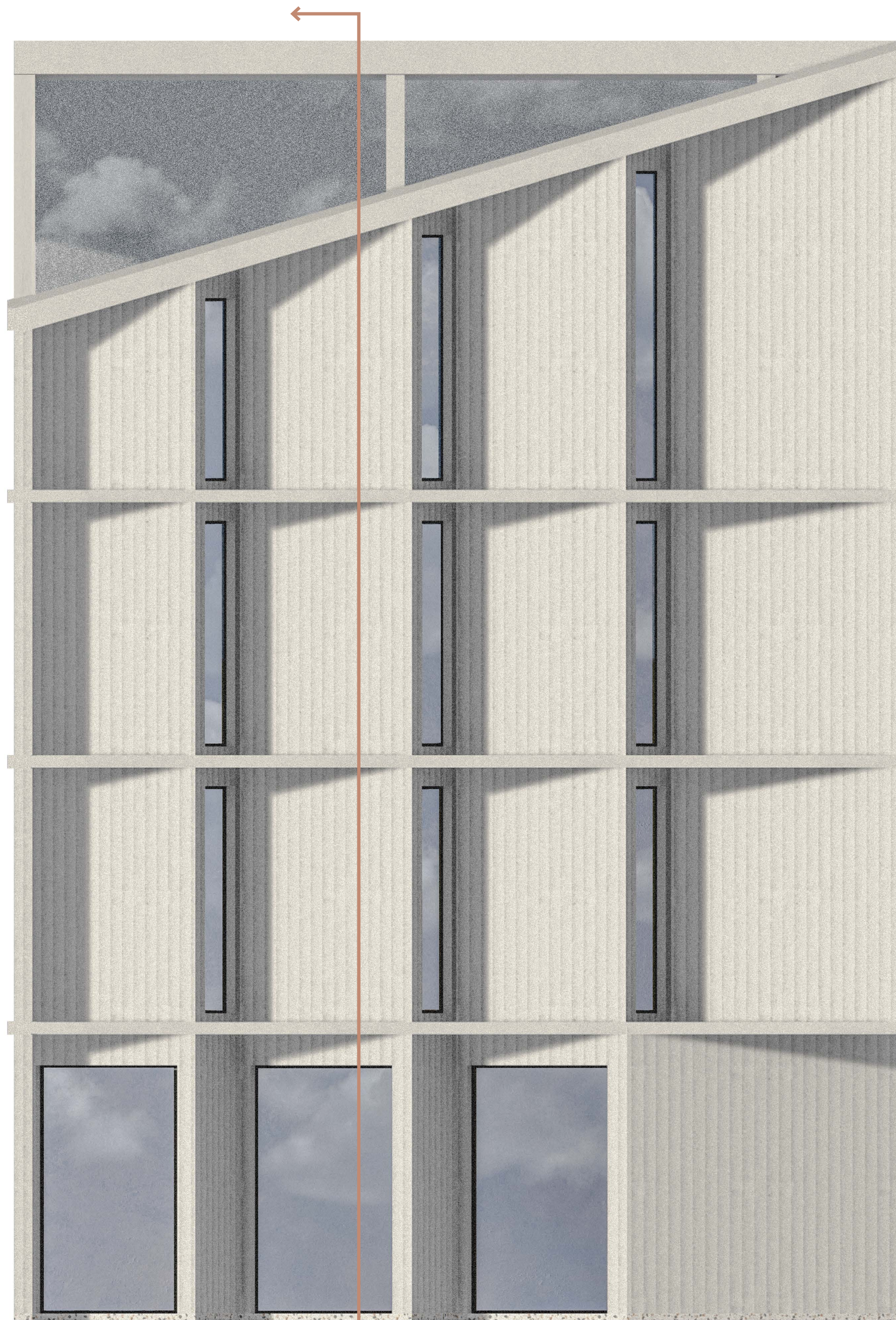


North-east Elevation

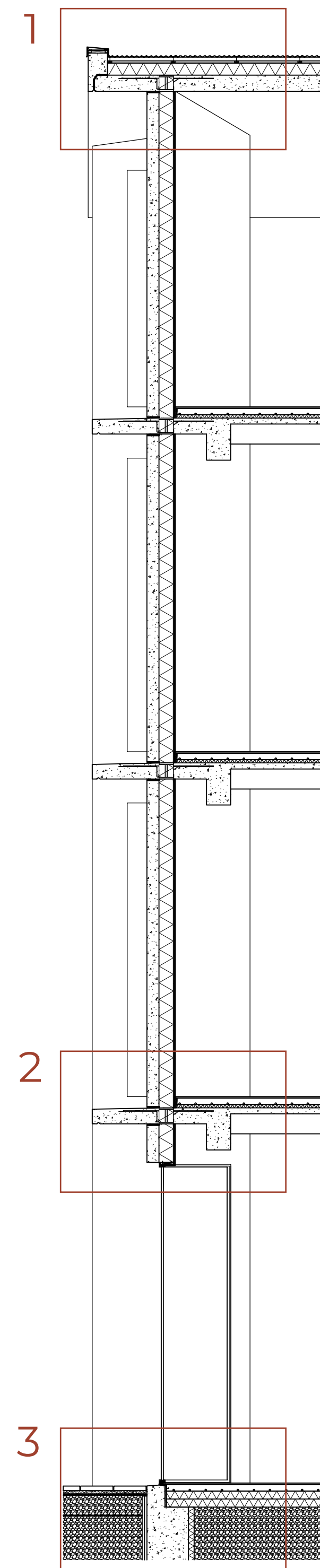


View from the courtyard

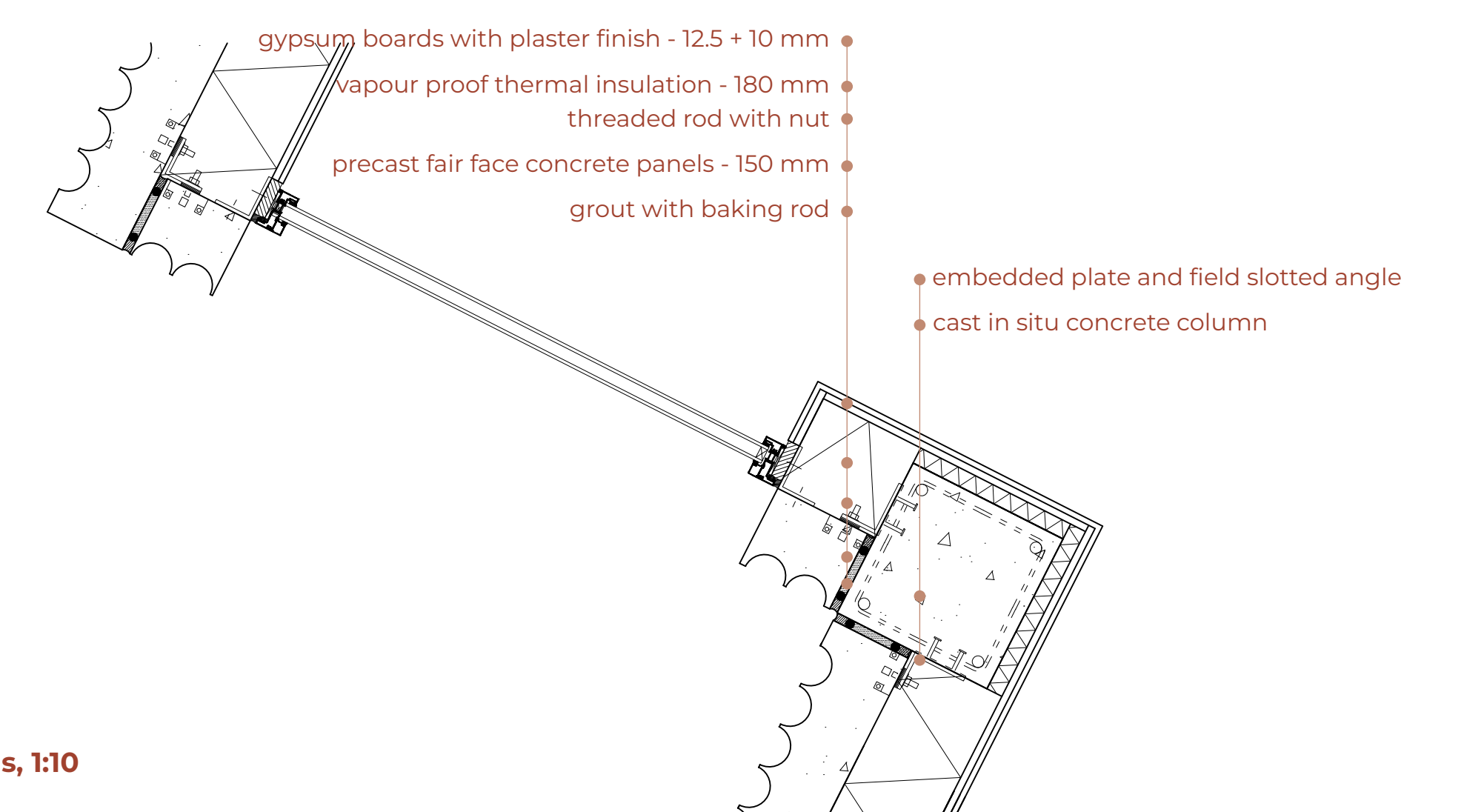
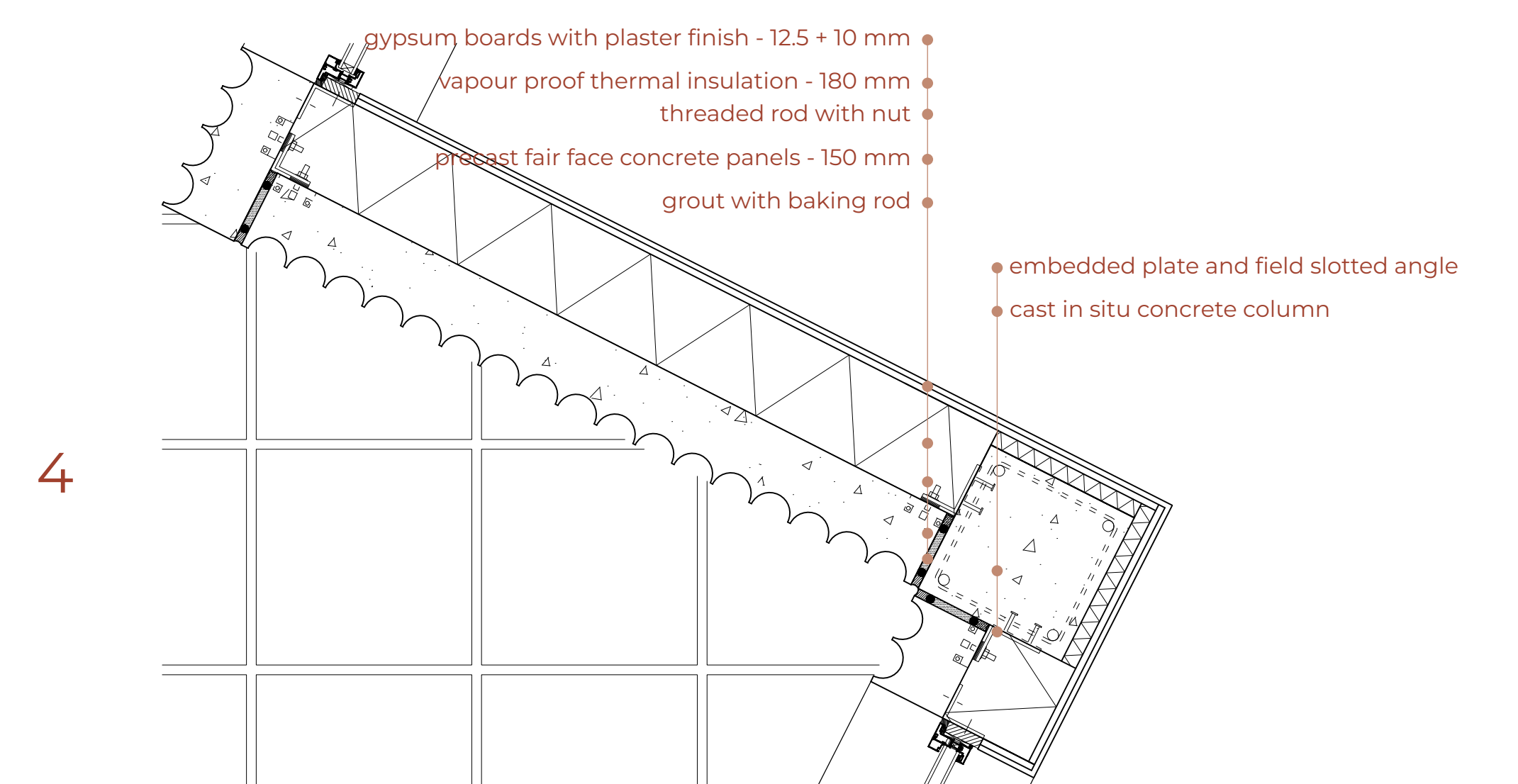
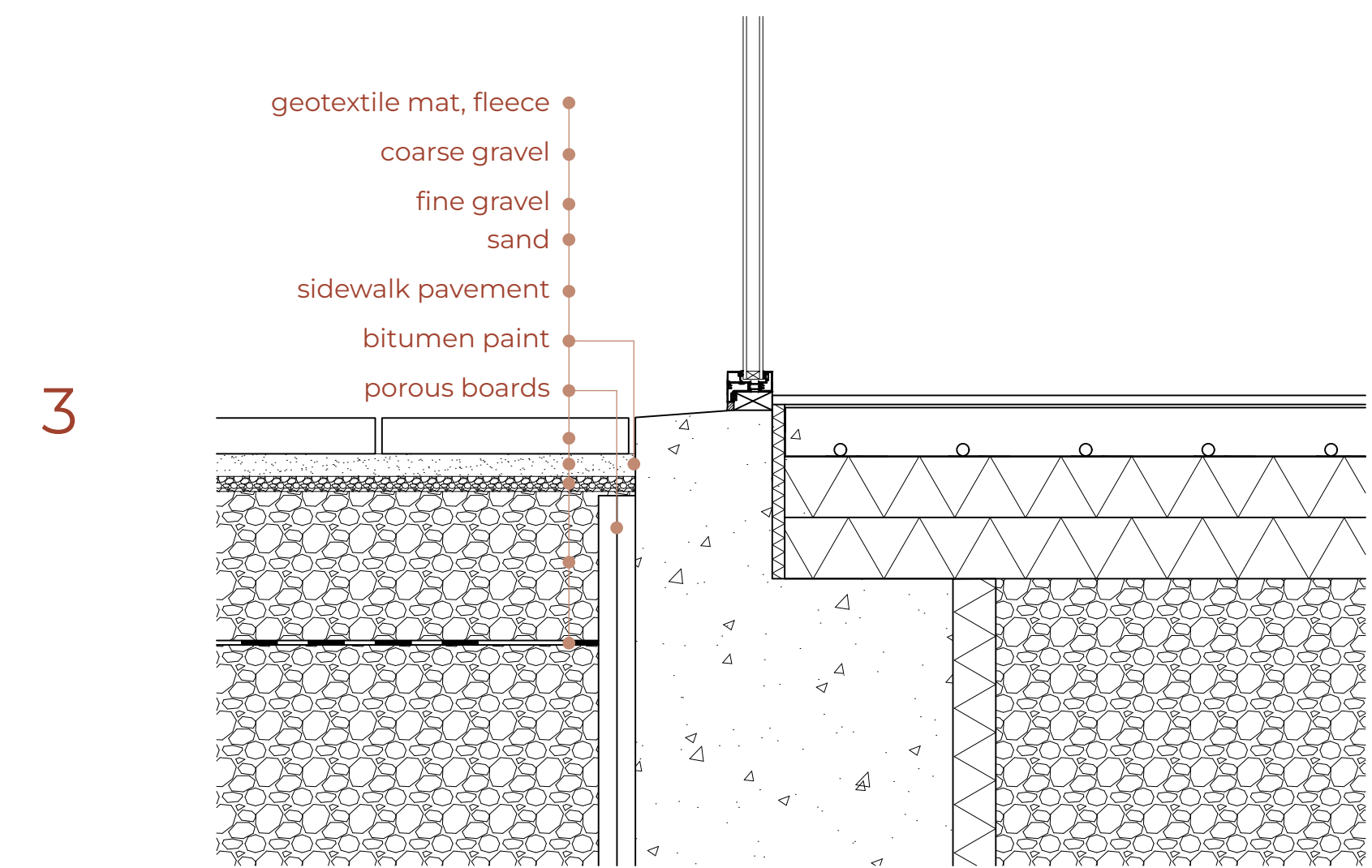
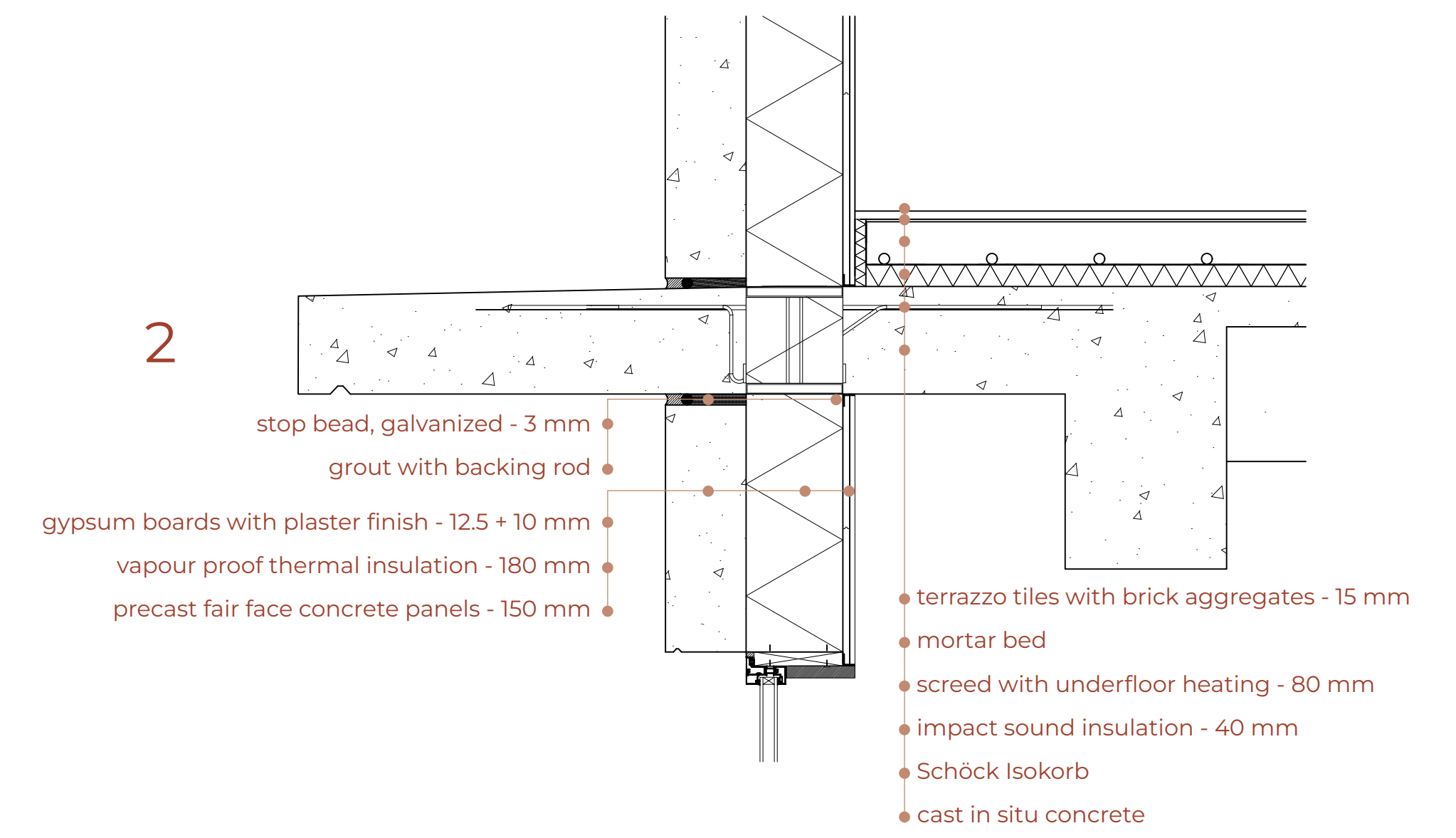
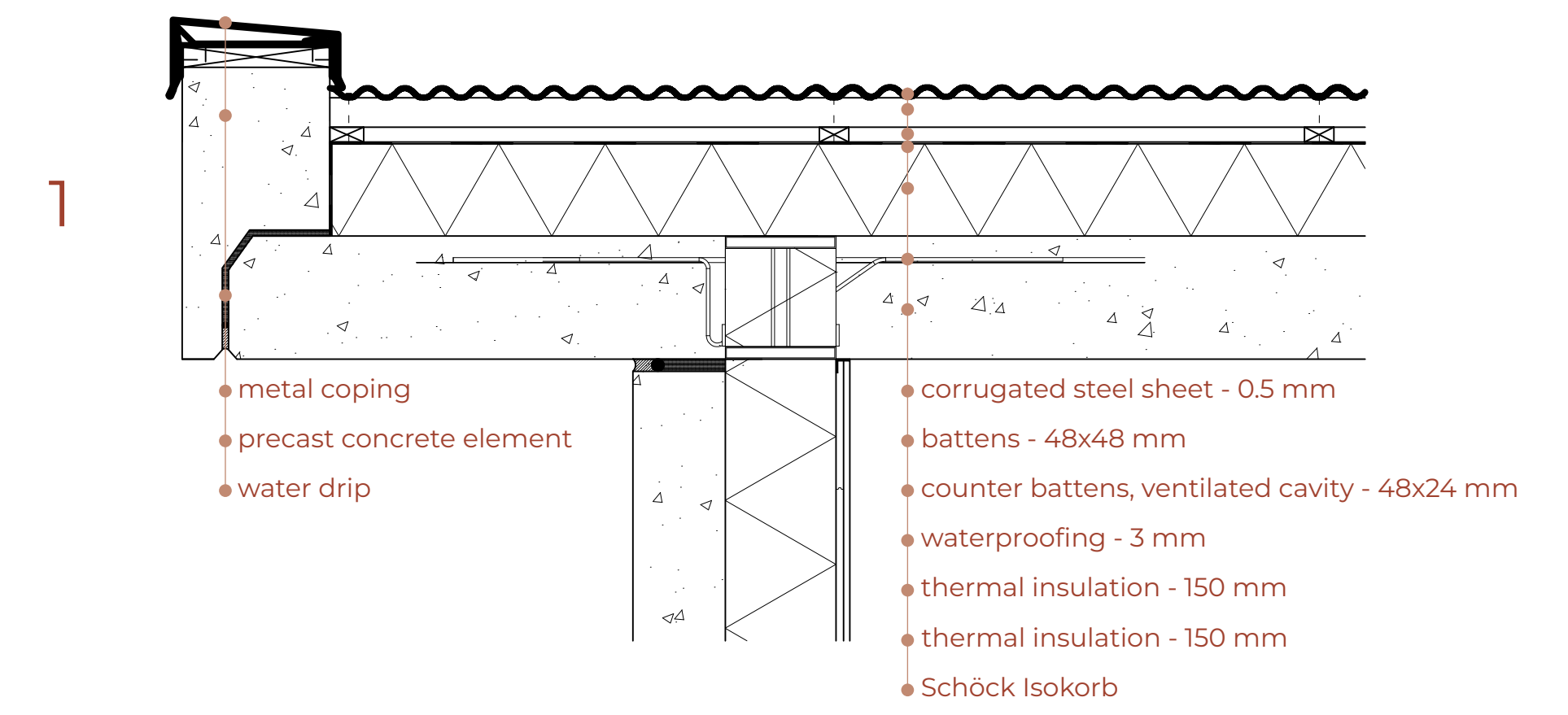
Facade combination drawing



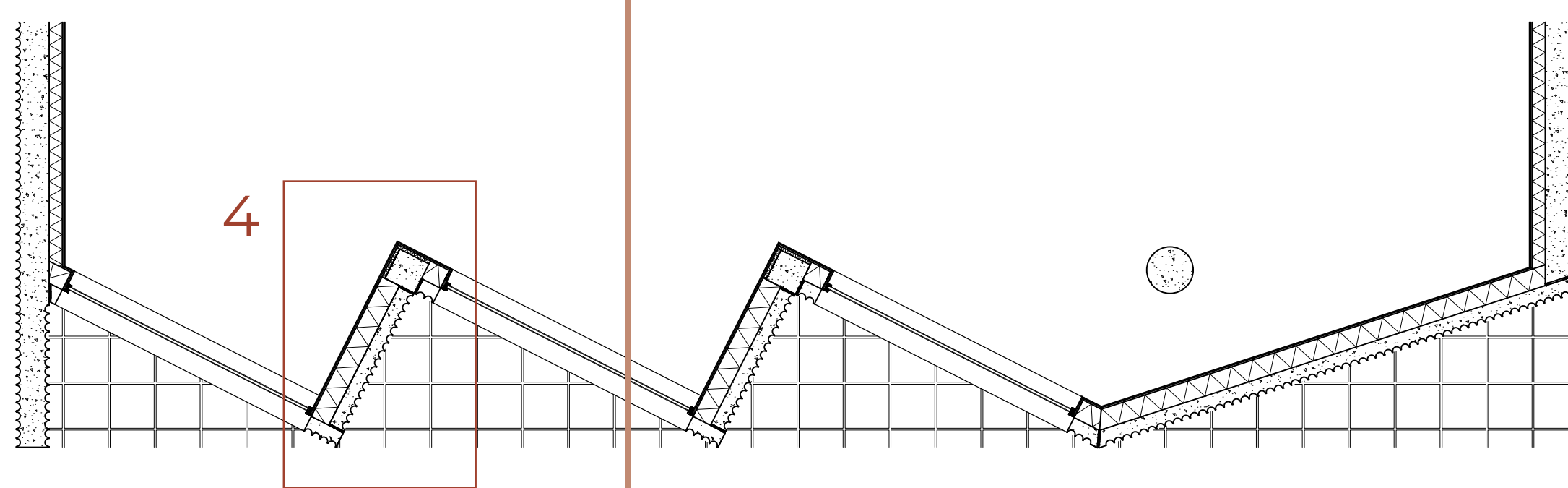
South-west Elevation, 1:50



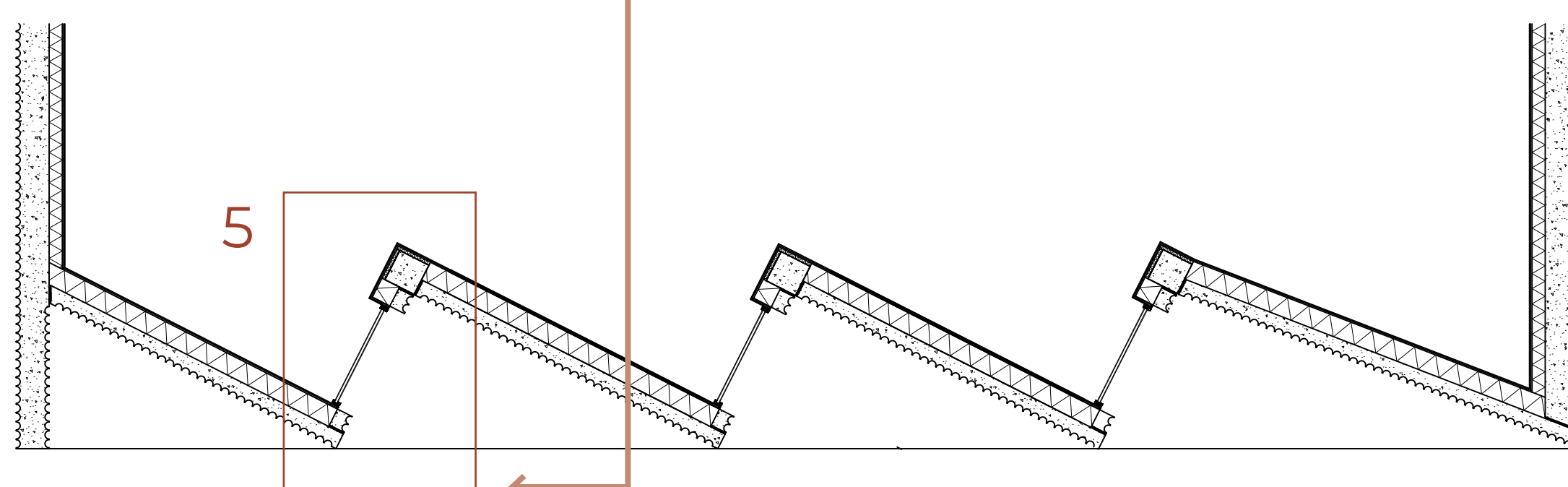
Section, 1:50



Details, 1:10



Ground floor, 1:50



First floor, 1:50