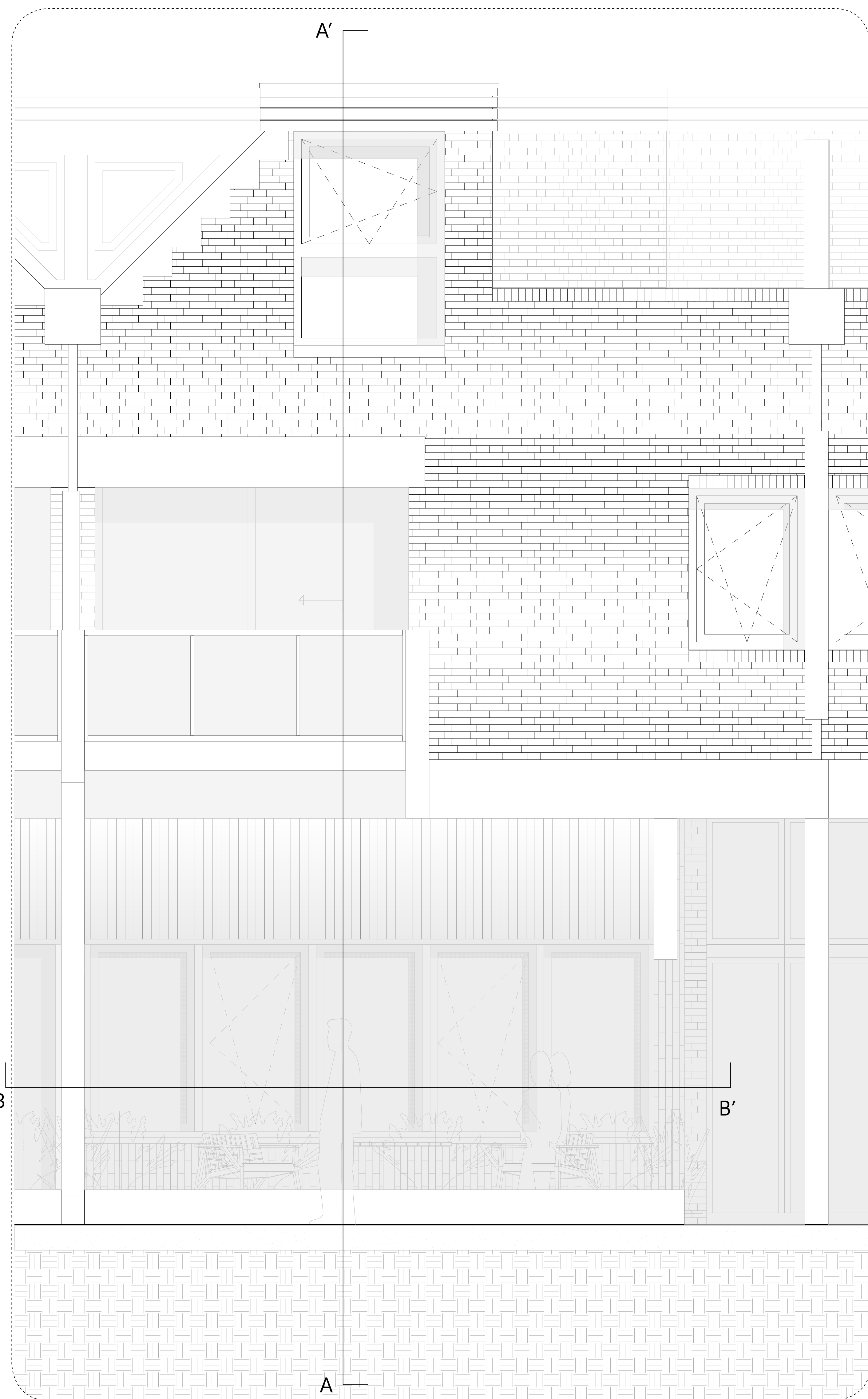
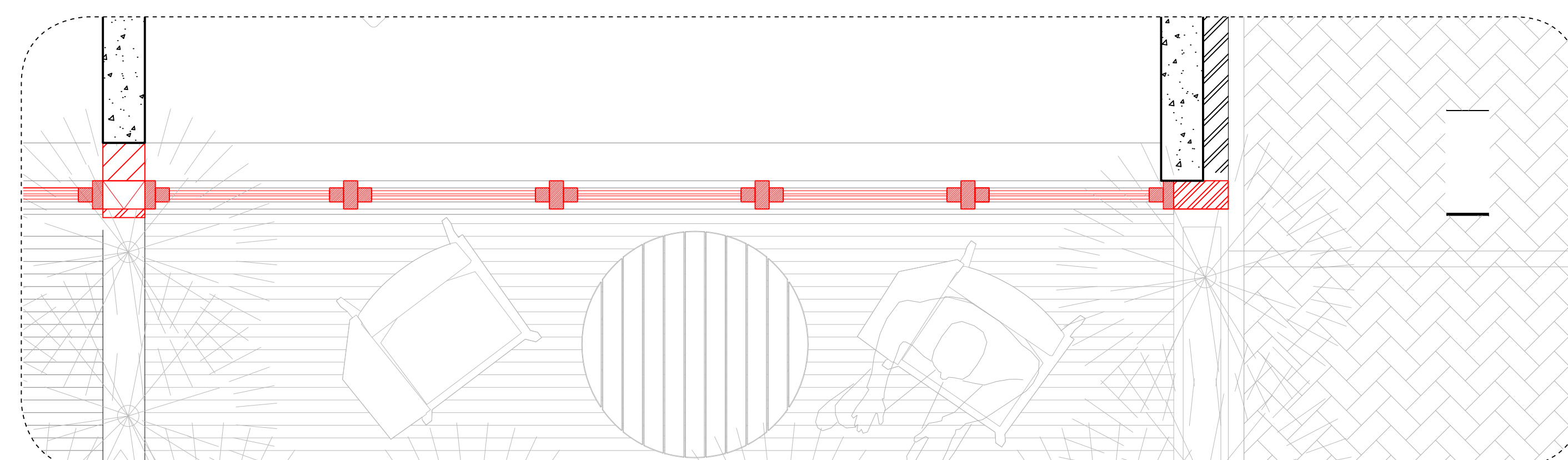


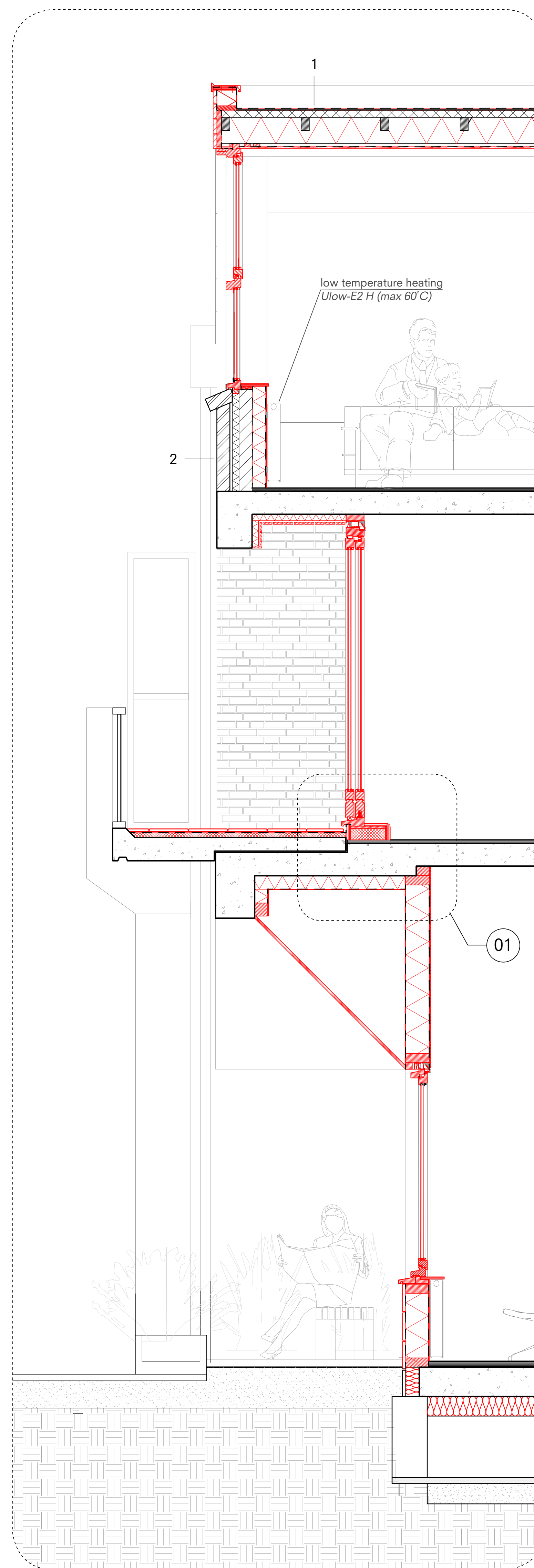
# RENOVATION - FRONT



Elevation frontside  
1:20

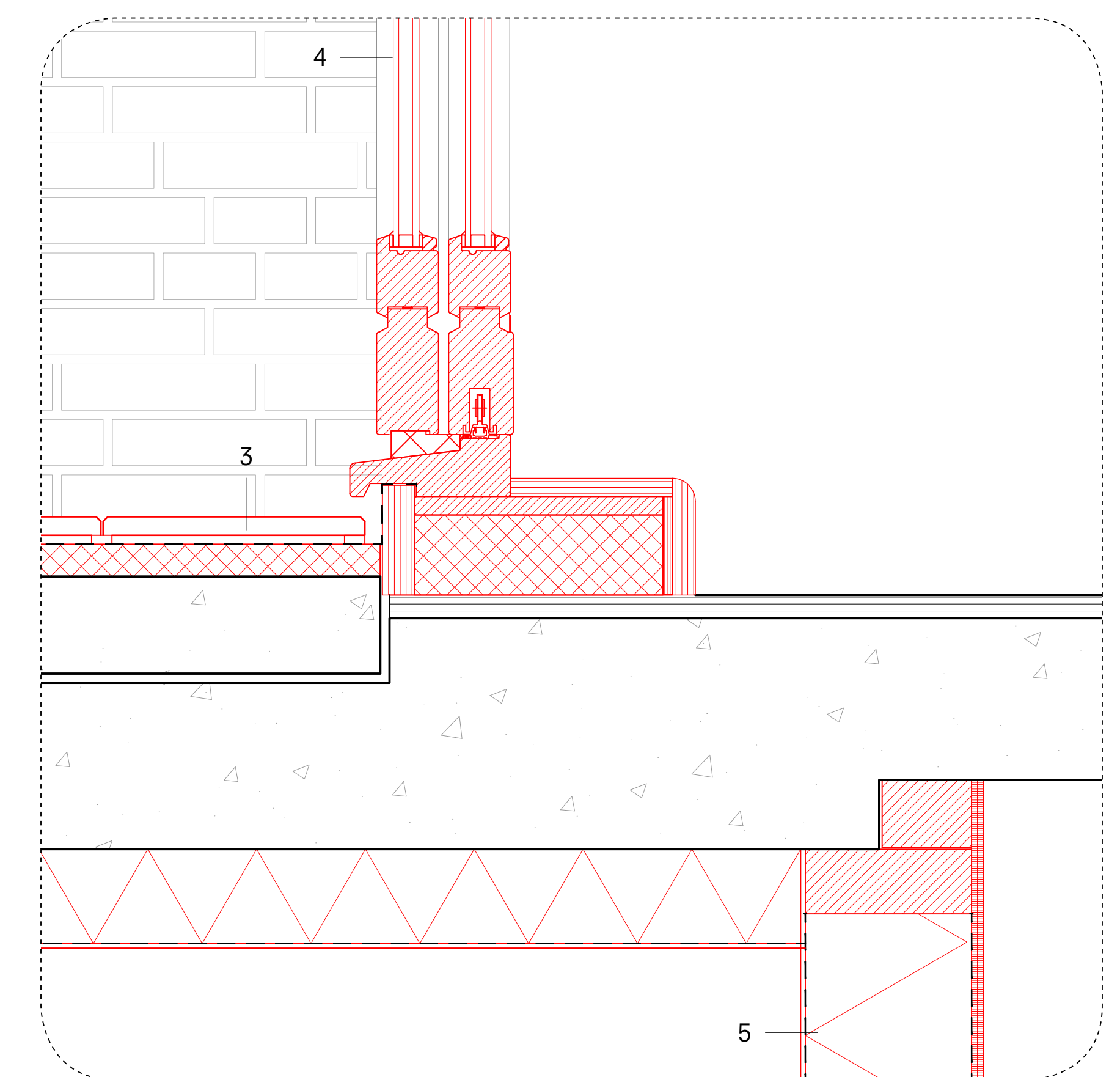


Horizontal section BB'  
1:20



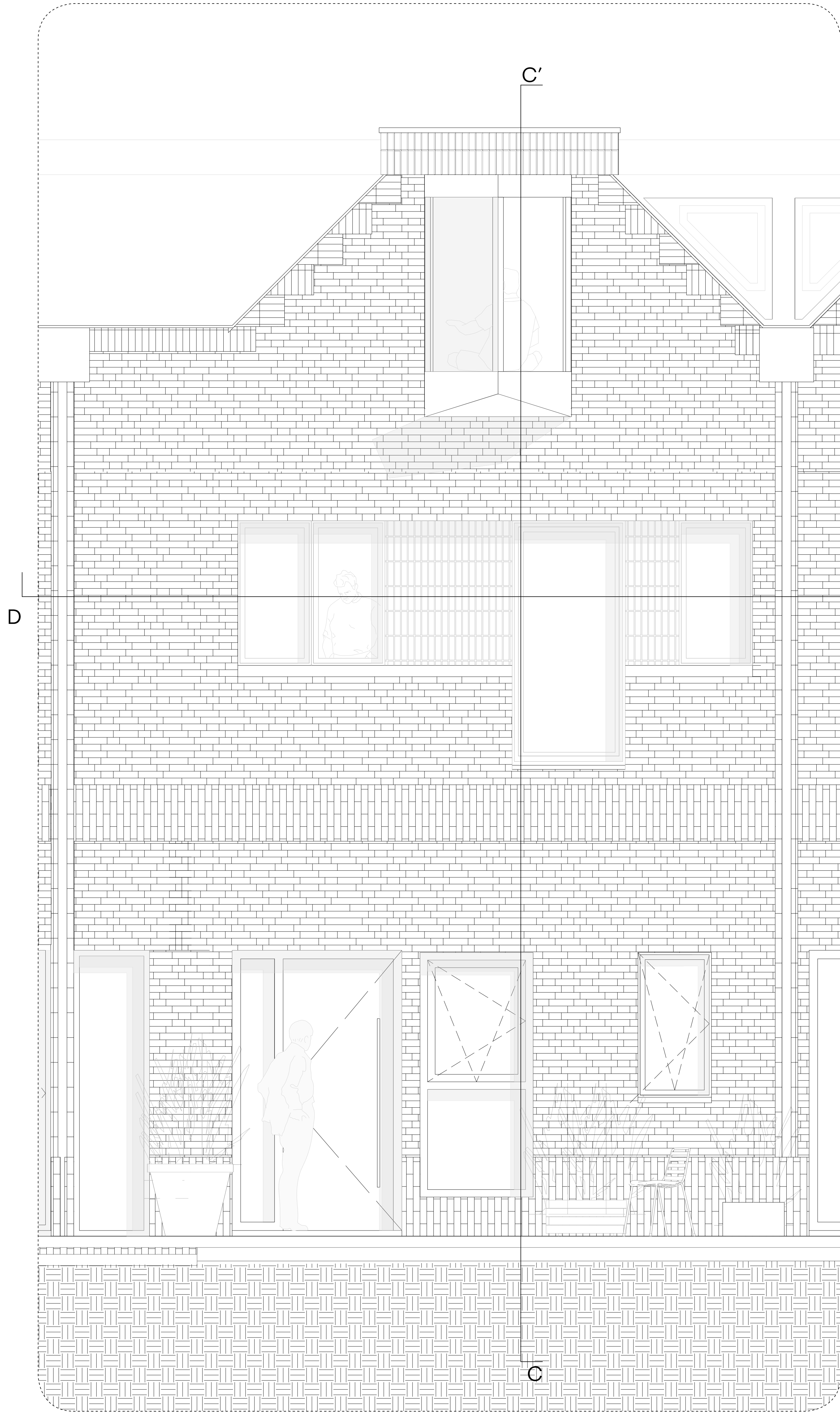
Vertical section AA'  
1:20

- 1 Roofconstruction (RC 10)  
New layer of roofing  
56 mm Opstalán insulation roof boarding (existing)  
63/100 mm Battens (existing) with  
200 mm mineral-wool insulation  
Vapour barrier  
22/50 mm Battens with  
12.5 mm Gypsum plasterboard
- 2 Facade (RC 6,5)  
100 mm Brick 'hardgrauw waal-format' (horizontal  
wild band) (existing)  
20 mm Gavity (existing)  
50 mm Mineral-wool (existing)  
100 mm Sand lime brick (existing)  
100 mm Kooltherm K12, capillary insulation  
5 mm Plaster
- 3 100 mm insulation  
180 mm concrete floor (existing)  
70 mm prefab concrete balcony slab (existing)  
35 mm high quality EPS-insulation  
Vapour barrier  
10/10mm rubber tile support  
20 mm drainage tiles
- 4 Sliding doors with H++ glass, with raised  
EPS-insulated step
- 5 180 mm HSB element  
12.5 mm Gypsum plasterboard

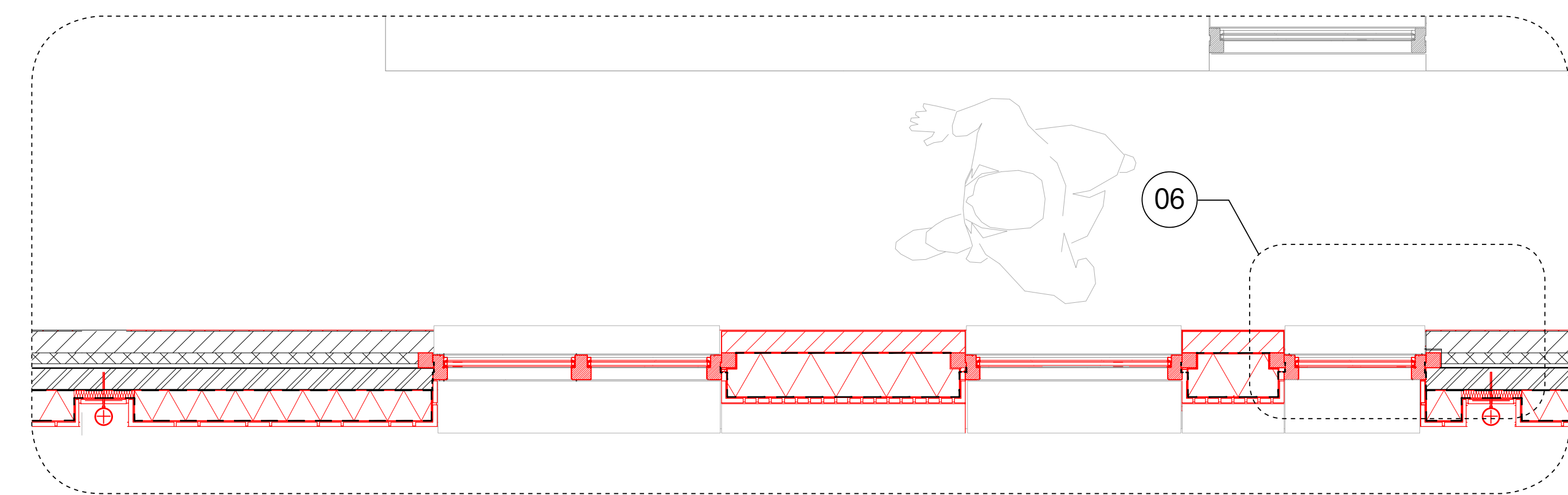


01 Balcony detail  
1:5

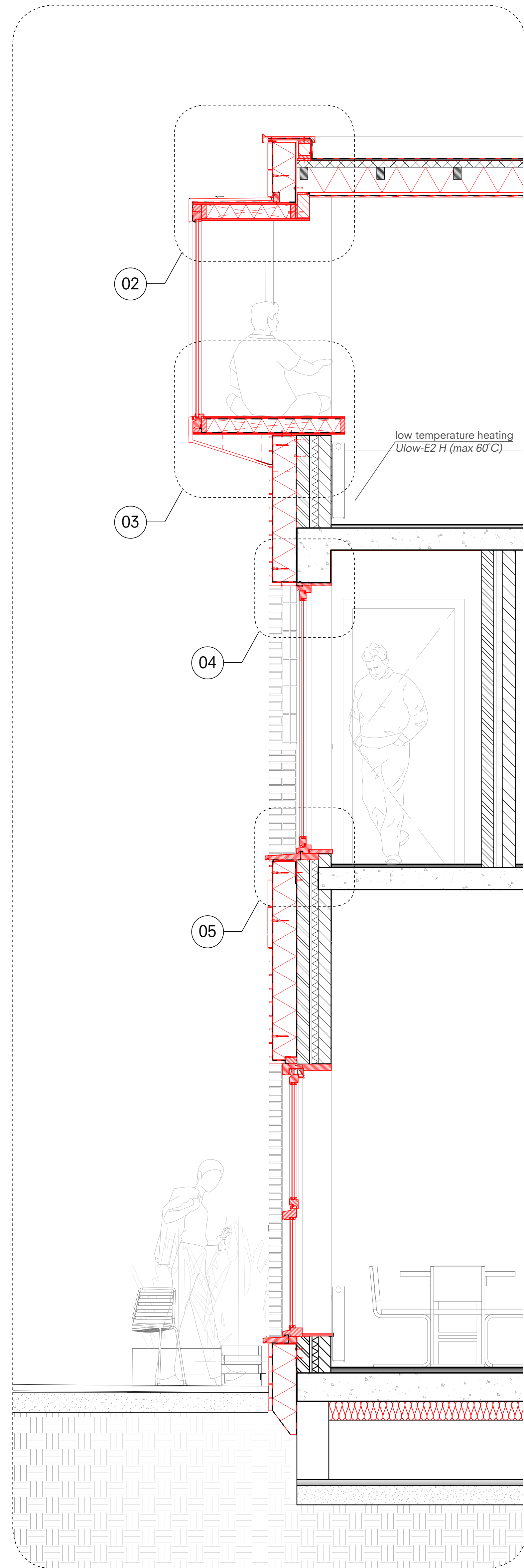
RENOVATION - BACK



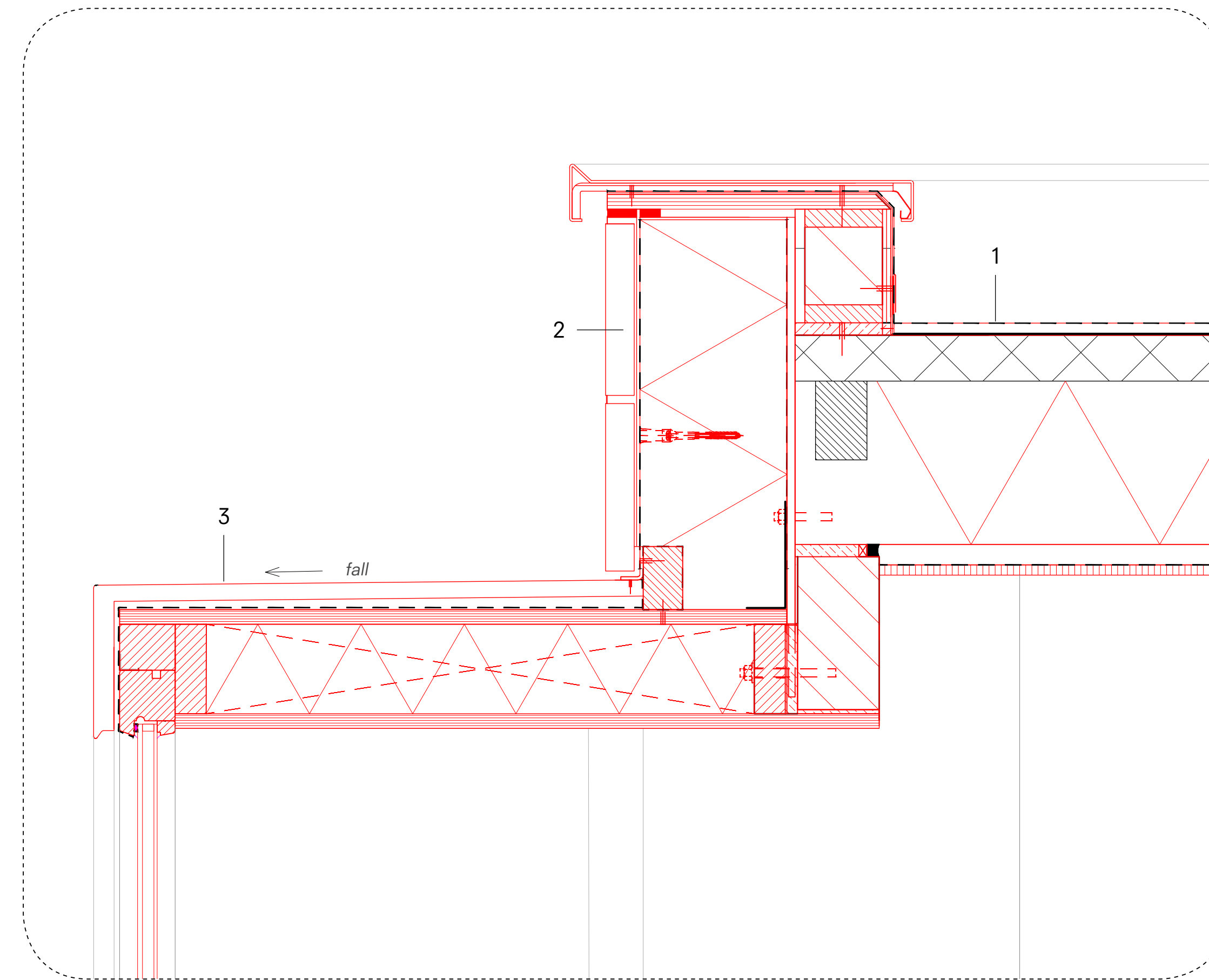
Elevation backside  
1:20



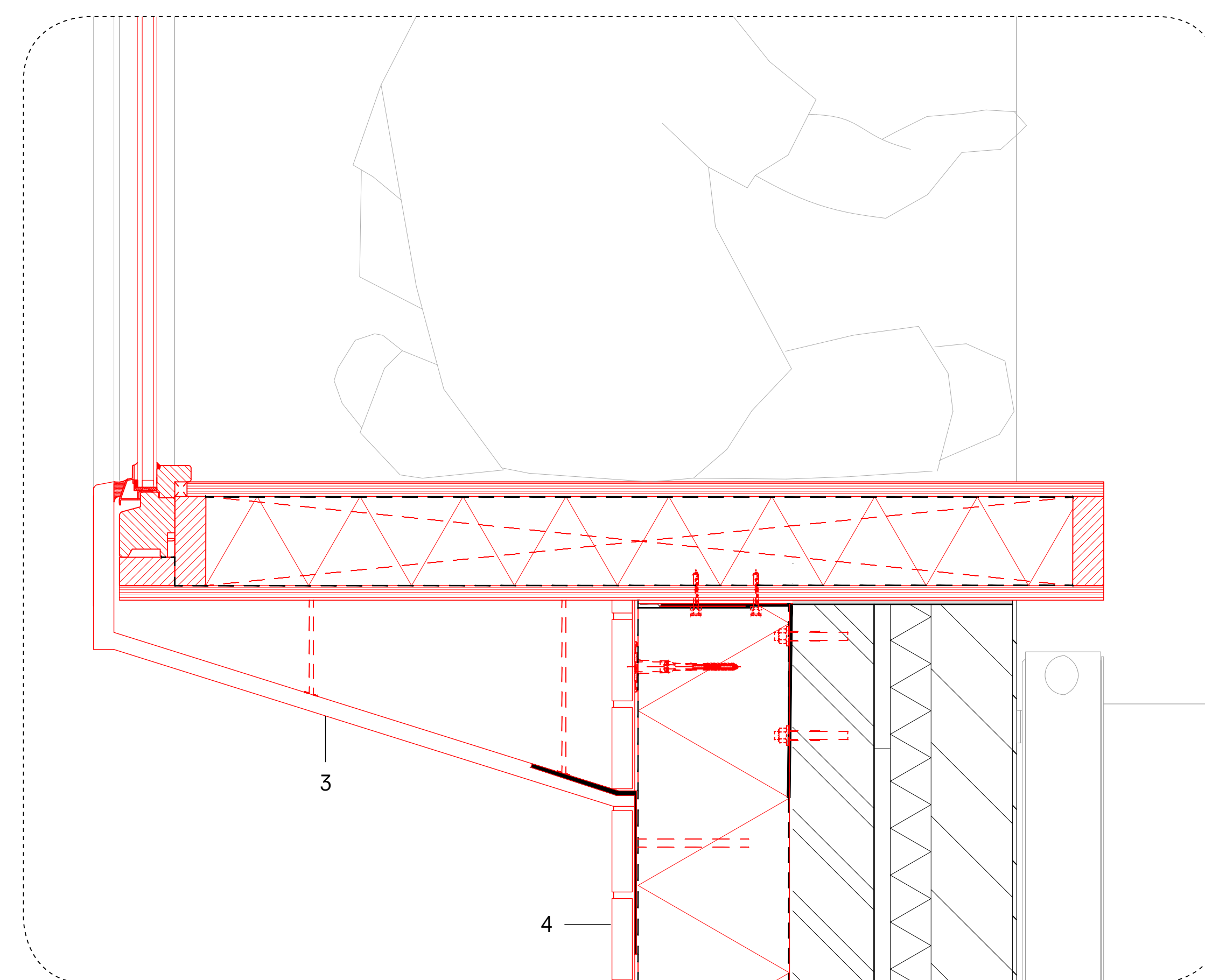
Horizontal section DD'  
1:5



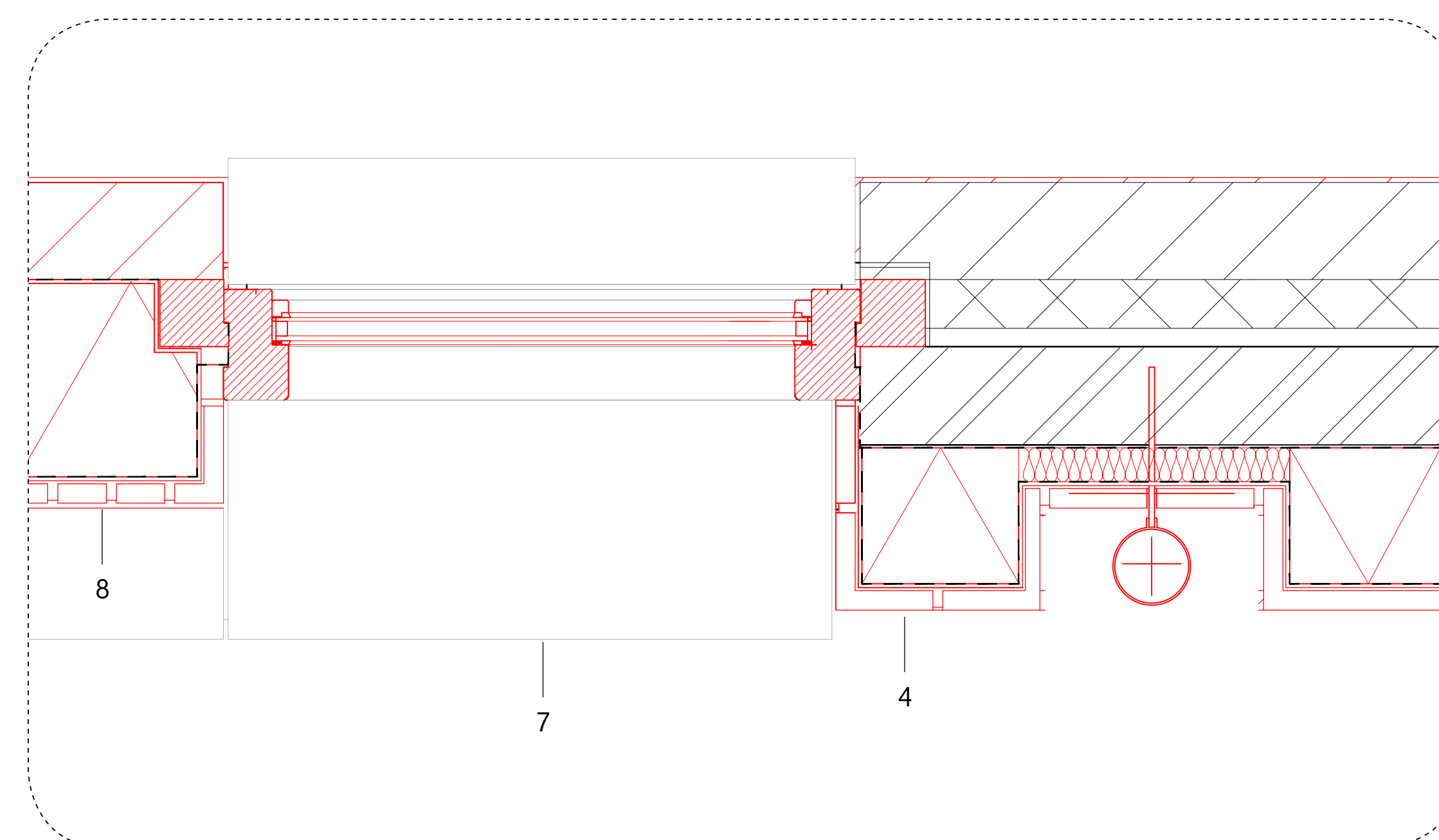
Vertical section CC'  
1:20



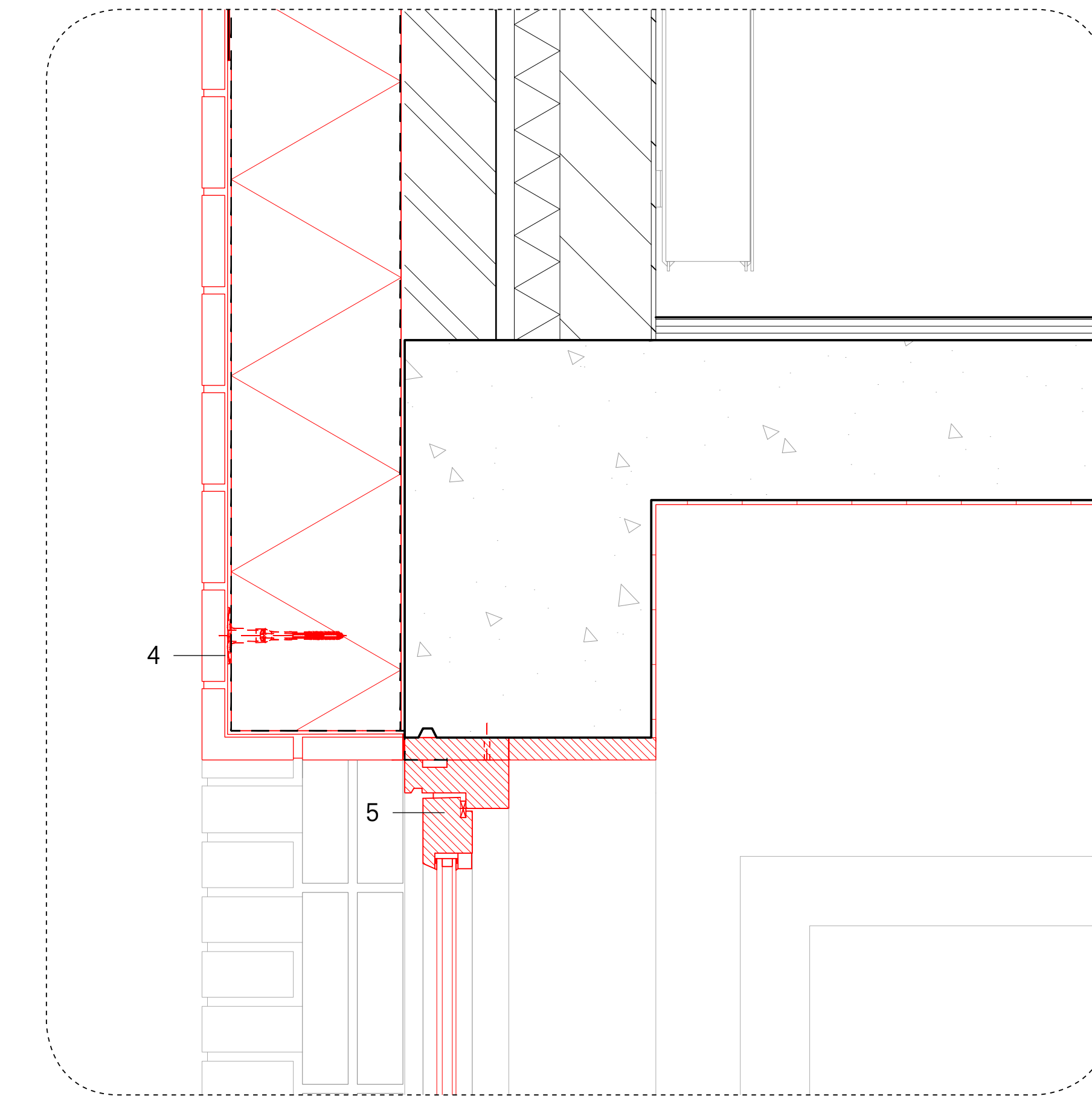
02 Vertical detail  
1:5



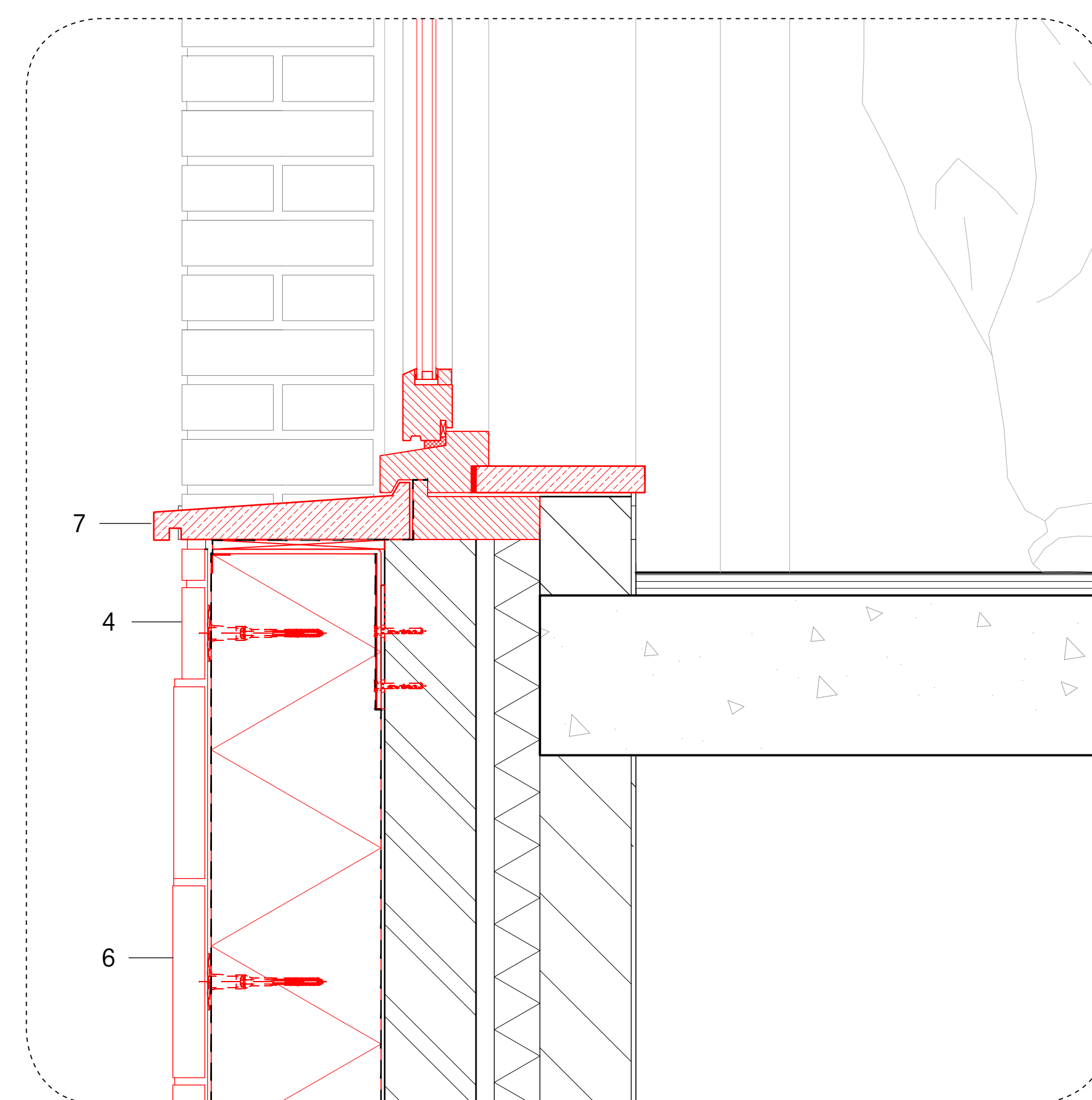
03 Vertical detail  
1:5



06 Horizontal detail HWA - gallery window  
1:5



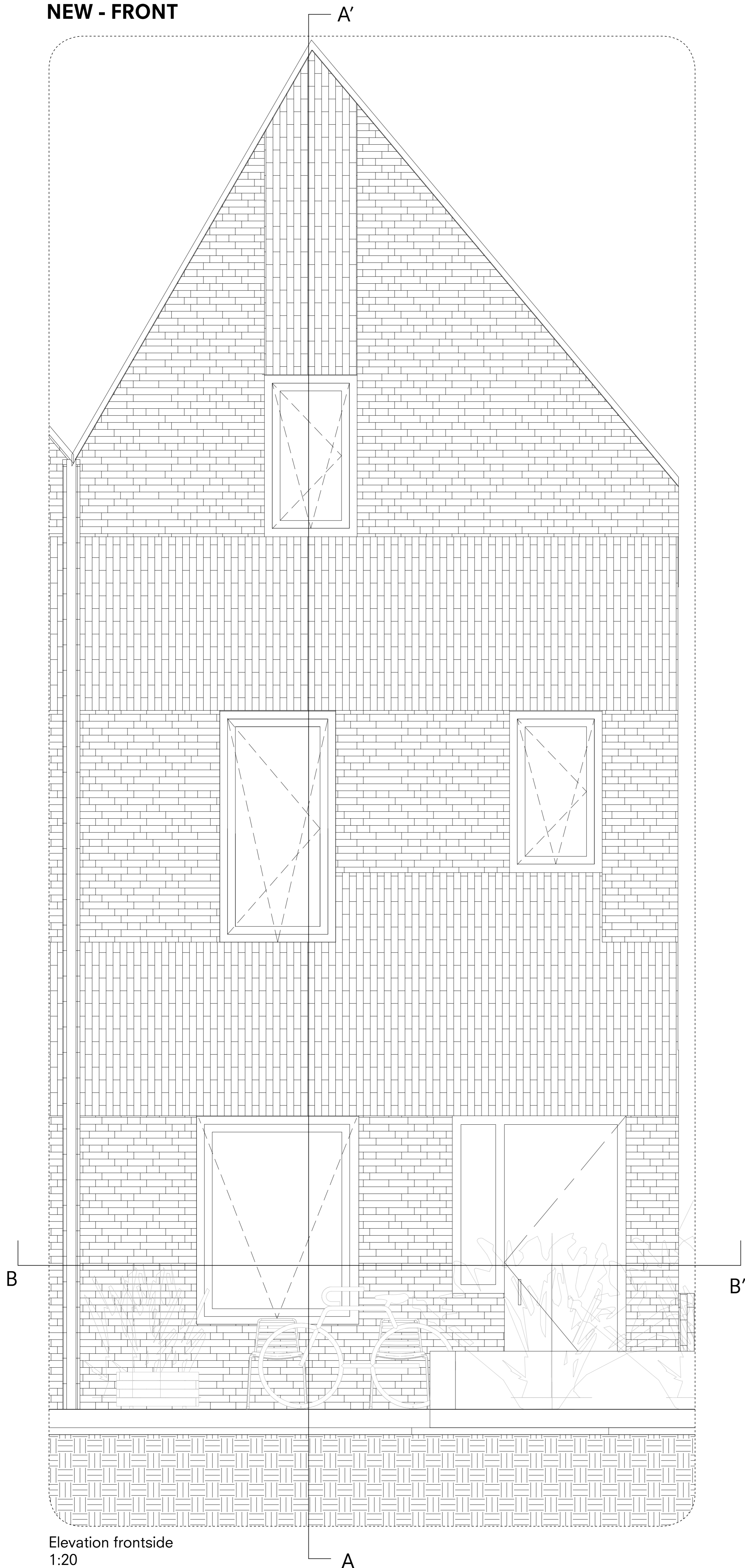
04 Vertical detail  
1:5



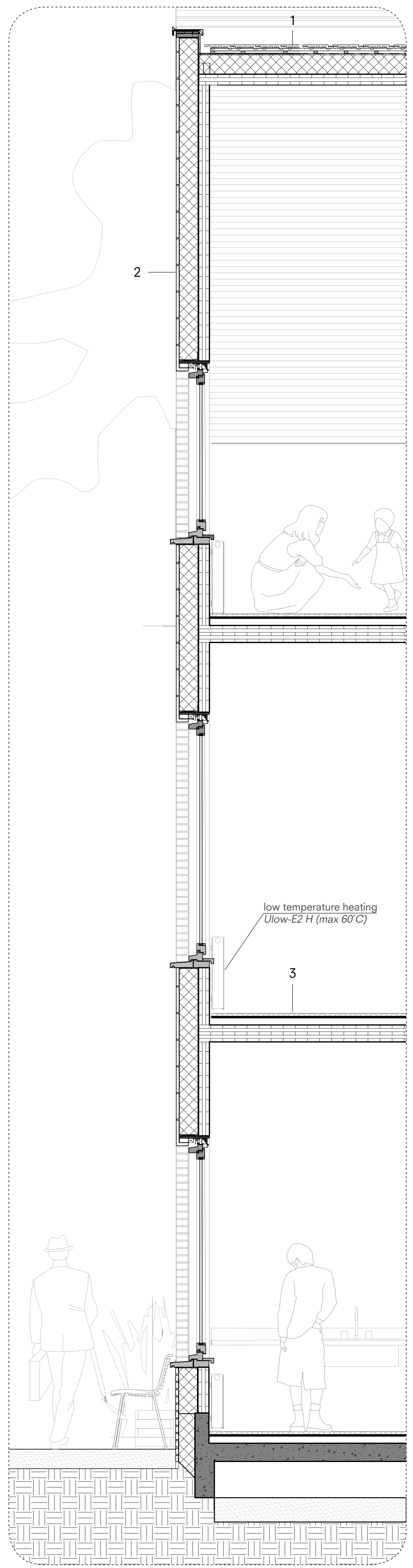
05 Vertical detail  
1:5

- |   |  |   |  |
|---|--|---|--|
| 1 | Roofconstruction (RC 10)<br>New layer of roofing<br>56 mm Opstalan insulation roof boarding (existing)<br>65/100 mm Battens (existing) with<br>200 mm mineral-wool insulation<br>Vapour barrier<br>22/50 mm Battens with<br>12.5 mm Gypsum plasterboard  | 5 | Wooden windowframe<br>double glazing (HR++)  |
| 2 | Eaves<br>20 mm ceramic brick slips<br>(vertical stacked brick bond)<br>190 mm insulation eboard<br>foile   | 6 | Facade (RC 6,5)<br>35 mm Ceramic brick slips (50 x 210) (vertical wild bond)<br>190 mm Insulation (Eboard with anchors in accordance with technical approval)<br>100 mm Brick "hardgrauw waal-format" (horizontal wild bond) (existing)<br>20 mm Gavity (existing)<br>50 mm Mineral-wool (existing)<br>100 mm Sand lime brick (existing)<br>5 mm Plaster |
| 3 | Triangle window<br>double HR+ glass<br>composite finish material concrete<br>(light weighted)  | 7 | Concrete sill<br>Wooden windowframe<br>Double glazing (HR++)   |
| 4 | Facade (RC 6,5)<br>20 mm Ceramic brick slips (50 x 210) (vertical wild bond)<br>150 mm Insulation (Eboard with anchors in accordance with technical approval)<br>100 mm Brick "hardgrauw waal-format" (horizontal wild bond) (existing)<br>20 mm Gavity (existing)<br>50 mm Mineral-wool<br>100 mm Sand lime brick<br>5 mm Plaster | 8 | 20 mm Ceramic brick slips (50 x 210) (vertical stacked bond)<br>150 mm Insulation (Eboard with anchors in accordance with technical approval)<br>100 mm Sand lime brick<br>5 mm Plaster  |

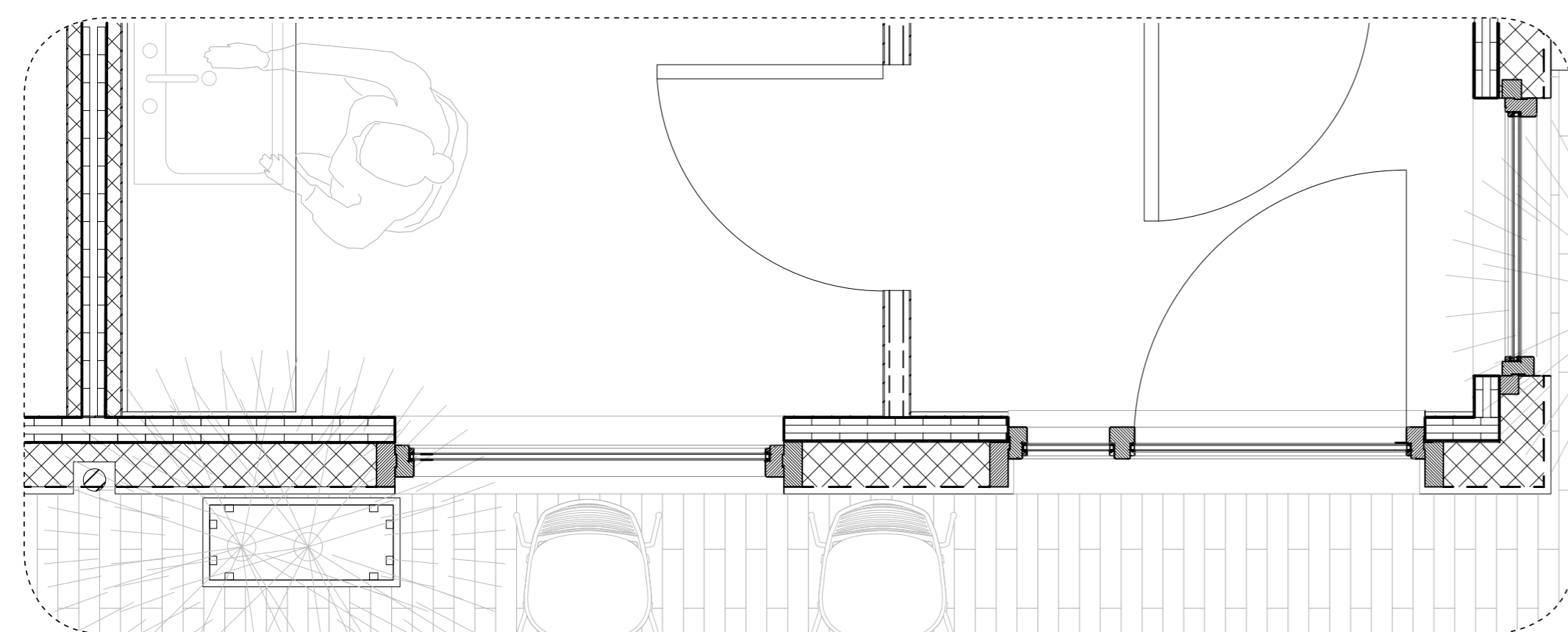
**NEW - FRONT**



Elevation frontside  
1:20



Vertical section AA'  
1:20



Horizontal section BB'  
1:20

- 1 Roof  
Concrete roof tiles, anthracite-coloured  
50/30 mm battens, conter battens  
Vapour barrier  
160 mm insulation (Eboard with anchors in accordance with technical approval)  
90 mm CLT (3s)  
12.5 mm plaster board  
5 mm plaster
- 2 Facade  
20 mm Ceramic brick slips (50 x 210)  
160 mm Insulation (Eboard with anchors in accordance with technical approval)  
90 mm CLT (3s)  
12.5 mm Plaster board  
5 mm Plaster
- 3 Floor  
20 mm floor finish  
60 mm Sound insulation  
150 mm CLT (5s)