

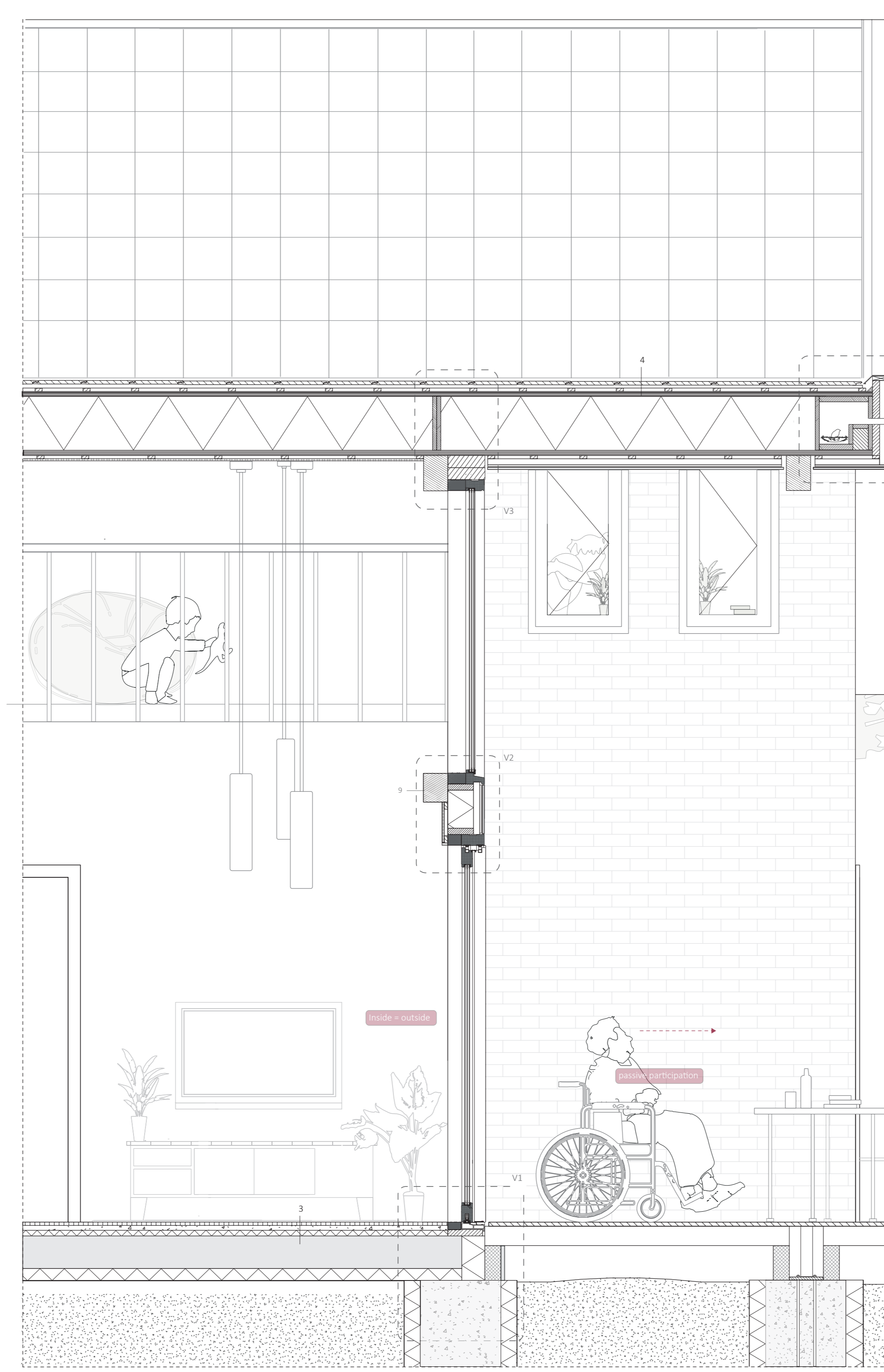
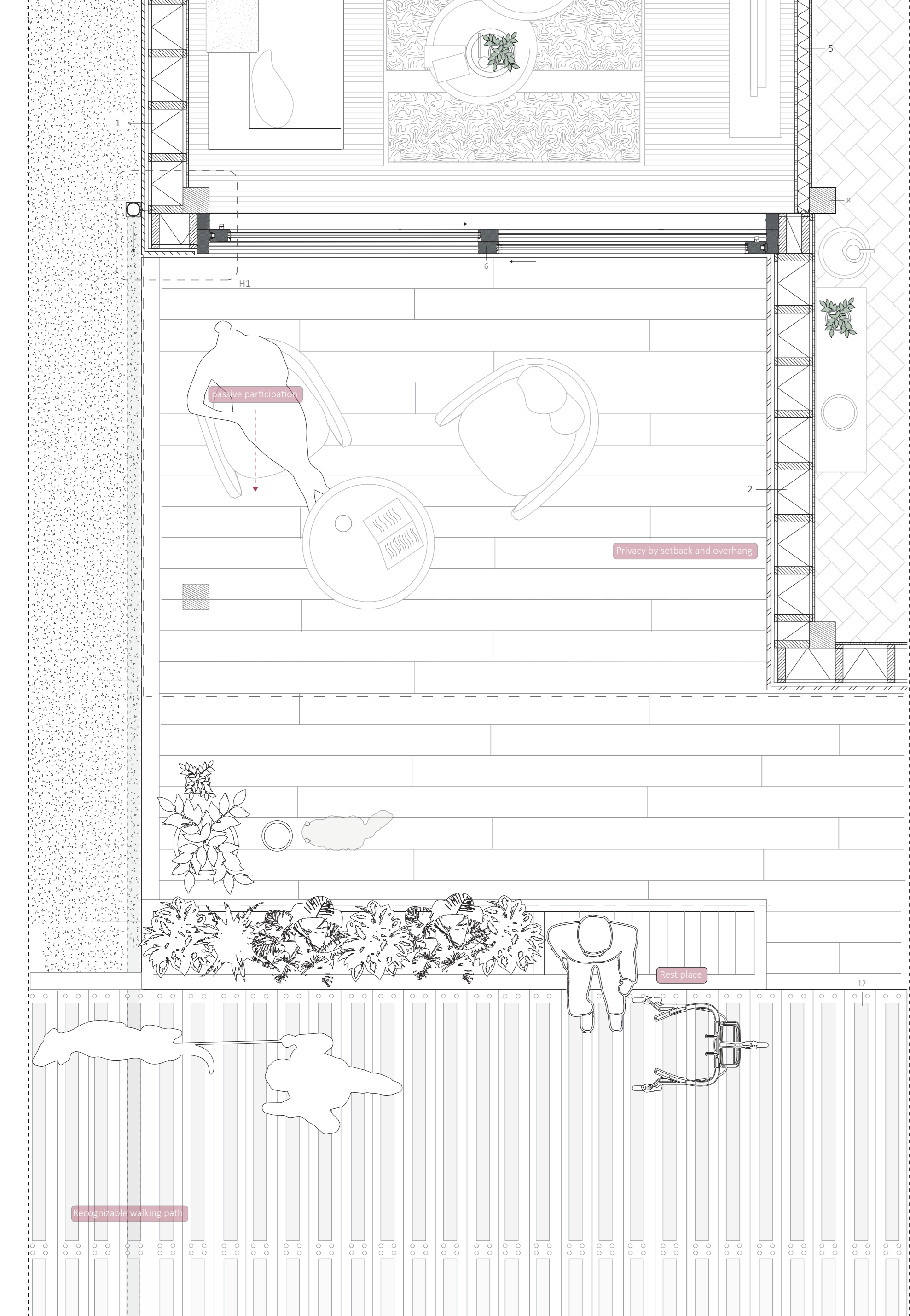
FACADE FRAGMENT

PUBLIC SIDE



HORIZONTAL SECTION BB

Scale 1:20

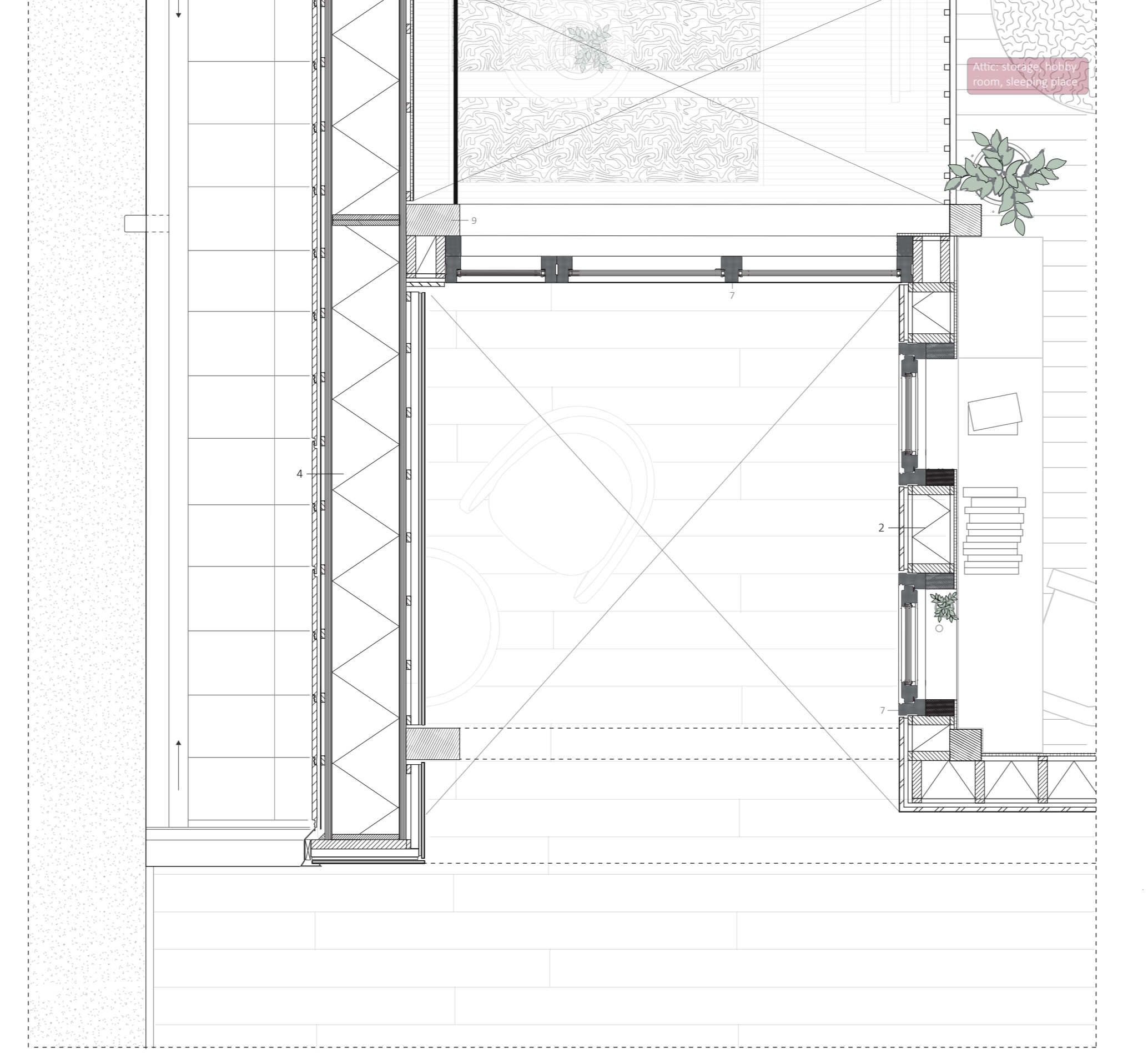


VERTICAL SECTION AA

Scale 1:20

HORIZONTAL SECTION CC

Scale 1:20

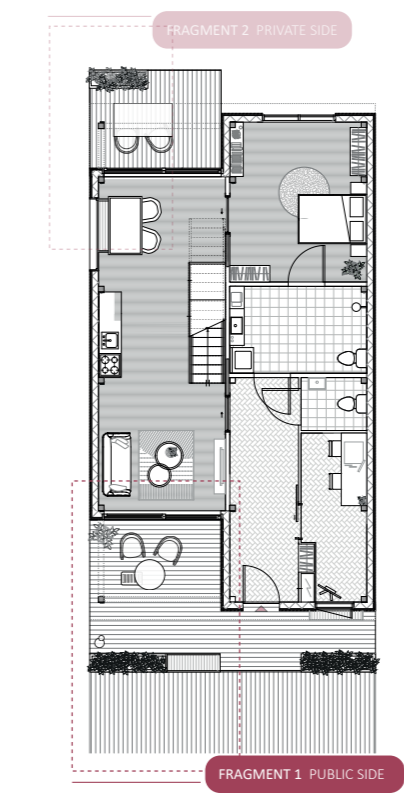


DETAILED INFORMATION

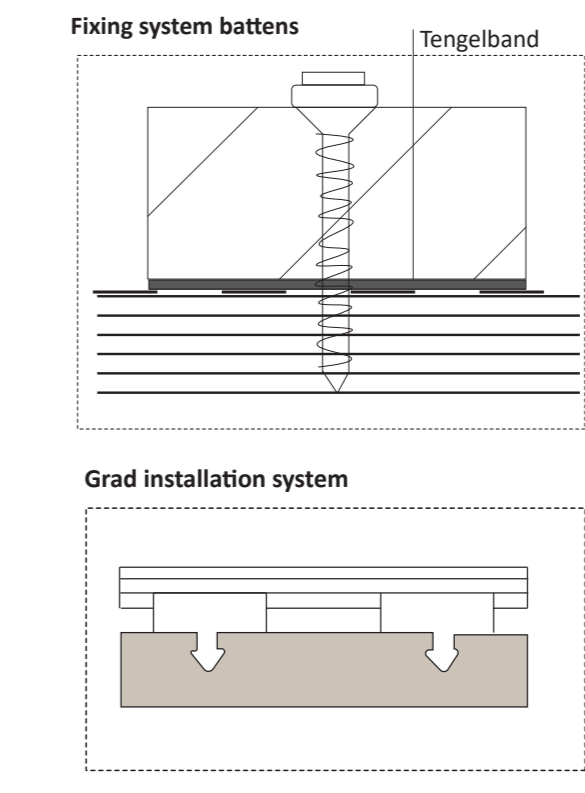
- Facade construction (288 mm)**
 - Plasterboard with painting (12 mm)
 - Horizontal battens (20 mm)
 - Vapor barrier
 - Insulation 180 mm (Rc= 6,0 m2K/W)
 - Water resistant / vapor permeable foil
 - Vertical trussing and horizontal battening (2 x 20 mm) (h.o.h. 400 mm)
 - Grad profile mounting system (18 mm)
 - Bamboo cladding (18 mm) (Moso Bamboo Xtreme)
- Facade construction (2)**
 - Plasterboard with painting (12 mm)
 - Horizontal battens (20 mm)
 - Vapor barrier
 - Insulation 180 mm (Rc= 6,0 m2K/W)
 - Water resistant / vapor permeable foil
 - Vertical trussing (20 mm) (h.o.h. 400 mm)
 - OSB plate material (18 mm)
 - Stone cycling waste baste slips
- Floor construction (360 mm)**
 - Floor finishing (20 mm)
 - Cast-in-place concrete with underfloor heating (30 mm)
 - Hard insulation (35 mm)
 - Hollow core slab floor (200 mm)
 - Hard insulation (75 mm)
- Roof construction (406 mm)**
 - Flat concrete roof with solar roof tiles (Solinso)
 - Horizontal and vertical battens (2 x 20 mm)
 - Epdm foil
 - Closed kerto ripa roof with insulation (225 mm + 25 mm)
 - Rc = 7 m2K/W
 - Water resistant dampresistant foil
 - Wooden battens with met EPDM foam joint paint (20 mm)
 - Rockpanel plate material with rockpanel mounting system (12 + 38 mmmm)

- Metal studs**
Metal profile with sound insulation and plating
- Wooden sliding doors**
Window frame size 67 x 138 mm
Double sliding door
- Wooden windowframes**
Window frame size 67 x 138 mm
- Column**
150 x 150 mm
- Beam**
150 x 180 mm
- Led light**
To enlighten the wooden path
- Railing**
- Anti-slip**
In two colors, to highlight two traffic lanes on the wooden path
- Wadi**
Rainwater collection, extra collection during large peak rainfall
Cooling of the living environment
Increase biodiversity
Playground during drought
- Place for pipes**
Sewage system
Common grey water system

LOCATION



FIXING SYSTEMS



HORIZONTAL AND VERTICAL DETAILS

Scale 1:10

