

**Predicting by-product gradients of baker's yeast production at industrial scale
A practical simulation approach**

Hajian, Christopher Sarkizi Shams; Haringa, Cees; Noorman, Henk; Takors, Ralf

DOI

[10.3390/pr8121554](https://doi.org/10.3390/pr8121554)

Publication date

2020

Document Version

Final published version

Published in

Processes

Citation (APA)

Hajian, C. S. S., Haringa, C., Noorman, H., & Takors, R. (2020). Predicting by-product gradients of baker's yeast production at industrial scale: A practical simulation approach. *Processes*, 8(12), 1-19. Article 1554. <https://doi.org/10.3390/pr8121554>

Important note

To cite this publication, please use the final published version (if applicable).
Please check the document version above.

Copyright

Other than for strictly personal use, it is not permitted to download, forward or distribute the text or part of it, without the consent of the author(s) and/or copyright holder(s), unless the work is under an open content license such as Creative Commons.

Takedown policy

Please contact us and provide details if you believe this document breaches copyrights.
We will remove access to the work immediately and investigate your claim.

Article

Predicting By-Product Gradients of Baker's Yeast Production at Industrial Scale: A Practical Simulation Approach

Christopher Sarkizi Shams Hajian ¹ , Cees Haringa ², Henk Noorman ^{2,3} and Ralf Takors ^{1,*}

¹ Institute of Biochemical Engineering, University of Stuttgart, 70569 Stuttgart, Germany; c.sarkizi@ibvt.uni-stuttgart.de

² DSM Biotechnology Center, 2613 AX Delft, The Netherlands; cees.haringa@dsm.com (C.H.); henk.noorman@dsm.com (H.N.)

³ Department of Biotechnology, Delft University of Technology, 2628 CD Delft, The Netherlands

* Correspondence: takors@ibvt.uni-stuttgart.de

Received: 21 October 2020; Accepted: 25 November 2020; Published: 27 November 2020



Abstract: Scaling up bioprocesses is one of the most crucial steps in the commercialization of bioproducts. While it is known that concentration and shear rate gradients occur at larger scales, it is often too risky, if feasible at all, to conduct validation experiments at such scales. Using computational fluid dynamics equipped with mechanistic biochemical engineering knowledge of the process, it is possible to simulate such gradients. In this work, concentration profiles for the by-products of baker's yeast production are investigated. By applying a mechanistic black-box model, concentration heterogeneities for oxygen, glucose, ethanol, and carbon dioxide are evaluated. The results suggest that, although at low concentrations, ethanol is consumed in more than 90% of the tank volume, which prevents cell starvation, even when glucose is virtually depleted. Moreover, long exposure to high dissolved carbon dioxide levels is predicted. Two biomass concentrations, i.e., 10 and 25 g/L, are considered where, in the former, ethanol production is solely because of overflow metabolism while, in the latter, 10% of the ethanol formation is due to dissolved oxygen limitation. This method facilitates the prediction of the living conditions of the microorganism and its utilization to address the limitations via change of strain or bioreactor design or operation conditions. The outcome can also be of value to design a representative scale-down reactor to facilitate strain studies.

Keywords: scale-up; scale-down; computational fluid dynamics; *Saccharomyces cerevisiae*; mechanistic kinetic model; bioreactor; concentration gradients; digital twin; bioprocess engineering

1. Introduction

Bioprocesses are applied for the production of a vast spectrum of commodities, from food and pharmaceuticals to bioplastic and biofuel. Although different from their chemical counterparts, transferring promising lab approaches to industrial applications is a major challenge too. The problem lies within the different scales of lab, pilot, and industrial bioreactors. Whereas, ideally, mixed homogenous conditions are easily realized at lab scale, economic and physical constraints prevent the establishment of such ideal conditions in industrial tanks. As a result, gradients of limiting substrate concentrations, by-products, pH, temperature, and shear rates are formed inevitably. Circulating microorganisms in stirred and gassed large-scale tanks respond to the permanently changing microenvironmental conditions, finally causing uncertainty of process performance, possibly deteriorating key TRY criteria (titer, rate, yield) [1–6].

Different approaches to addressing such issues have been studied by bioreactor design experts [7–12]. The investigation of cellular interaction with substrate gradients has been the basis

of numerous studies. Often, deteriorating TRY values have been reported [13,14] but there are also occasional observations of improved performance values [15]. In particular, *Saccharomyces cerevisiae* was found to respond to fluctuating conditions with improved viability [16], adapted cAMP-mediated metabolism [17–19], and global regulation [20,21]. However, most of these investigations were performed at laboratory scale, mimicking industrial-scale conditions. Real industrial-scale data, important for validation, are rare. Accordingly, researchers have been employing computational fluid dynamics (CFD) combined with metabolic models with different resolutions to shed light on gradients in the bioreactor that take place at the interface of various physical and biological phenomena [6,22–25]. It is worth mentioning that shear gradients may have a significant effect on shear sensitive hosts. Simulating shear fields and calculating the frequencies of cellular exposure may be a highly valuable tool for future applications to investigate this particular large-scale impact [26].

Saccharomyces cerevisiae strains are applied for a wide range of processes, from the food industry [27–31] and bulk chemical production [32–37] to the pharmaceutical industry [15]. These products are manufactured in large bioreactor scales, where gradients cannot be avoided. As one of the workhorses of industrial biotechnology, this yeast is well investigated [38,39], and key traits of the “Crabtree positive” strains [40–45] are thoroughly studied. One feature is the overflow production of ethanol under aerobic conditions, mirroring how *S. cerevisiae* consumes more glucose than it can metabolize. [46–48]. Under anaerobic conditions *S. cerevisiae* is known to consume ethanol [49]. Apparently, such traits may gain importance under varying microenvironmental conditions affecting TRY values and effecting population differentiation [50]. Interesting short- and long-term Crabtree effects have been observed [44] that create population responses at different timescales. Furthermore, stress exposure may cause growth phenotypes different from the well-reported Monod-type kinetics using substrate supply as the growth limiting impact. To this end, obtaining information regarding the surroundings of the cell will help to identify the triggers that could set off the stress responses [51,52], finally yielding further improved prediction of large-scale performance of the yeast.

The mathematical framework requires the joint use of CFD with microbial kinetics. Whereas the first is applied to predict hydrodynamics and mass transfer in large tanks, the latter describes the cellular phenotype which is dominated by metabolic models [53–57]. The effects interact and are both needed to predict gradients in large-scale reactors. However, recently, efforts have been made to integrate multiple levels of cellular regulation linking metabolism with enzyme activities [9] and gene expression [6]. The integration of these hierarchical control levels expands the timescales of cellular response severely [6,21,58–61], which causes extra computational burden, challenging conventional simulation capacities. With this in mind, such biokinetic models should be linked to CFD that describe the targeted phenotype with the least computational effort.

Nowadays, CFD is one of the must-have tools for process development and troubleshooting [5,62–65]. It provides the possibility to incorporate the main aspects of the process and yield further insights into the conditions inside the bioreactor. Because of the dynamic environment faced by the cells in large-scale bioreactors, different responses of cells will give rise to a heterogeneous population, which will result in heterogeneities in substrate/by-product gradients and/or in the cell population [46,48,66,67]. Setting up a simulation by itself needs to be purpose-driven for engineering applications. The computational resources and strategies should be allocated in a way that contributes the most to the goal of the project at hand.

Currently, Reynolds-averaged Navier–Stokes (RANS) methods are the most common way to model hydrodynamics including turbulence. However, more delicate methods are surfacing [68–70], with drastic changes in software and hardware requirements. Most of the bioproducts are produced in aerated fermenters. Moreover, multiphase problems are addressed with numerous methods. On the one hand, Euler–Euler approaches are used for considering the impact of the ever-changing environment on cells [71]. On the other hand, one may implement the Euler–Lagrange approach [72], for instance, if individual microorganisms are incorporated, typically as massless particles.

In this work, CFD is coupled to a mechanistic biokinetic model to predict concentration gradients in a large-scale bioreactor. The process of interest is the production of baker's yeast, *Saccharomyces cerevisiae*. A detailed assessment in terms of concentration gradients is undertaken. Aspects of biokinetics, mass transfer, and thermodynamics of the bioreactor are well characterized, and fundamentals are well established. Together with experimental validation, they prove to be an effective tool to shed light on the gradients within a bioreactor at industrial scale. By efficiently combining CFD with simple yet practical models, the assumption of non-limiting dissolved O_2 (dO_2) is evaluated. In addition to this, dissolved CO_2 (dCO_2) inhibition is known to occur at large scales [4,73] and is addressed within this work. Large-scale processes are suspected to lack real starvation in the case of overflow metabolism products that are formed near the feeding point and which are then re-consumed at the other end of the tank [4].

2. Materials and Methods

All pre-processing, solution, and post-processing were carried out with Ansys® Academic Research Workbench (2019 R1, Ansys, Canonsburg, PA, USA).

2.1. Geometry and Mesh

The reactor dimensions were based on the schematics available in the literature [25,74], as illustrated in Figure 1. For CFD simulation, a mesh with ~2.5 million hexahedron cells was generated and evaluated for turbulent kinetic energy (k) and dissipation of turbulent kinetic energy (ϵ) and velocity profile at the impeller heights, as discussed in the work of Haringa et al. [25].

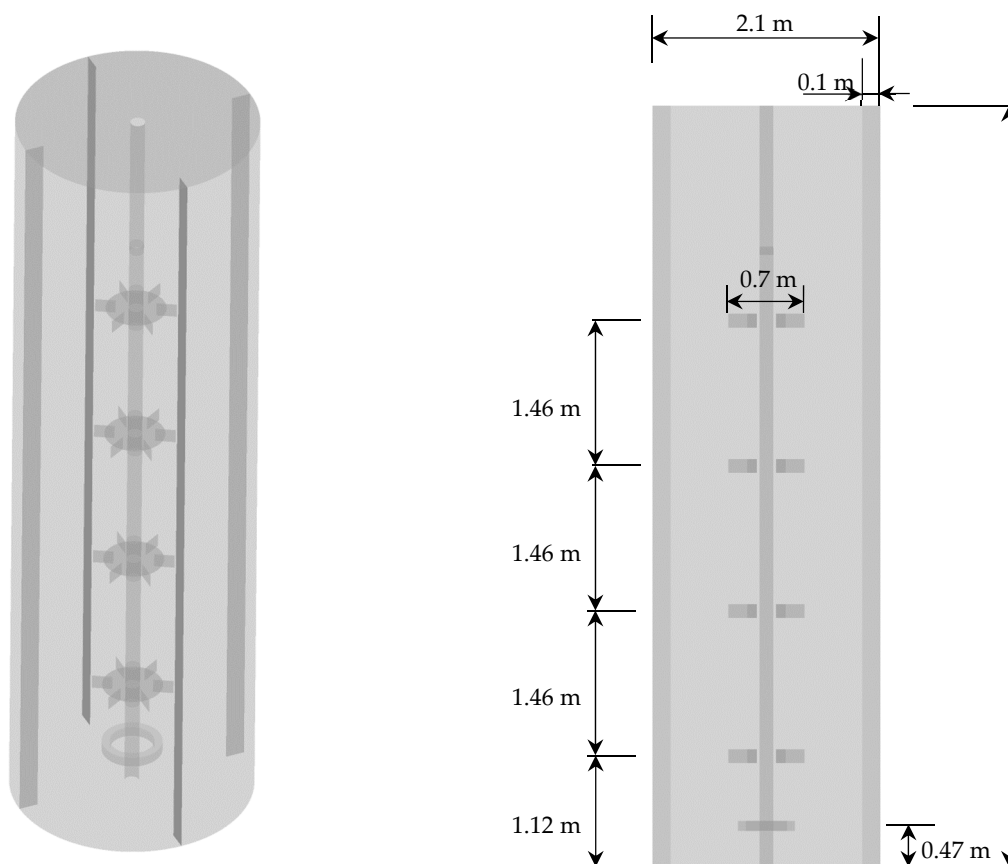


Figure 1. Stavanger bioreactor configuration and dimensions.

2.2. CFD Setup

A Eulerian model with two phases was used. Turbulence was modeled with realizable $k-\epsilon$ using mixture formulation for calculating turbulence of the gas phase [75]. To investigate the concentration of chemical species, namely glucose, O_2 , CO_2 , ethanol, every phase was defined as a mixture. The physical properties of the liquid phase were approximated as water with volume weighted mixing law for density calculation. The gas phase was assumed as ideal gas considering an average bubble diameter 0.009 m as calculated by Haringa et al. [25]. With this assumption of single bubble size, the swarm coefficient needed to be set to -1.2 in the grace drag model [76] to reproduce the gas flow regime at the bottom impeller. Surface tension was set to that of the air–water system and was 0.072 N/m. Other interphase forces were assumed not to impose significant impacts according to Scargiali et al. [77].

Boundary conditions for walls were set with no-slip conditions for liquid phase and free slip for gas phase other than the impellers, where the no-slip conditions also apply for the gas phase to improve the reproduction of the vortices behind the impellers, as suggested by Haringa et al. [25]. Gas enters the bioreactor via a sparger through a mass flow inlet with 0.231 kg/s and leaves the system on top via a degassing boundary condition. Operating pressure was set close to the boundary to 130,710 Pa [4,25,74] and operating density was set to 0, as suggested by the Fluent manual [78]. The rotation of the impeller was modeled using multiple reference frames (MRF) at 2.22 1/s, as mentioned in previous works on this bioreactor [25]. The operating conditions are summarized in Table 1.

Table 1. Operating conditions for the fermentation process.

Operation Conditions	Description	Ref.
Primary phase	~water	
	<ul style="list-style-type: none"> $\rho = 1000 \text{ kg/m}^3$ $\nu = 0.001 \text{ kg/m/s}$ 	[25]
Secondary phase	~air	
	<ul style="list-style-type: none"> $\rho = 1.225 \text{ kg/m}^3$ ideal gas law $d_b = 0.009 \text{ m}$ 	[25]
Inter-phase forces	Drag	
	<ul style="list-style-type: none"> grace swarm coefficient -1.2 	[76,77]
Aeration rate	0.231 kg/s	[74]
Headspace pressure	130,710 Pa	[74]
Agitation rate	2.22 s^{-1}	[74]
Glucose feed	52 kg/h	[25]

After setting up the phenomena describing the system, the solution methods and strategies were included. Phase coupled SIMPLE were chosen for pressure-velocity coupling and temporal (transient formulation) and spatial discretization scheme were set to first-order upwind for the first few hundred iterations to achieve solution stability and then were set to QUICK for velocity, turbulence, and volume fraction, and temporal discretization was set to bounded second-order implicit. The residuals were set to 10^{-6} and a time step of 0.001 s with 50 iterations was chosen.

Simulations were qualified as “accomplished” once flow velocities and turbulent kinetic energies converged to pseudo-steady states with $\pm 5\%$ variation. Further validation was achieved by comparing mixing time (τ_{95}) and integral mass transfer coefficient (k_{la}) with published values. Flow fields served as basis for implementing mass transfer and biokinetics in subsequent steps.

2.3. Biokinetics

Sonnleitner and Käppeli [39] introduced a black-box model to describe the substrate uptake, growth, and by-product formation of *S.cerevisiae*. Glucose is considered as substrate whereas ethanol

may serve as substrate or product depending on metabolic and environmental conditions. The model assumes the respiratory capacity of the yeast as key metabolic bottleneck. If glucose uptake exceeds respiratory limits, remaining electrons are channeled via reductive pathways, leading to the secretion of ethanol. Notably, the model also allows ethanol uptake under aerobic conditions. Under anaerobic conditions, ethanol is considered as dominating product. Details are as follows:

1. Aerobic growth on glucose (indexed *sae*)
2. Anaerobic growth on glucose (indexed *san*)
3. Aerobic growth on ethanol (indexed *eae*)

Uptake rates are assumed to follow Monod kinetics (1)–(3).

$$q_s = q_{s,max} \frac{C_s}{K_s + C_s} \quad (1)$$

$$q_o = q_{o,max} \frac{C_o}{K_o + C_o} \quad (2)$$

$$q_e = q_{e,max} \frac{C_e}{K_e + C_e} \quad (3)$$

To distinguish between these cases, the catabolic capacity to metabolize glucose aerobically serves as the threshold. In essence, if biomass specific glucose uptake q_s exceeds the related oxygen demand for oxidation, $Y_{\frac{s}{o}} \cdot q_o$ meaning (4):

$$q_s > Y_{\frac{s}{o}} \cdot q_o \quad (4)$$

Aerobic ethanol formation starts. Acetaldehyde, upstream of ethanol in the fermentation pathway, serves as electron acceptor under such conditions. Accordingly, “anaerobic” carbon flux occurs and equals the remainder of the total substrate uptake (5) and (6), which will be metabolized to ethanol.

$$q_{sae} = \min\left(Y_{\frac{s}{o}} \times q_o, q_s\right) \quad (5)$$

$$q_{san} = q_s - q_{sae} \quad (6)$$

To shed light on ethanol dynamics, its consumption under aerobic conditions is also considered, prioritizing glucose [79]. Given that (7) holds true, ethanol uptake rates q_{eae} are calculated as shown in (8). In essence, the min modulator compares whether oxygen demands for ethanol oxidation after glucose consumption $\frac{(q_o - Y_{\frac{o}{e}} \cdot q_{sae})}{Y_{\frac{o}{e}}}$ exceed the Monod-type ethanol uptake kinetics q_e .

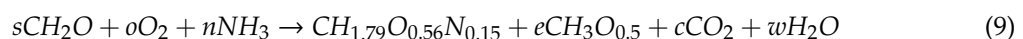
$$q_s < Y_{\frac{s}{o}} q_o \quad (7)$$

$$q_{eae} = \min\left(\frac{(q_o - Y_{\frac{o}{e}} q_{sae})}{Y_{\frac{o}{e}}}, q_e\right) \quad (8)$$

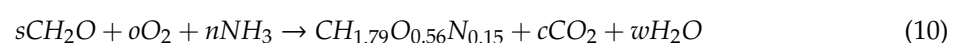
A graphical illustration of respiratory bottleneck is shown in Figure 2. The concentrations are calculated and, using Equations (1)–(3), the uptake rates are calculated, upon which the rest of the model is based. Yields for by-products are stoichiometrically approximated for every reaction.

To reveal the stoichiometry between substrates and products, elemental balances are applied to the process reaction (9), which then results in three different scenarios (10)–(12).

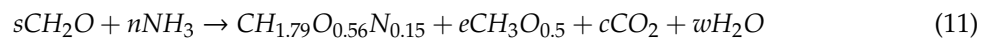
Process reaction



Process reaction for aerobic growth on glucose (r_{sae})



Process reaction for anaerobic growth on glucose (r_{san})



Process reaction for aerobic growth on ethanol (r_{eae})

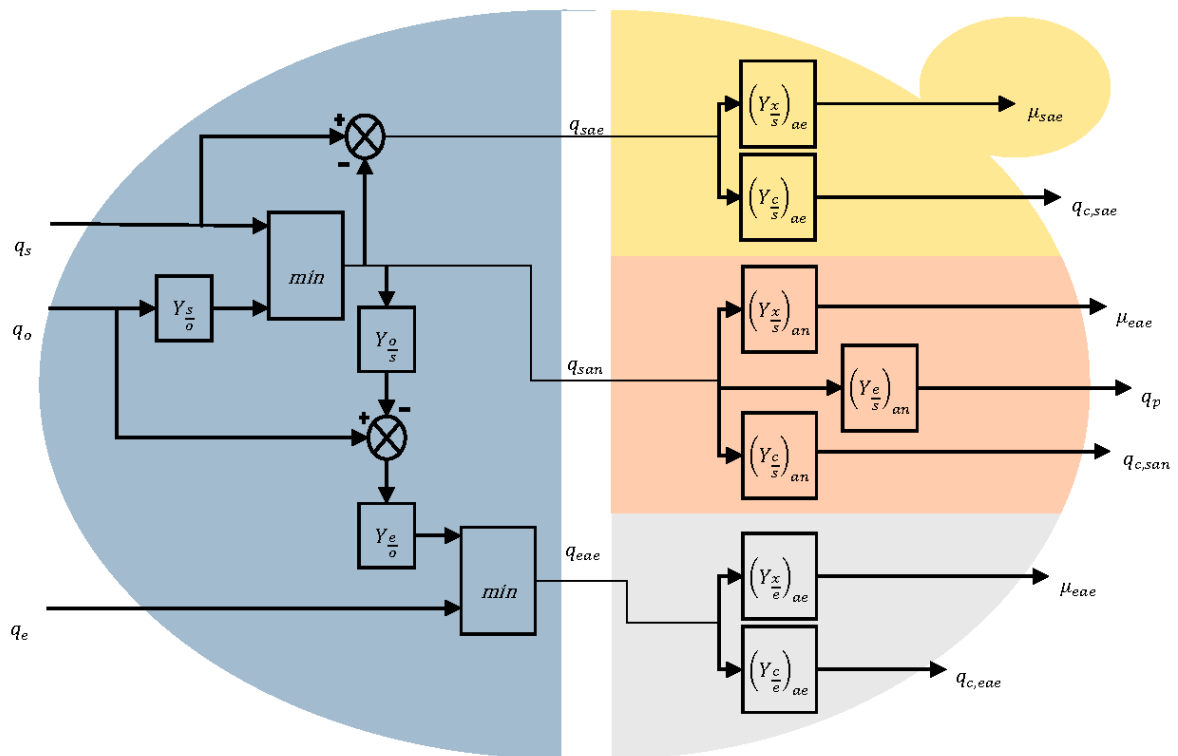
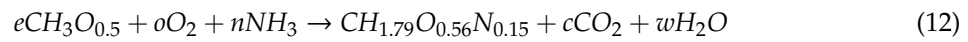


Figure 2. Graphical representation of the bottleneck concept and the interplay of substrate availability in the kinetic model for ethanol consumption under aerobic conditions and overflow metabolism based on [39].

The conservation of mass results in (13). Since all underlying phenomena do not disturb mass or elemental conservation, it is safe to conclude that there is no net conversion of elements. For this purpose, the matrices for elemental composition “ E ” (14), stoichiometry coefficients “ $S.C.$ ” (15), and reaction rates “ r ” (16) are set up.

$$\frac{d(E \cdot C \cdot V)}{dt} = E \cdot r \cdot V \text{ (Volume of the element)} + E \cdot MTR \text{ (Mass Transfer Rate)} \quad (13)$$

		s	o	n	x	e	c	w
$E =$	C	1	0	0	1	1	1	0
	H	2	0	3	1.79	3	0	2
	O	1	2	0	0.56	0.5	2	1
	N	0	0	1	0.15	0	0	0

(14)

$$r = \begin{bmatrix} r_{s_i} \\ r_{o_i} \\ r_{n_i} \\ r_{x_i} \\ r_{e_i} \\ r_{c_i} \\ r_{w_i} \end{bmatrix} \quad (15)$$

$$S.C = \begin{array}{c|ccc} & S.C_{sae} & S.C_{san} & S.C_{eae} \\ \hline s & -s_{sae} & -s_{san} & 0 \\ o & -o_{sae} & 0 & -o_{eae} \\ n & -n_{sae} & -n_{san} & -n_{eae} \\ x & x_{sae} & x_{san} & x_{eae} \\ e & 0 & e_{san} & -e_{eae} \\ c & c_{sae} & c_{san} & c_{eae} \\ w & w_{sae} & w_{san} & w_{eae} \end{array} \quad (16)$$

Elemental conservation results in the following system of Equation (17):

$$E \cdot r = 0 \quad (17)$$

By solving this system based on growth rate and carbon source uptake rate, other rates are calculated for each reaction in the models (18)–(21).

$$\text{Aerobic growth on glucose : } \begin{cases} r_{c_{sae}} = 6r_{s_{sae}} - r_{x_{sae}} \\ r_{o_{sae}} = 6r_{s_{sae}} - 1.05r_{x_{sae}} \end{cases} \quad (18)$$

$$\text{Anaerobic growth on glucose : } \begin{cases} r_{c_{san}} = 2r_{s_{san}} - 0.3r_{x_{san}} \\ r_{e_{san}} = r_{s_{san}} - 0.7r_{x_{san}} \end{cases} \quad (19)$$

$$\text{Aerobic growth on ethanol : } \begin{cases} r_{c_{eae}} = 2r_{e_{eae}} - r_{x_{eae}} \\ r_{o_{eae}} = 3r_{e_{eae}} - 1.05r_{x_{eae}} \end{cases} \quad (20)$$

The carbon source consumption rate is calculated using Equations (5)–(8) to solve the remaining equation for a known biomass concentration. The growth rate is calculated using the yield coefficient taken from the literature [80].

2.4. Mass Transfer

The mass transfer coefficient between the two phases was considered for O_2 , CO_2 , and ethanol (21). A common assumption is to estimate the mass transfer close to the equilibrium state. The gas phase is considered well mixed (zero resistance); hence, using the film theory, one can assume the mass transfer resistance to be on the liquid side of the interface. Moreover, for dilute gases in liquid, Henry's law (22) is implemented to calculate the equilibrium concentration " C^* " on the interface [81,82].

$$MTR = k_l a \Delta C \quad (21)$$

$$C_i^* = \frac{P_i}{H} \quad (22)$$

H is Henry's constant for the gas component at fermentation temperature (30 °C). k_l is modeled by the surface renewal approach [83], a is the bubble surface, and both are known to be dependent on flow characteristics [84]. Mass transfer driving force (ΔC) differs for O_2 and CO_2 since the direction of the transport is different, which leads to (23) and (24).

$$\Delta C_c = (C_{c_{liq}} - C_c^*) \quad (23)$$

$$\Delta C_o = (C_o^* - C_{o_{liq}}) \quad (24)$$

For ethanol stripping, an approach by Löser et al. [85] is implemented in which ethanol transfer to gas phase is investigated. In this way, a partition coefficient (25) linking ethanol concentration in both phases to each other is available, which allows calculation of the mass transfer driving force for ethanol.

$$K_{\frac{L}{G}} = \frac{C_{e_{liq}}}{C_{e_{gas}}} \quad (25)$$

3. Results

3.1. Flow Field Validation

For the validation of the represented flow field, several criteria were evaluated. τ_{95} was reproduced with a virtual pulse of glucose above the top impeller and by reading its concentration at the probe location, as disclosed in [74], at 0.97 m distance from the bottom. The estimated value in the current work is 186 s, which is in agreement with the results of previous investigations [4,25,74].

The simulated gas holdup of 19% slightly overpredicts experimental measurements (17.1%) [86] and previous numerical studies (17.6%) [25] but still falls within an acceptable range. In addition to the average holdup, gas distribution of the gas phase plays a crucial role in $k_L a$ calculations (Figure 3).

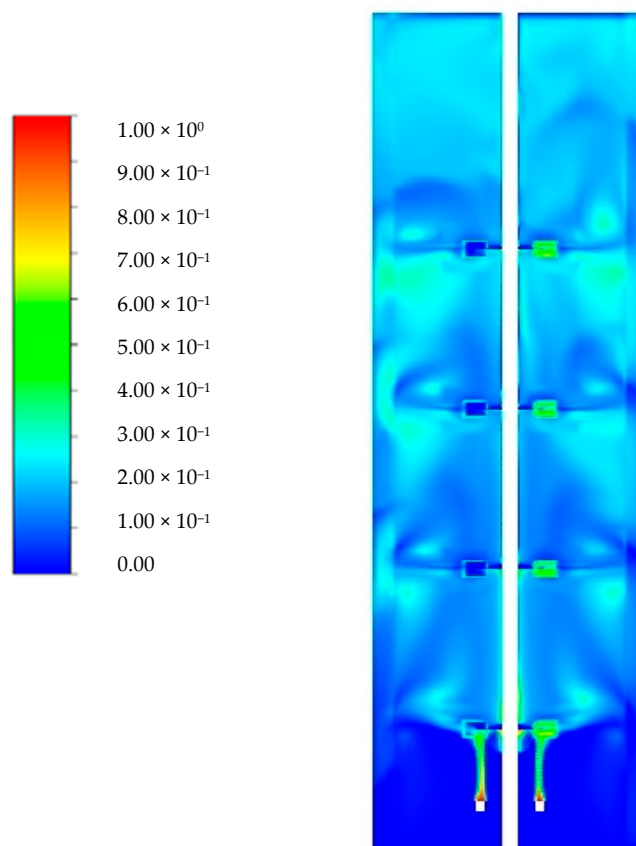


Figure 3. Gas holdup distribution can reproduce the loading regime at the bottom impeller.

Under said conditions, $k_L a$ of 190 h^{-1} is estimated, which agrees well with the experimental measurements [86].

3.2. Scenario I: Experimental Fermentation

For this scenario, conditions are considered as explained by previous investigations [25,86]. Accordingly, model suitability could be checked. dO_2 concentrations are expected to show high values at the bottom of the tank for mainly three reasons: first, higher hydrostatic pressure increases the solubility of dO_2 . Second, lower metabolic activity of cells should occur due to substrate scarcity, and third, higher fraction of O_2 in gas phase close to the bottom should be observed. In contrast, opposite trends are found close to the feeding point, where the lowest dO_2 of $\sim 3.7 \times 10^{-5}$ M (~ 1.2 ppm) is estimated (Figure 4a). This is an order of magnitude larger than the critical value of $\sim 4.6 \times 10^{-6}$ M [87]. Furthermore, the related volume is only a negligible fraction of the entire stirred tank reactor, which gives rise to the fair assumption of “no oxygen limitation” in the bioreactor for given conditions [4,25,86].

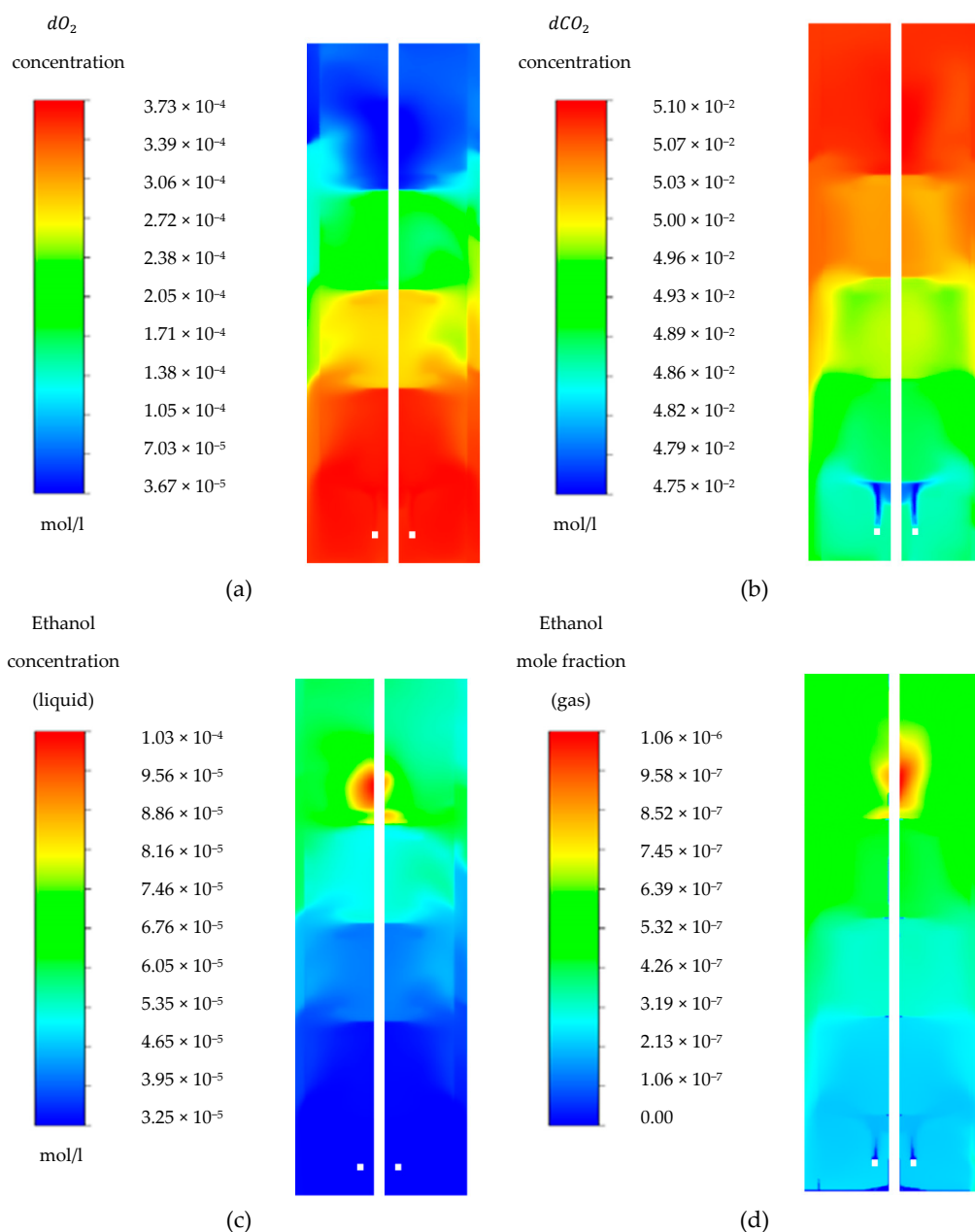


Figure 4. Concentration profiles for scenario I with 10 g/L biomass for (a) dO_2 , (b) dCO_2 , (c) ethanol in liquid phase, (d) stripped ethanol mole fraction in the gas phase.

dCO_2 concentrations are represented in Figure 4b. Interestingly, only minor dCO_2 gradients occur, varying no more than $\pm 5\%$ from average. Notably, CO_2/HCO_3^- creates a buffering system that consists of around 99% CO_2 at the operational pH 5 [73,88]. Accordingly, the simplifying assumption was made that inorganic carbon only encompasses dCO_2 . The current study snapshots a pseudo-steady state of late phase yeast fermentation [82,89]. Consequently, the reasonable postulation was made that the liquid phase is saturated with respect to dCO_2 . In the gas phase, CO_2 is estimated to reach mole fractions between 2.1 and 2.9%.

Ethanol gradients are more pronounced than those of dCO_2 but less so than dO_2 . The highest values are observed proximate to the feeding point, reflecting the highest cellular product formation and reduced stripping. The lowest titer is found at the bottom of the tank (3.25×10^{-5} M, Figure 4c,d).

3.3. Scenario II: Protein Production

To place the model into a more industrially relevant context, biomass was increased to 25 g/L to imitate protein production [15]. For simplification, putative impacts of increased biomass concentration on the viscosity were neglected [90]. The scenario shows that a significant volume is exposed to oxygen limitation (approximately 0.37 m^3) above the top impeller, considering that 10% of saturation dO_2 . dO_2 levels below 4.6×10^{-6} M were observed in a volume of 0.04 m^3 , which is below the $dO_{2,crit}$ according to the available literature [87] (Figure 5a). Notably, elevated viscosity values would have even deteriorated the oxygen supply. Increasing biomass concentrations also increased microbial substrate consumption and product formation rates. As aeration and the energy input of the bioreactor remained equal, gradients for substrates and by-products became more pronounced.

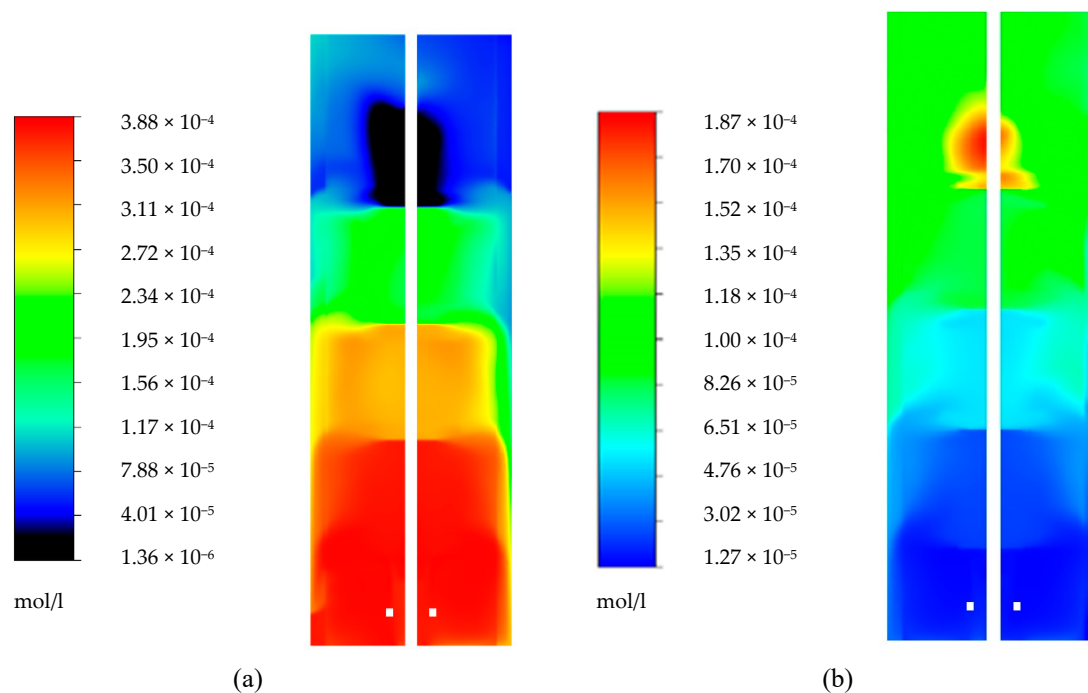


Figure 5. Concentration profiles with 25 g/L biomass concentration for (a) dO_2 and (b) ethanol.

In turn, this affected the ethanol gradient twofold. First, the drop in dO_2 resulted in higher production of ethanol around the feeding point. Second, higher biomass concentration in the tank increased the volumetric ethanol consumption, causing lower ethanol concentrations at the bottom of the tank, as observed in Figure 5b.

4. Discussion

4.1. Glucose Gradient

Figure A1 (Appendix A) shows the anticipated heterogeneous glucose distribution, disclosing a hotspot of high glucose concentrations close to the inlet and low values at the bottom of the bioreactor. As expected, the resulting gradients are more pronounced for the “25 g/L biomass” case than for 10 g/L. Interestingly, studies [4,73] provided experimental values sampled from the top, middle, and bottom regions of the bioreactor (Table A1). Notably, sampling was performed at the wall of the bioreactors, only giving a very restricted resolution of local conditions. On the contrary, simulated values of scenario I and II indicate average concentrations of total reactor slices calculated at the same height. Consequently, the comparison of simulated predictions with experimental values is intrinsically biased. Nevertheless, the comparison shows that scenario II comes closest to the measurements. At the top, high glucose levels were equally predicted by simulation and measurements. Notably, each value indicates saturated glucose uptake. The strongest deviations are found for the bottom region, where simulations overestimate the glucose consumption. Consequently, model refinements should be considered in the next generation of metabolic models by implementing the co-consumption of intracellular buffers (such as trehalose) as an additional, not yet considered, carbon source in nutrient-limiting regions.

4.2. Ethanol Gradient

To the best of our knowledge, this study represents the first example of considering ethanol formation and re-consumption in a CFD-linked large-scale bioreactor simulation. Figure 4c indicates the well-distributed presence of ethanol in the entire reactor, giving rise to the assumption that ethanol-based growth should be possible in large parts of the bioreactor. Based on the results, growth on ethanol is expected to take place in 97% bioreactor. The conclusion is in accordance with the work of Noorman [4], who anticipated that no real “starvation” zone might exist because of the occurrence of ethanol. The finding does have implications for the design of proper scale-down approaches [63,65,91] as suitable settings ideally should consider the co-substrate ethanol too. For scenario II, the average ethanol concentration was approximately 26% lower (3.17×10^{-5} M) compared to scenario I (5×10^{-5} M). Nevertheless, more than 90% of the tank may offer sufficient ethanol uptake within seconds according to a radiocarbon study [92]. Such levels might be enough to prevent an actual starvation scenario.

4.3. Oxygen Gradient

A conventional approach for estimating the occurrence of gradients is the comparison of critical timescales τ for substrate supply $\tau_{s_{supply}}$ versus substrate consumption $\tau_{s_{cons}}$. Whereas the first may be approximated by the mixing time τ_{mix} or circulation time $\tau_{circulation}$, the latter resembles the quotient of average substrate concentration divided by volumetric substrate consumption rates (26). Regarding dO_2 , scenarios 1 and 2 anticipate the occurrence of gradients because $\tau_{o_{cons,1}}$ and $\tau_{o_{cons,2}}$ showing ~ 28 s and ~ 30 s are smaller than $\tau_{circulation} \approx 47$ s ($\tau_{mix} = 186$ s). Indeed, the expectation is met by the CFD simulations.

$$\tau_{o_{cons}} = \frac{C_o}{(Y_{\frac{o}{s}} \cdot q_{sae} + Y_{\frac{o}{e}} \cdot q_{eae}) \times C_x} \quad (26)$$

Assuming average values, this approach theoretically indicates that assuming the non-limiting role of dO_2 for scenario I is a reasonable approximation for the whole tank, other than a small region around the feeding point, where the dO_2 concentration is slightly above 3.67×10^{-5} M. The threshold for aerobic growth $dO_{2,crit}$ for *S. cerevisiae* is given as 4.6×10^{-6} M [87]. This allows us to make a distinction between the ethanol production caused by overflow metabolism or dO_2 limitation. Accordingly, no dO_2 limitation is observed in scenario I as mentioned; hence, all ethanol production in this case is attributed to overflow metabolism, which occurs in 1.63 m^3 of the fermenter. However, this is not the

case for scenario II, where 10% of the ethanol production takes place in regions with dO_2 below the critical value. The total volume associated with ethanol production in scenario II is 0.3 m^3 .

4.4. Carbon Dioxide Gradient

Although the dCO_2 gradient is practically absent when compared to those for dO_2 , ethanol, and glucose (Appendix A), the key observation is the generally high level inside the bioreactor due to overpressure applied in the headspace plus the hydrostatic pressure from the liquid column. This should be accounted for in experimental scale-down. It should be noticed that by using a black-box model, some inherent flaws of such models affect the results. While such models could prove to be insightful for a specific case, the assumptions upon which the model is founded limit the generalization. In this case, the process reaction (6) considers dCO_2 only as a product of a single reaction. However, multiple decarboxylating reactions exist in the cellular metabolism, showing variable activity [93,94]. This intrinsic feature needs to be included if one wishes to reproduce the respiratory quotient (RQ). Despite this, the average ethanol consumption rate is an order of magnitude smaller than the average glucose consumption rate and, as a result, an RQ value of around 1.1 is achieved. Adding another layer of detail to the biokinetic model by including lumped reactions and metabolite pools [95] might be an interesting step forward. This might be possible by combining multi-reaction models like the one used in this work with lumped metabolic models [95,96]. From another perspective, dCO_2 creates a carbonate system in the fluid and within the cell which alters the cytosolic pH and hence induces stress and increases the cellular maintenance [64,73,97] or alters the metabolism based on gas composition [98]. Based on the actual process, one can decide to include some or all of the equilibrium reaction, but this does not fall within the scope of this work since, at pH 5, more than 99% is in the form of dCO_2 . Nevertheless, using a comparatively simple approach, the results indicate that the dCO_2 gradient is rather weak compared to other species. At such levels, dCO_2 inhibition inevitably takes place at industrial scale and impacts the transcription according to recent findings [37]. Our results indicate that while fluctuations in other concentrations might be experienced by cells on short timescales, the same does not hold true for dCO_2 , where cells are exposed to high dCO_2 for long timescales. The latter requires different experimental set-ups for scale-down tests.

5. Conclusions

This work suggests that in the case of baker's yeast production, ethanol production is inevitable around the feeding point—in this case, positioned at the top of the vessel. This causes lower growth rates above the top impeller and hence hinders the overall growth rate over the bioreactor volume and is not desirable when the final product is the biomass itself. It is possible to distinguish the ethanol production due to overflow metabolism (Crabtree effect) from dO_2 limitation (Pasteur effect). Such information can prove crucial for process optimization. dCO_2 gradients might not be as pronounced as the other species, but the fact that, in both scenarios, it reaches saturation levels hints at CO_2 stripping under real industrial conditions [4]. This points out the fact that, unlike glucose, ethanol, and dO_2 , where fluctuations might trigger a stress response, dCO_2 stress is different in nature and should be evaluated by long-term scale-down experiments. The results further suggest that a real starvation region in the lower parts of the tank might not exist because of the presence of ethanol compensating for glucose shortage. Accordingly, scale-down experiments should consider this impact, even investigating the putative benefits for long-term protein formation [15].

Author Contributions: Funding acquisition, R.T.; Investigation, C.S.S.H.; Methodology, C.S.S.H.; Resources, R.T.; Software, R.T.; Supervision, R.T.; Writing—original draft, C.S.S.H.; Writing—review & editing, C.S.S.H., C.H., H.N. and R.T. All authors have read and agreed to the published version of the manuscript.

Funding: Authors are thankful to Höchstleistungsrechenzentrum Stuttgart (HLRS) for large-scale computations and to the University of Stuttgart for providing the required funds. This work was supported by the German Federal Ministry of Education and Research (BMBF), grant number: FKZ 031B0629. C.S.S.H. is supported by ERA CoBioTech/EU H2020 project (grant 722361) “ComRaDes”, a public–private partnership between the University of

Stuttgart, TU Delft, University of Liege, DSM, Centrient Pharmaceuticals and Syngulon. C.H. and H.N. are paid employees of the DSM Biotechnology Center.

Acknowledgments: Authors acknowledge the insightful comments of Wouter van Winden in the process of manuscript preparation.

Conflicts of Interest: The authors declare no conflict of interest.

Nomenclature

C	Concentration matrix	
C_i^*	Concentration at the interface	mol/L
C_e	Ethanol concentration	mol/L
$C_{i,liq}$	Concentration of component “i” in liquid phase	mol/L
C_o	Oxygen concentration	mol/L
C_s	Glucose concentration	mol/L
C_x	Biomass concentration	g/L
d_b	Bubble diameter	m
dCO_2	Concentration of dissolved carbon dioxide	mol/L
dO_2	Concentration of dissolved oxygen	mol/L
$dO_{2,crit}$	Critical concentration of dissolved oxygen	mol/L
E	Elemental composition matrix	
H	Henry coefficient	l·atm/mol
k	Turbulent kinetic energy	m ² /s ²
$K_{L/G}$	Partition coefficient	-
K_e	Monod constant for ethanol	mol/L
k_1a	Mass transfer coefficient	1/h
K_o	Monod constant for oxygen	mol/L
K_s	Monod constant for glucose	mol/L
MTR	Mass transfer rate	mol/L/s
P_i	Partial pressure of the component “i” in gas phase	atm
q_e	Specific ethanol uptake rate	mol/g _x /s
q_{eae}	Specific ethanol uptake rate under aerobic conditions	mol/g _x /s
$q_{e,max}$	Maximum specific ethanol uptake rate	mol/g _x /s
q_o	Specific oxygen uptake rate	mol/g _x /s
$q_{o,max}$	Maximum specific oxygen uptake rate	mol/g _x /s
q_s	Specific glucose uptake rate	mol/g _x /s
q_{sae}	Specific glucose uptake rate for aerobic metabolism	mol/g _x /s
q_{san}	Specific glucose uptake rate for anaerobic metabolism	mol/g _x /s
$q_{s,max}$	Maximum specific glucose uptake rate	mol/g _x /s
r	Reaction rate matrix	
r_{ieae}	Reaction rate of component “i” when growing aerobically on ethanol	mol/L/s
r_{isae}	Reaction rate of component “i” when growing aerobically on glucose	mol/L/s
r_{isan}	Reaction rate of component “i” when growing anaerobically on glucose	mol/L/s
$S.C.$	Stoichiometry coefficients matrix	
τ_{circ}	Circulation time	s
τ_{mix}	Mixing time	s
τ_{icons}	Consumption timescale of component “i”	s
$\tau_{isupply}$	Supply timescale of component “i”	s
V	Volume	m ³
$Y_{\xi}^{e,ae}$	Carbon dioxide yield (aerobic) per mole substrate	mol/mol
$Y_{\xi}^{e,ae}$	Carbon dioxide yield (aerobic) per mole ethanol	mol/mol
$Y_{\xi}^{e,an}$	Carbon dioxide yield (anaerobic) per mole substrate	mol/mol
$Y_{\xi}^{e,an}$	Ethanol yield (anaerobic) per mole substrate	mol/mol
Y_{ξ}^o	Oxygen yield per mole ethanol	mol/mol
Y_{ξ}^o	Oxygen yield per mole glucose	mol/mol
Y_{ξ}^s	Substrate yield per mole oxygen	mol/mol
$Y_{\xi}^{x,ae}$	Biomass yield (aerobic) per mole ethanol	mol/mol
$Y_{\xi}^{x,ae}$	Biomass yield (aerobic) per mole glucose	mol/mol
$Y_{\xi}^{x,an}$	Biomass yield (anaerobic) per mole glucose	mol/mol
ΔC	concentration driving force	mol/L
ε	dissipation rate of turbulent kinetic energy	m ² /s ³
ν	Kinematic viscosity	m ² /s
ρ	Density	kg/m ³

Abbreviations

cAMP	Cyclic adenosine monophosphate
CFD	Computational fluid dynamics
MRF	Multiple reference frames
QUICK	Quadratic Upstream Interpolation for Convective Kinematics
RANS	Reynolds-averaged Navier–Stokes
RQ	Respiratory quotient
SIMPLE	Semi-Implicit Method for Pressure Linked Equations
TRY	Titer, rate, yield

Appendix A Glucose Gradients

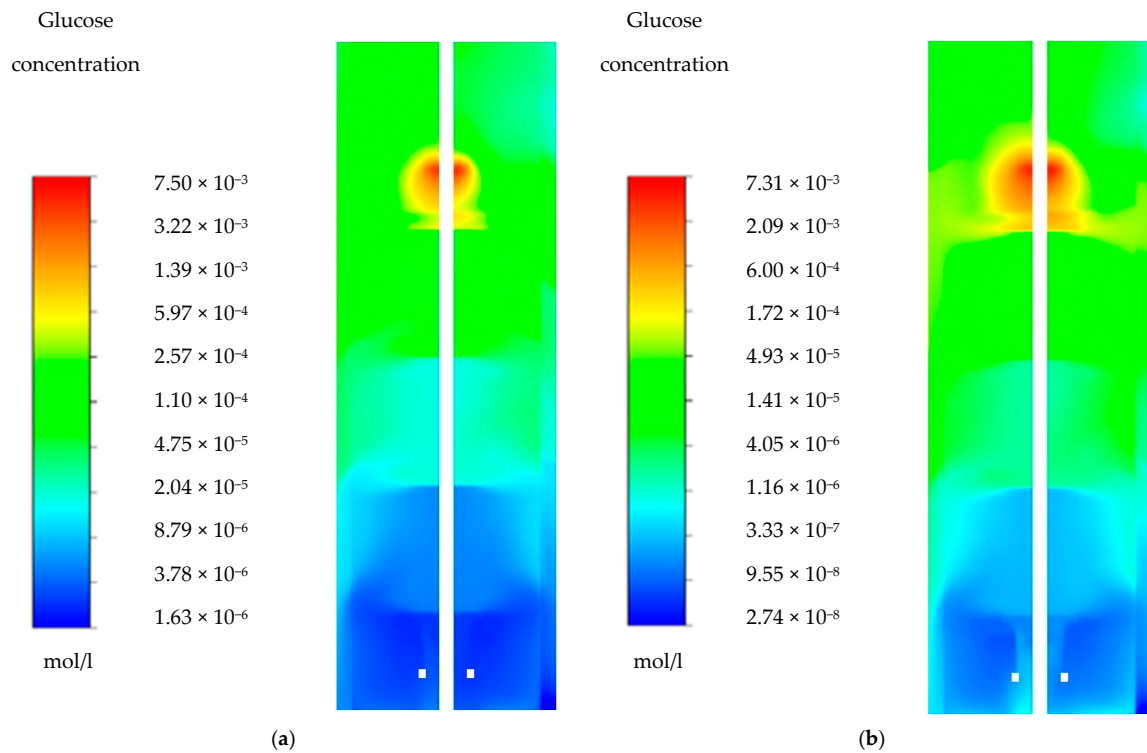


Figure A1. Glucose gradients with (a) 10 g/L and (b) 25 g/L biomass (logarithmic colormap).

As expected, a strong gradient for glucose as the main substrate exists in both cases, as shown in Figure A1, and also aligned with previous efforts [4,25,74]. Using a similar approach to Section 4.2. for glucose (A1) gives a timescale for substrate consumption of 7 and 17 s for 25 /L and 10 g/L biomass concentration, respectively. This still falls short of the circulation time $\tau_{circulation}$ of approximately 47 s, meaning that supply is slower than the demand.

$$\tau_{scons} = \frac{C_s}{(q_{sae} + q_{san}) \times C_x} \quad (A1)$$

It is worth noticing the glucose concentration predicted in this work is in the same order of magnitude (Table A1), but it drops to concentrations that are below measured quantities. This could be an interesting topic for further investigations.

Table A1. Comparison of glucose concentration at probe location (Top: 6.35 m, Mid.: 3.9 m, Bot.: 0.97 m from the bottom) from experimental (light blue 10 g/L biomass concentration) and simulation (light orange 10 g/L biomass concentration, orange 25 g/L biomass concentration) results from the literature and this work.

		Glucose Concentration ($\mu\text{mol/L}$)				
		[4]	[74]	[25]	This Work	
					Scenario I	Scenario II
Probe location	Top	199	222	455	356	250
	Mid.	91.6	62.2	97	32.6	56
	Bot.	40	28.3	23.8	4.15	2.55

References

1. Suarez-Mendez, C.; Sousa, A.; Heijnen, J.; Wahl, A. Fast “Feast/Famine” Cycles for Studying Microbial Physiology Under Dynamic Conditions: A Case Study with *Saccharomyces cerevisiae*. *Metabolites* **2014**, *4*, 347–372. [[CrossRef](#)]
2. Suarez-Mendez, C.A.; Ras, C.; Wahl, S.A. Metabolic adjustment upon repetitive substrate perturbations using dynamic ^{13}C -tracing in yeast. *Microb. Cell Fact.* **2017**, *16*, 1–14. [[CrossRef](#)]
3. Kresnowati, M.T.A.P.; Van Winden, W.A.; Van Gulik, W.M.; Heijnen, J.J. Energetic and metabolic transient response of *Saccharomyces cerevisiae* to benzoic acid. *FEBS J.* **2008**, *275*, 5527–5541. [[CrossRef](#)]
4. Noorman, H. An industrial perspective on bioreactor scale-down: What we can learn from combined large-scale bioprocess and model fluid studies. *Biotechnol. J.* **2011**, *6*, 934–943. [[CrossRef](#)]
5. Wang, G.; Haringa, C.; Noorman, H.; Chu, J.; Zhuang, Y. Developing a Computational Framework To Advance Bioprocess Scale-Up. *Trends Biotechnol.* **2020**, 1–11. [[CrossRef](#)]
6. Zieringer, J.; Wild, M.; Takors, R. Data-Driven In-silico Prediction of Regulation Heterogeneity and ATP Demands of *Escherichia coli* in Large-scale Bioreactors. *Biotechnol. Bioeng.* **2020**, bit.27568. [[CrossRef](#)] [[PubMed](#)]
7. Morchain, J.; Pigou, M.; Lebaz, N. A population balance model for bioreactors combining interdivision time distributions and micromixing concepts. *Biochem. Eng. J.* **2017**, *126*, 135–145. [[CrossRef](#)]
8. Linkès, M.; Fede, P.; Morchain, J.Ô.; Schmitz, P. Numerical investigation of subgrid mixing effects on the calculation of biological reaction rates. *Chem. Eng. Sci.* **2014**, *116*, 473–485. [[CrossRef](#)]
9. Haringa, C.; Tang, W.; Wang, G.; Deshmukh, A.T.; Van Winden, W.A.; Chu, J.; Van Gulik, W.M.; Heijnen, J.J.; Mudde, R.; Noorman, H. Computational fluid dynamics simulation of an industrial, *P. chrysogenum* fermentation with a coupled 9-pool metabolic model: Towards rational scale-down and design optimization. *Chem. Eng. Sci.* **2018**, *175*, 12–24. [[CrossRef](#)]
10. Haringa, C.; Mudde, R.F.; Noorman, H.J. From industrial fermentor to CFD-guided downscaling: What have we learned? *Biochem. Eng. J.* **2018**, *140*, 57–71. [[CrossRef](#)]
11. Lapin, A.; Müller, D.; Reuss, M. Dynamic behavior of microbial populations in stirred bioreactors simulated with Euler-Lagrange methods: Traveling along the lifelines of single cells. *Ind. Eng. Chem. Res.* **2004**, *43*, 4647–4656. [[CrossRef](#)]
12. Wright, M.R.; Bach, C.; Gernaey, K.V.; Krühne, U. Investigation of the effect of uncertain growth kinetics on a CFD based model for the growth of, *S. cerevisiae* in an industrial bioreactor. *Chem. Eng. Res. Des.* **2018**, *140*, 12–22. [[CrossRef](#)]
13. Wang, G.; Haringa, C.; Tang, W.; Noorman, H.; Chu, J.; Zhuang, Y.; Zhang, S. Coupled metabolic-hydrodynamic modeling enabling rational scale-up of industrial bioprocesses. *Biotechnol. Bioeng.* **2020**, *117*, 844–867. [[CrossRef](#)]
14. Lara, A.R.; Galindo, E.; Ramírez, O.T.; Palomares, L.A. Living with heterogeneities in bioreactors: Understanding the effects of environmental gradients on cells. *Mol. Biotechnol.* **2006**, *34*, 355–381. [[CrossRef](#)]
15. Wright, N.R.; Wulff, T.; Palmqvist, E.A.; Jørgensen, T.R.; Workman, C.T.; Sonnenschein, N.; Rønne, N.P.; Herrgård, M.J. Fluctuations in glucose availability prevent global proteome changes and physiological transition during prolonged chemostat cultivations of *Saccharomyces cerevisiae*. *Biotechnol. Bioeng.* **2020**, *117*, 2074–2088. [[CrossRef](#)] [[PubMed](#)]

16. Binai, N.A.; Bisschops, M.M.M.; Van Breukelen, B.; Mohammed, S.; Loeff, L.; Pronk, J.T.; Heck, A.J.R.; Daran-Lapujade, P.; Slijper, M. Proteome adaptation of *Saccharomyces cerevisiae* to severe calorie restriction in retentostat cultures. *J. Proteome Res.* **2014**, *13*, 3542–3553. [[CrossRef](#)] [[PubMed](#)]
17. Kraakman, L.S.; Winderickx, J.; Thevelein, J.M.; De Winde, J.H. Structure-function analysis of yeast hexokinase: Structural requirements for triggering cAMP signalling and catabolite repression. *Biochem. J.* **1999**, *343*, 159–168. [[PubMed](#)]
18. François, J.; Parrou, J.L. Reserve carbohydrates metabolism in the yeast *Saccharomyces cerevisiae*. *FEMS Microbiol. Rev.* **2001**, *25*, 125–145. [[CrossRef](#)]
19. De Winde, J.H.; Crauwels, M.; Hohmann, S.; Thevelein, J.M.; Winderickx, J. Differential requirement of the yeast sugar kinases for sugar sensing in establishing the catabolite-repressed state. *Eur. J. Biochem.* **1996**, *241*, 633–643. [[CrossRef](#)]
20. Mans, R.; Daran, J.M.G.; Pronk, J.T. Under pressure: Evolutionary engineering of yeast strains for improved performance in fuels and chemicals production. *Curr. Opin. Biotechnol.* **2018**, *50*, 47–56. [[CrossRef](#)]
21. Zhang, J.; Martinez-Gomez, K.; Heinzle, E.; Wahl, S.A. Metabolic switches from quiescence to growth in synchronized *Saccharomyces cerevisiae*. *Metabolomics* **2019**, *15*, 1–13. [[CrossRef](#)] [[PubMed](#)]
22. Rizzi, M.; Baltes, M.; Theobald, U.; Reuss, M. In vivo analysis of metabolic dynamics in *Saccharomyces cerevisiae*: II. Mathematical model. *Biotechnol. Bioeng.* **1997**, *55*, 592–608. [[CrossRef](#)]
23. Link, H.; Fuhrer, T.; Gerosa, L.; Zamboni, N.; Sauer, U. Real-time metabolome profiling of the metabolic switch between starvation and growth. *Nat. Methods* **2015**, *12*, 1091–1097. [[CrossRef](#)] [[PubMed](#)]
24. Siebler, F.; Lapin, A.; Hermann, M.; Takors, R. The impact of CO gradients on, *C. ljungdahlii* in a 125 m³ bubble column: Mass transfer, circulation time and lifeline analysis. *Chem. Eng. Sci.* **2019**, *207*, 410–423. [[CrossRef](#)]
25. Haringa, C.; Deshmukh, A.T.; Mudde, R.F.; Noorman, H.J. Euler-Lagrange analysis towards representative down-scaling of a 22 m³ aerobic, *S. cerevisiae* fermentation. *Chem. Eng. Sci.* **2017**, *170*, 653–669. [[CrossRef](#)]
26. Kordas, M.; Konopacki, M.; Grygorcewicz, B.; Augustyniak, A.; Musik, D.; Wójcik, K.; Jędrzejczak-Silicka, M.; Rakoczy, R. Hydrodynamics and mass transfer analysis in bioflow[®] bioreactor systems. *Processes* **2020**, *8*, 1311. [[CrossRef](#)]
27. Di Serio, M.; Aramo, P.; De Alteriis, E.; Tesser, R.; Santacesaria, E. Quantitative analysis of the key factors affecting yeast growth. *Ind. Eng. Chem. Res.* **2003**, *42*, 5109–5116. [[CrossRef](#)]
28. Sweere, A.P.J.; Mesters, J.R.; Janse, L.; Luyben, K.C.A.M.; Kossen, N.W.F. Experimental simulation of oxygen profiles and their influence on baker's yeast production: I. One-fermentor system. *Biotechnol. Bioeng.* **1988**, *31*, 567–578. [[CrossRef](#)]
29. Sweere, A.P.J.; Matla, Y.A.; Zandvliet, J.; Luyben, K.C.A.M.; Kossen, N.W.F. Experimental simulation of glucose fluctuations—The influence of continually changing glucose concentrations on the fed-batch baker's yeast production. *Appl. Microbiol. Biotechnol.* **1988**, *28*, 109–115. [[CrossRef](#)]
30. Enfors, S.; Hedenberg, J.; Olsson, K. Bioprocess Engineering Simulation of the dynamics in the Baker's yeast process. *Bioprocess Eng.* **1990**, *5*, 191–198. [[CrossRef](#)]
31. Sweere, A.P.J.; van Dalen, J.P.; Kishoni, E.; Luyben, K.C.A.M.; Kossen, N.W.F. Theoretical analysis of the baker's yeast production: An experimental verification at a laboratory scale—Part 2: Fed-batch fermentations. *Bioprocess Eng.* **1989**, *4*, 11–17. [[CrossRef](#)]
32. Raab, A.M.; Lang, C. Oxidative versus reductive succinic acid production in the yeast *Saccharomyces cerevisiae*. *Bioeng. Bugs.* **2011**, *2*, 120–123. [[CrossRef](#)] [[PubMed](#)]
33. Arikawa, Y.; Kuroyanagi, T.; Shimosaka, M.; Muratsubaki, H.; Enomoto, K.; Kodaira, R.; Okazaki, M. Effect of gene disruptions of the TCA cycle on production of succinic acid in *Saccharomyces cerevisiae*. *J. Biosci. Bioeng.* **1999**, *87*, 28–36. [[CrossRef](#)]
34. Otero, J.M.; Cimini, D.; Patil, K.R.; Poulsen, S.G.; Olsson, L.; Nielsen, J. Industrial Systems Biology of *Saccharomyces cerevisiae* Enables Novel Succinic Acid Cell Factory. *PLoS ONE* **2013**, *8*, e54144. [[CrossRef](#)] [[PubMed](#)]
35. Yan, D.; Wang, C.; Zhou, J.; Liu, Y.; Yang, M.; Xing, J. Construction of reductive pathway in *Saccharomyces cerevisiae* for effective succinic acid fermentation at low pH value. *Bioresour. Technol.* **2014**, *156*, 232–239. [[CrossRef](#)]
36. Nissen, T.L.; Schulze, U.; Nielsen, J.; Villadsen, J. Flux distributions in anaerobic, glucose-limited continuous cultures of *Saccharomyces cerevisiae*. *Microbiology* **1997**, *143*, 203–218. [[CrossRef](#)]

37. Hakkaart, X.; Liu, Y.; Hulst, M.; El Masoudi, A.; Peuscher, E.; Pronk, J.; Van Gulik, W.M.; Daran-Lapujade, P. Physiological responses of *Saccharomyces cerevisiae* to industrially relevant conditions: Slow growth, low pH, and high CO₂ levels. *Biotechnol. Bioeng.* **2020**, *117*, 721–735. [[CrossRef](#)]
38. Pham, H.T.B.; Larsson, G.; Enfors, S.O. Growth and energy metabolism in aerobic fed-batch cultures of *Saccharomyces cerevisiae*: Simulation and model verification. *Biotechnol. Bioeng.* **1998**, *60*, 474–482. [[CrossRef](#)]
39. Sonnleitner, B.; Käppeli, O. Growth of *Saccharomyces cerevisiae* is controlled by its limited respiratory capacity: Formulation and verification of a hypothesis. *Biotechnol. Bioeng.* **1986**, *28*, 927–937. [[CrossRef](#)]
40. Postma, E.; Alexander Scheffers, W.; Van Dijken, J.P. Kinetics of growth and glucose transport in glucose-limited chemostat cultures of *Saccharomyces cerevisiae* CBS 8066. *Yeast* **1989**, *5*, 159–165. [[CrossRef](#)]
41. De Deken, R.H. The Crabtree effect: A regulatory system in yeast. *J. Gen. Microbiol.* **1966**, *44*, 149–156. [[CrossRef](#)] [[PubMed](#)]
42. Van Urk, H.; Voll, W.S.L.; Scheffers, W.A.; Van Dijken, J.P. Transient-state analysis of metabolic fluxes in Crabtree-positive and crabtree-negative yeasts. *Appl. Environ. Microbiol.* **1990**, *56*, 281–287. [[CrossRef](#)] [[PubMed](#)]
43. Pfeiffer, T.; Morley, A. An evolutionary perspective on the Crabtree effect. *Front. Mol. Biosci.* **2014**, *1*, 1–6. [[CrossRef](#)] [[PubMed](#)]
44. Hagman, A.; Piškur, J. A study on the fundamental mechanism and the evolutionary driving forces behind aerobic fermentation in yeast. *PLoS ONE* **2015**, *10*, e0116942. [[CrossRef](#)]
45. Van Urk, H.; Postma, E.; Scheffers, W.A.; van Dijken, J.P. Glucose Transport in Crabtree-positive and Crabtree-negative. *Yeasts* **1989**, 2399–2406. [[CrossRef](#)]
46. Vrabel, P.; Van der Lans, R.G.J.M.; Van der Schot, F.N.; Luyben, K.C.A.M.; Xu, B.; Enfors, S.O. CMA: Integration of fluid dynamics and microbial kinetics in modelling of large-scale fermentations. *Chem. Eng. J.* **2001**, *84*, 463–474.
47. Mazzoleni, S.; Landi, C.; Carteni, F.; De Alteriis, E.; Giannino, F.; Paciello, L.; Parascandola, P. A novel process-based model of microbial growth: Self-inhibition in *Saccharomyces cerevisiae* aerobic fed-batch cultures. *Microb. Cell Factories* **2015**, *14*, 1–14. [[CrossRef](#)]
48. Enfors, S.-O.; Jahic, M.; Rozkov, A.; Xu, B.; Hecker, M.; Jürgen, B.; Krüger, E.; Schweder, T.; Hamer, G.; O’Beirne, D.; et al. Physiological responses to mixing in large scale bioreactors. *J. Biotechnol.* **2001**, *85*, 175–185. [[CrossRef](#)]
49. Kozak, B.U.; van Rossum, H.M.; Niemeijer, M.S.; van Dijk, M.; Benjamin, K.; Wu, L.; Daran, J.G.; Pronk, J.T.; van Maris, A.J.A. Replacement of the initial steps of ethanol metabolism in *Saccharomyces cerevisiae* by ATP-independent acetylating acetaldehyde dehydrogenase. *FEMS Yeast Res.* **2016**, *16*, fow006. [[CrossRef](#)]
50. Delafosse, A.; Collignon, M.-L.; Calvo, S.; Delvigne, F.; Crine, M.; Thonart, P.; Toye, D. CFD-based compartment model for description of mixing in bioreactors. *Chem. Eng. Sci.* **2014**, *106*, 76–85. [[CrossRef](#)]
51. Nieß, A.; Löffler, M.; Simen, J.D.; Takors, R. Repetitive Short-Term Stimuli Imposed in Poor Mixing Zones Induce Long-Term Adaptation of *E. coli* Cultures in Large-Scale Bioreactors: Experimental Evidence and Mathematical Model. *Front. Microbiol.* **2017**, *8*, 1195. [[CrossRef](#)] [[PubMed](#)]
52. Smets, B.; Ghillebert, R.; De Snijder, P.; Binda, M.; Swinnen, E.; De Virgilio, C.; Winderickx, J. Life in the midst of scarcity: Adaptations to nutrient availability in *Saccharomyces cerevisiae*. *Curr. Genet.* **2010**, *56*, 1–32. [[CrossRef](#)] [[PubMed](#)]
53. Larsson, C.; Pählman, I.L.; Gustafsson, L. The importance of ATP as a regulator of glycolytic flux in *Saccharomyces cerevisiae*. *Yeast* **2000**, *16*, 797–809. [[CrossRef](#)]
54. Larsson, C.; Nilsson, A.; Blomberg, A.; Gustafsson, L. Glycolytic flux is conditionally correlated with ATP concentration in *Saccharomyces cerevisiae*: A chemostat study under carbon or nitrogen-limiting conditions. *J. Bacteriol.* **1997**, *179*, 7243–7250. [[CrossRef](#)] [[PubMed](#)]
55. Somsen, O.J.G.; Hoeben, M.A.; Esgalhado, E.; Snoep, J.L.; Visser, D.; Van der Heijden, R.T.J.M.; Heijnen, J.J.; Westerhoff, H.V. Glucose and the ATP paradox in yeast. *Biochem. J.* **2000**, *352*, 593–599. [[CrossRef](#)]
56. Verma, M.; Zakhartsev, M.; Reuss, M.; Westerhoff, H.V. ‘Domino’ systems biology and the ‘A’ of ATP. *Biochim. Biophys. Acta (BBA) Gen. Subj.* **2013**, *1827*, 19–29. [[CrossRef](#)]
57. Kerkhoven, E.J.; Lahtvee, P.J.; Nielsen, J. Applications of computational modeling in metabolic engineering of yeast. *FEMS Yeast Res.* **2015**, *15*, 1–13. [[CrossRef](#)]
58. Almquist, J.; Cvijovic, M.; Hatzimanikatis, V.; Nielsen, J.; Jirstrand, M. Kinetic models in industrial biotechnology—Improving cell factory performance. *Metab. Eng.* **2014**, *24*, 38–60. [[CrossRef](#)]

59. Campbell, K.; Xia, J.; Nielsen, J. The Impact of Systems Biology on Bioprocessing. *Trends Biotechnol.* **2017**, *35*, 1156–1168. [[CrossRef](#)]
60. Campbell, K.; Westholm, J.; Kasvandik, S.; Di Bartolomeo, F.; Mormino, M.; Nielsen, J. Building blocks are synthesized on demand during the yeast cell cycle. *Proc. Natl. Acad. Sci. USA* **2020**, *117*, 7575–7583. [[CrossRef](#)]
61. Szatkowska, R.; Albornoz, M.G.; Roszkowska, K.; Holman, S.W.; Furmanek, E.; Hubbard, S.J.; Beynon, R.J.; Adamczyk, M. Glycolytic flux in *Saccharomyces cerevisiae* is dependent on RNA polymerase III and its negative regulator Maf1. *Biochem. J.* **2019**, *476*, 1053–1082. [[CrossRef](#)] [[PubMed](#)]
62. Delvigne, F.; Takors, R.; Mudde, R.; van Gulik, W.; Noorman, H. Bioprocess scale-up/down as integrative enabling technology: From fluid mechanics to systems biology and beyond. *Microb. Biotechnol.* **2017**, *10*, 1267–1274. [[CrossRef](#)] [[PubMed](#)]
63. Takors, R. Scale-up of microbial processes: Impacts, tools and open questions. *J. Biotechnol.* **2012**, *160*, 3–9. [[CrossRef](#)]
64. Takors, R. Biochemical engineering provides mindset, tools and solutions for the driving questions of a sustainable future. *Eng. Life Sci.* **2020**, *20*, 5–6. [[CrossRef](#)] [[PubMed](#)]
65. Noorman, H.J.; Heijnen, J.J. Biochemical engineering's grand adventure. *Chem. Eng. Sci.* **2017**, *170*, 677–693. [[CrossRef](#)]
66. Morchain, J.; Gabelle, J.C.; Cockx, A. A coupled population balance model and CFD approach for the simulation of mixing issues in lab-scale and industrial bioreactors. *AIChE J.* **2014**, *60*, 27–40. [[CrossRef](#)]
67. Lemoine, A.; Delvigne, F.; Bockisch, A.; Neubauer, P.; Junne, S. Tools for the determination of population heterogeneity caused by inhomogeneous cultivation conditions. *J. Biotechnol.* **2017**, *251*, 84–93. [[CrossRef](#)]
68. Murthy, B.N.; Joshi, J.B. Assessment of standard $k-\epsilon$ (lunate), RSM and LES turbulence models in a baffled stirred vessel agitated by various impeller designs. *Chem. Eng. Sci.* **2008**, *63*, 5468–5495. [[CrossRef](#)]
69. Derksen, J.J. Direct simulations of mixing of liquids with density and viscosity differences. *Ind. Eng. Chem. Res.* **2012**, *51*, 6948–6957. [[CrossRef](#)]
70. Witz, C.; Treffer, D.; Hardiman, T.; Khinast, J. Local gas holdup simulation and validation of industrial-scale aerated bioreactors. *Chem. Eng. Sci.* **2016**, *152*, 636–648. [[CrossRef](#)]
71. Pigou, M.; Morchain, J. Investigating the interactions between physical and biological heterogeneities in bioreactors using compartment, population balance and metabolic models. *Chem. Eng. Sci.* **2015**, *126*, 267–282. [[CrossRef](#)]
72. Sarkizi Shams Hajian, C.; Zieringer, J.; Takors, R. Chapter 15: Euler-Lagrangian simulations – a proper tool for predicting cellular performance in industrial scale bioreactors. In *Digital Twins—Applications to the Design and Optimization of Bioprocesses*; Herwig, C., Möller, J., Pörtner, R., Eds.; Springer Nature Switzerland AG: Cham, Switzerland, 2020.
73. Eigenstetter, G.; Takors, R. Dynamic modeling reveals a three-step response of *Saccharomyces cerevisiae* to high CO₂ levels accompanied by increasing ATP demands. *FEMS Yeast Res.* **2017**, *17*, 1–11. [[CrossRef](#)]
74. Larsson, G.; Törnkvist, M.; Ståhl Wernersson, E.; Trägårdh, C.; Noorman, H.; Enfors, S.O. Substrate gradients in bioreactors: Origin and consequences. *Bioprocess Eng.* **1996**, *14*, 281–289. [[CrossRef](#)]
75. Marshall, E.M.; Bakker, A. Computational Fluid Mixing. In *Handbook of Industrial Mixing*; Atiemo-Obeng, V.A., Calabrese, R.V., Eds.; John Wiley & Sons, Inc.: Hoboken, NJ, USA, 2004; pp. 257–343. [[CrossRef](#)]
76. Clift, R.; Grace, J.R.; Weber, M.E. *Bubbles, Drops, and Particles*; (Dover Books on Engineering); Clift, R., Grace, J.R., Weber, M.E., Eds.; Dover Publ.: Mineola, NY, USA, 2005; Volume XIII, p. 381.
77. Scargiali, F.; D'Orazio, A.; Grisafi, F.; Brucato, A. Modelling and simulation of gas—Liquid hydrodynamics in mechanically stirred tanks. *Chem Eng Res Des.* **2007**, *85*, 637–646. [[CrossRef](#)]
78. *Ansys® Academic Research Fluent, Release 2019 R1, Fluent user's Guide*; ANSYS, Inc.: Canonsburg, PA, USA, 2019.
79. Weusthuis, R.A.; Visser, W.; Pronk, J.T.; Scheffers, W.A.; Van Dijken, J.P. Effects of oxygen limitation on sugar metabolism in yeasts: A continuous-culture study of the Kluyver effect. *Microbiology* **1994**, *140*, 703–715. [[CrossRef](#)] [[PubMed](#)]
80. Sweere, A.P.J.; Giesselbach, J.; Barendse, R.; de Krieger, R.; Honderd, G.; Luyben, K.C.A.M. Modelling the dynamic behaviour of *Saccharomyces cerevisiae* and its application in control experiments. *Appl. Microbiol. Biotechnol.* **1988**, *28*, 116–127. [[CrossRef](#)]

81. Kuschel, M.; Siebler, F.; Takors, R. Lagrangian Trajectories to Predict the Formation of Population Heterogeneity in Large-Scale Bioreactors. *Bioengineering* **2017**, *4*, 27. [CrossRef]
82. Zieringer, J.; Takors, R. In Silico Prediction of Large-Scale Microbial Production Performance: Constraints for Getting Proper Data-Driven Models. *Comput. Struct. Biotechnol. J.* **2018**, *16*, 246–256. [CrossRef]
83. Alves, S.S.; Vasconcelos, J.M.T.; Orvalho, S.P. Mass transfer to clean bubbles at low turbulent energy dissipation. *Chem. Eng. Sci.* **2006**, *61*, 1334–1337. [CrossRef]
84. Sieblist, C.; Hägeholz, O.; Aehle, M.; Jenzsch, M.; Pohlscheidt, M.; Lübbert, A. Insights into large-scale cell-culture reactors: II. Gas-phase mixing and CO₂ stripping. *Biotechnol. J.* **2011**, *6*, 1547–1556. [CrossRef]
85. Löser, C.; Schröder, A.; Deponte, S.; Bley, T. Balancing the ethanol formation in continuous bioreactors with ethanol stripping. *Eng. Life Sci.* **2005**, *5*, 325–332. [CrossRef]
86. Vrabel, P.; Van Der Lans, R.G.J.M.; Cui, Y.Q.; Luyben, K.C.A.M. Compartment model approach: Mixing in large scale aerated reactors with multiple impellers. *Chem. Eng. Res. Des.* **1999**, *77*, 291–302. [CrossRef]
87. Bailey, J.E.; Ollis, D.F. *Biochemical Engineering Fundamentals*. McGraw-Hill Chemical Engineering Series); McGraw-Hill. 1986. Available online: <https://books.google.de/books?id=KM9TAAAAMAAJ> (accessed on 26 September 2020).
88. Blombach, B.; Takors, R. CO₂—Intrinsic product, essential substrate, and regulatory trigger of microbial and mammalian production processes. *Front. Bioeng. Biotechnol.* **2015**, *3*, 1–11. [CrossRef] [PubMed]
89. Kuschel, M.; Takors, R. Simulated oxygen and glucose gradients as a prerequisite for predicting industrial scale performance a priori. *Biotechnol. Bioeng.* **2020**, *117*, 2760–2770. [CrossRef]
90. Mancini, M.; Moresi, M. Rheological behaviour of baker's yeast suspensions. *J. Food Eng.* **2000**, *44*, 225–231. [CrossRef]
91. Delvigne, F.; Destain, J.; Thonart, P. A methodology for the design of scale-down bioreactors by the use of mixing and circulation stochastic models. *Biochem. Eng. J.* **2006**, *28*, 256–268. [CrossRef]
92. Guijarro, J.M.; Lagunas, R. *Saccharomyces cerevisiae* does not accumulate ethanol against a concentration gradient. *J. Bacteriol.* **1984**, *160*, 874–878. [CrossRef] [PubMed]
93. Piškur, J.; Rozpedowska, E.; Polakova, S.; Merico, A.; Compagno, C. How did *Saccharomyces* evolve to become a good brewer? *Trends Genet.* **2006**, *22*, 183–186. [CrossRef]
94. Thomson, J.M.; A Gaucher, E.; Burgan, M.F.; De Kee, D.W.; Li, T.; Aris, J.P.; A Benner, S. Resurrecting ancestral alcohol dehydrogenases from yeast. *Nat. Genet.* **2005**, *37*, 630–635. [CrossRef]
95. Tang, W.; Deshmukh, A.T.; Haringa, C.; Wang, G.; Van Gulik, W.; Van Winden, W.; Reuss, M.; Heijnen, J.J.; Xia, J.; Chu, J.; et al. A 9-pool metabolic structured kinetic model describing days to seconds dynamics of growth and product formation by *Penicillium chrysogenum*. *Biotechnol. Bioeng.* **2017**, *114*, 1733–1743. [CrossRef]
96. La, A.; Du, H.; Taidi, B.; Perré, P. A predictive dynamic yeast model based on component, energy, and electron carrier balances. *Biotechnol. Bioeng.* **2020**, *117*, 2728–2740. [CrossRef] [PubMed]
97. Orij, R.; Brul, S.; Smits, G.J. Intracellular pH is a tightly controlled signal in yeast. *Biochim. Biophys. Acta (BBA) Gen. Subj.* **2011**, *1810*, 933–944. [CrossRef] [PubMed]
98. Pham, T.H.; Mauvais, G.; Vergoignan, C.; De Coninck, J.; Dumont, F.; Lherminier, J.; Cachon, R.; Feron, G. Gaseous environments modify physiology in the brewing yeast *Saccharomyces cerevisiae* during batch alcoholic fermentation. *J. Appl. Microbiol.* **2008**, *105*, 858–874. [CrossRef] [PubMed]

Publisher's Note: MDPI stays neutral with regard to jurisdictional claims in published maps and institutional affiliations.



© 2020 by the authors. Licensee MDPI, Basel, Switzerland. This article is an open access article distributed under the terms and conditions of the Creative Commons Attribution (CC BY) license (<http://creativecommons.org/licenses/by/4.0/>).