

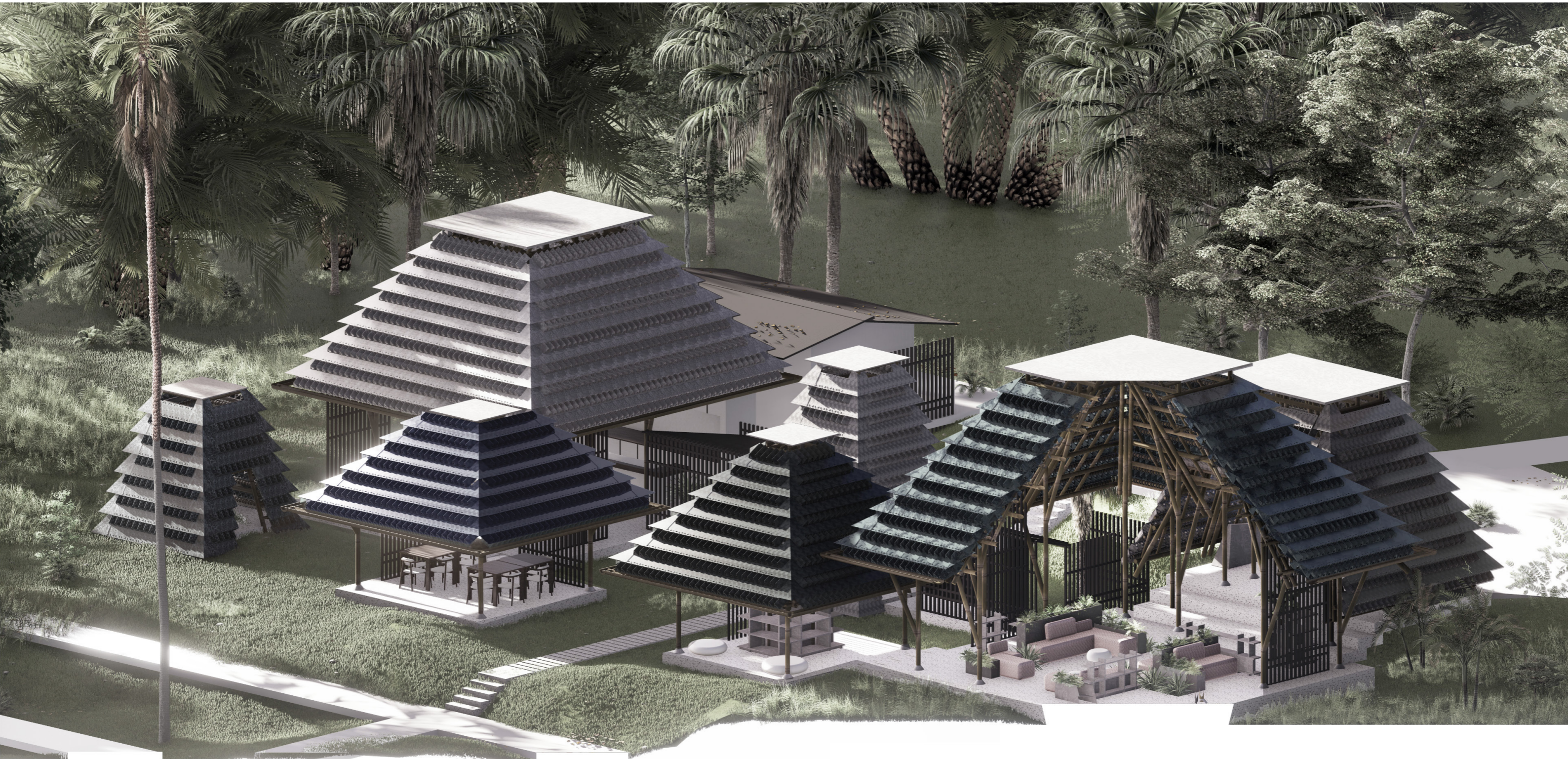
VIEW OF COMMUNAL SPACE



VIEW OF LIVING ROOM



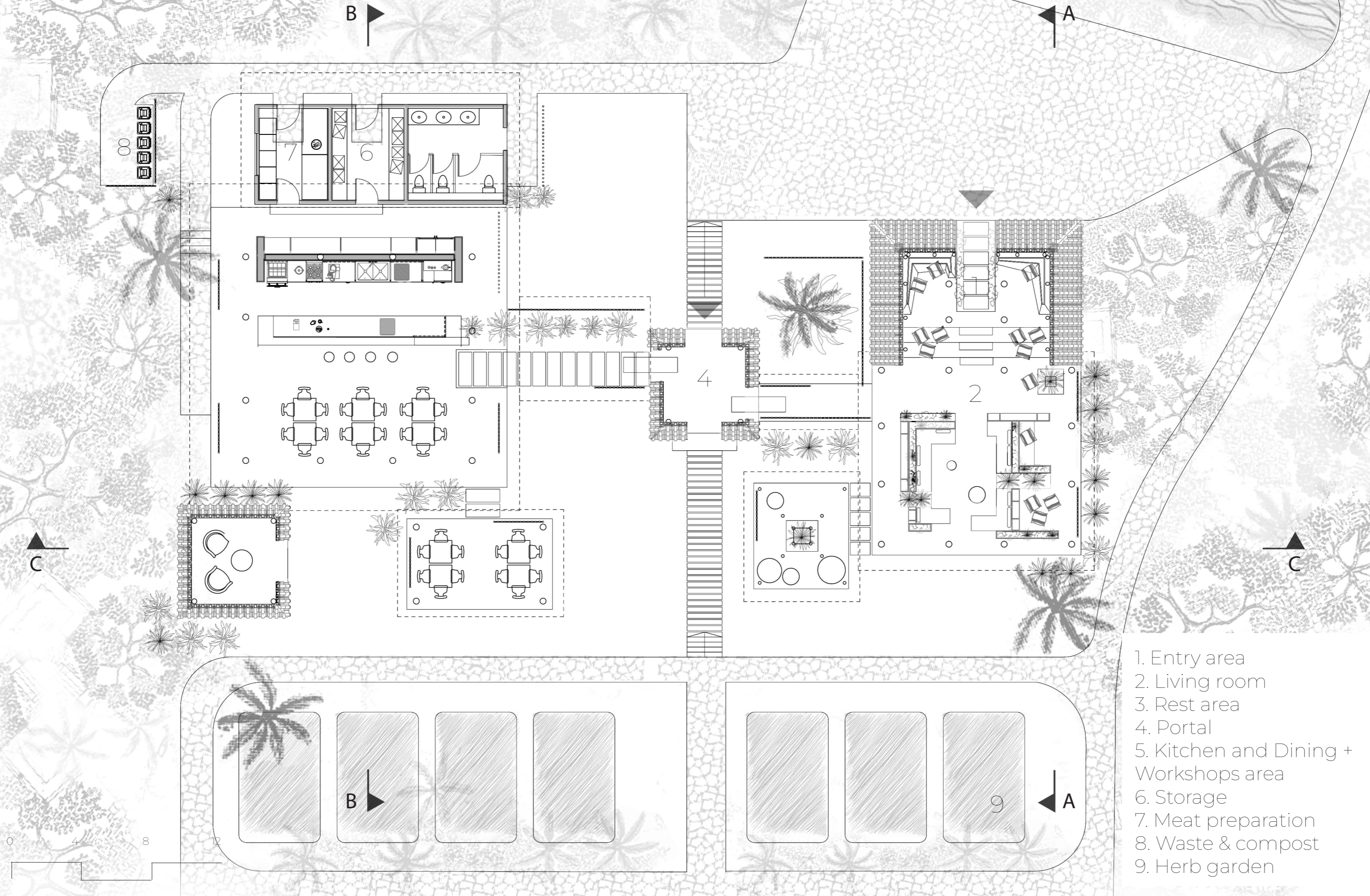
PAVILION OVERVIEW



VIEW OF DINING AREA



LIVING ROOM PAVILION PLAN



- 1. Entry area
- 2. Living room
- 3. Rest area
- 4. Portal
- 5. Kitchen and Dining + Workshops area
- 6. Storage
- 7. Meat preparation
- 8. Waste & compost
- 9. Herb garden

0 4 8 12

SITE MASTER PLAN



bamboo bike

kids area

event space & art area

temporary shelter

counselling; meditation

Individual huts

living/lounge

reception

juice bar

lobby area and shop

farm

kitchen/dining

Visitor accommodation

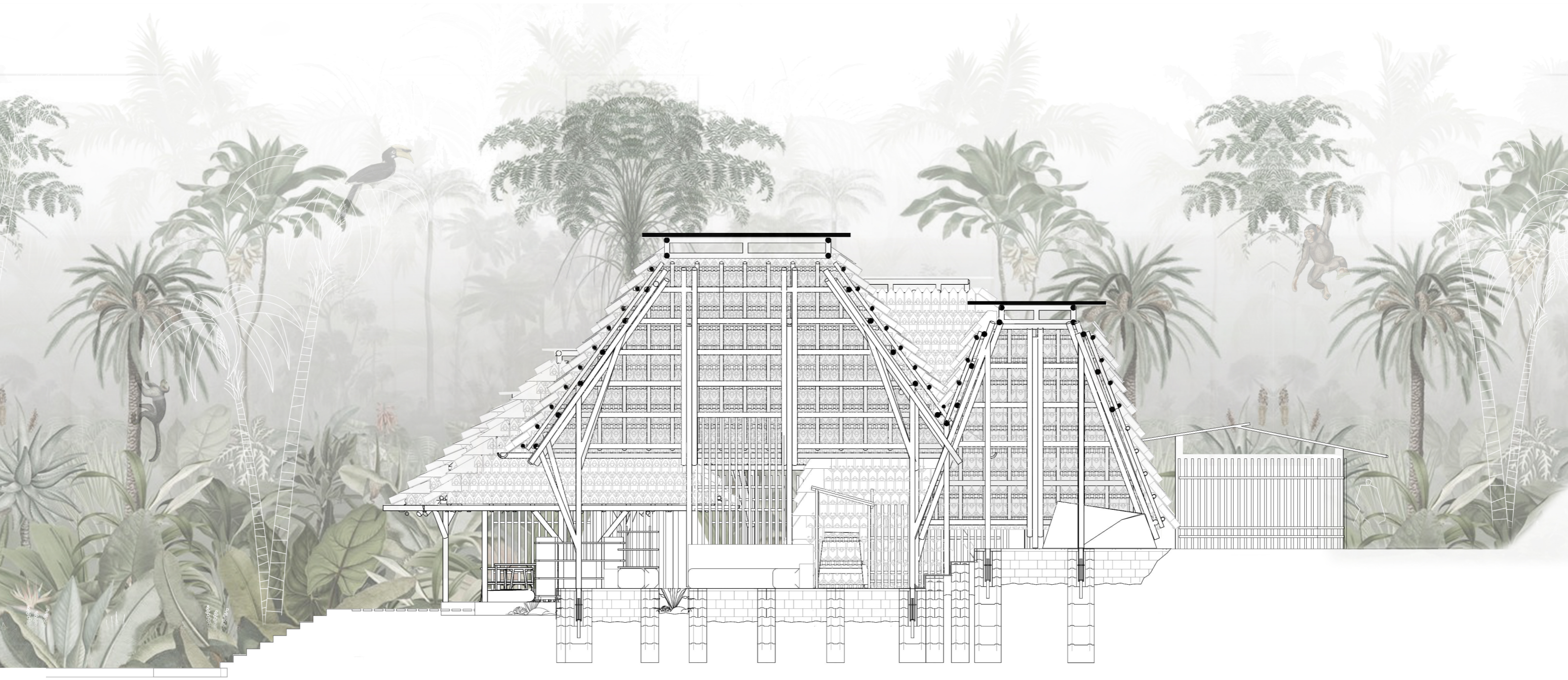
service room

0 10 20 30

SITE SECTION



LIVING ROOM SECTION AA



0 2 4 6



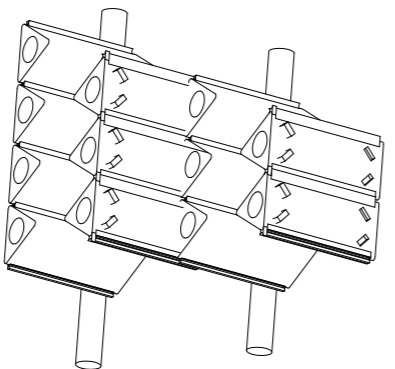
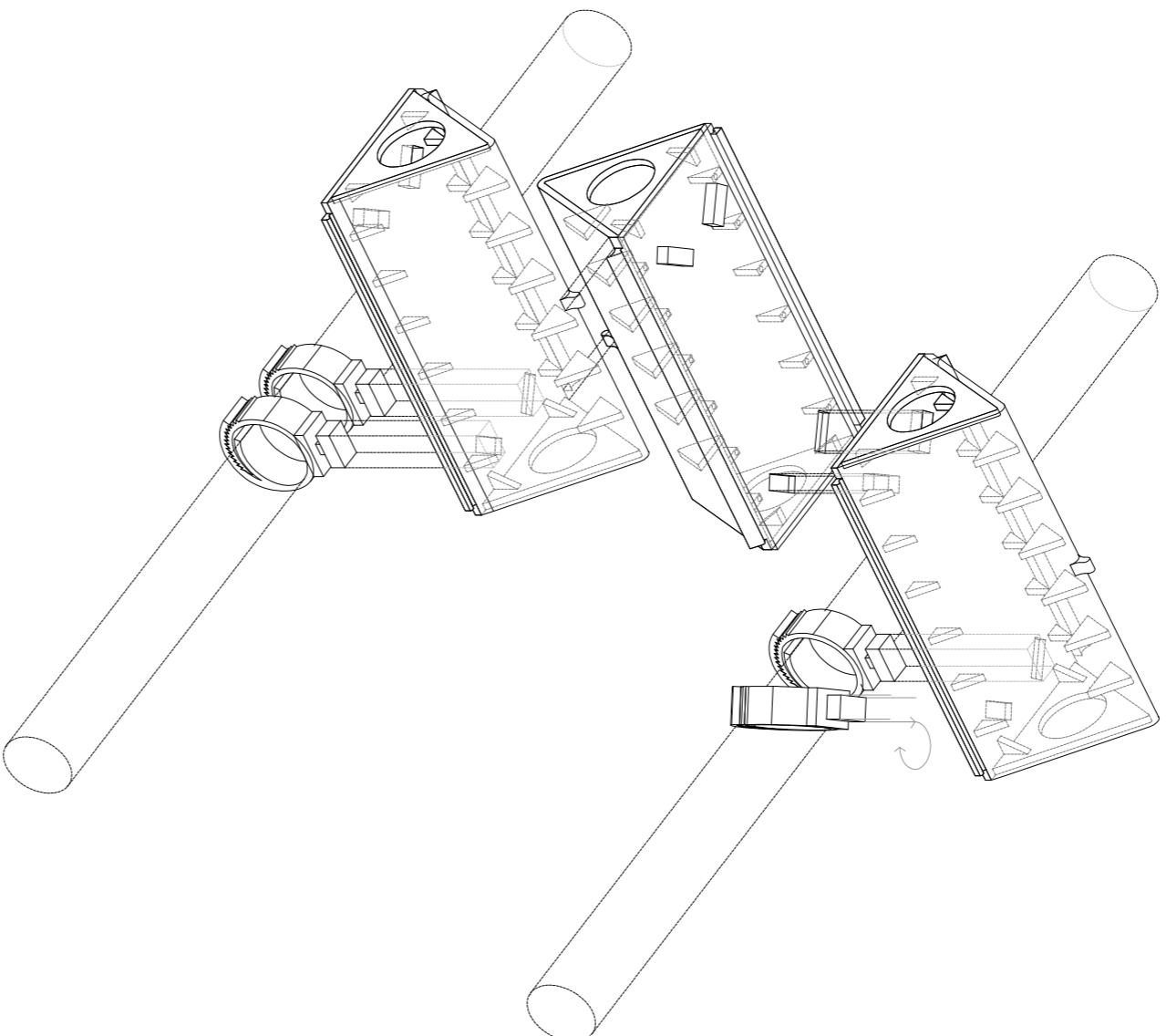
LIVING ROOM SECTION BB



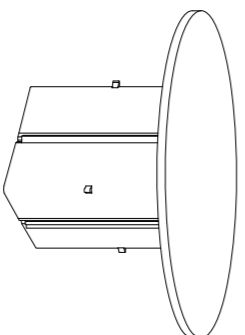
0 2 4 6



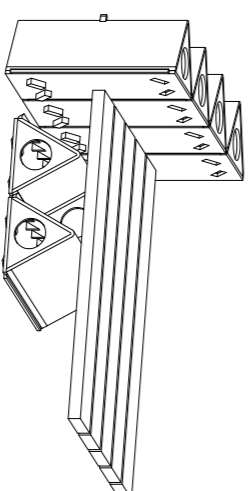
ROOF TILE APPLICATIONS



Roof tile

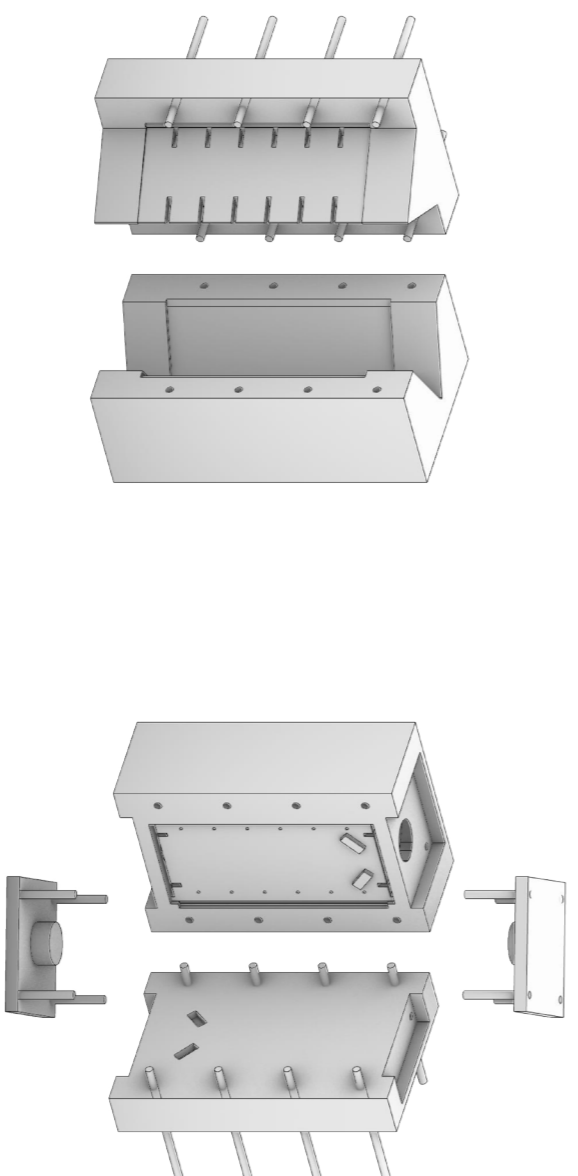
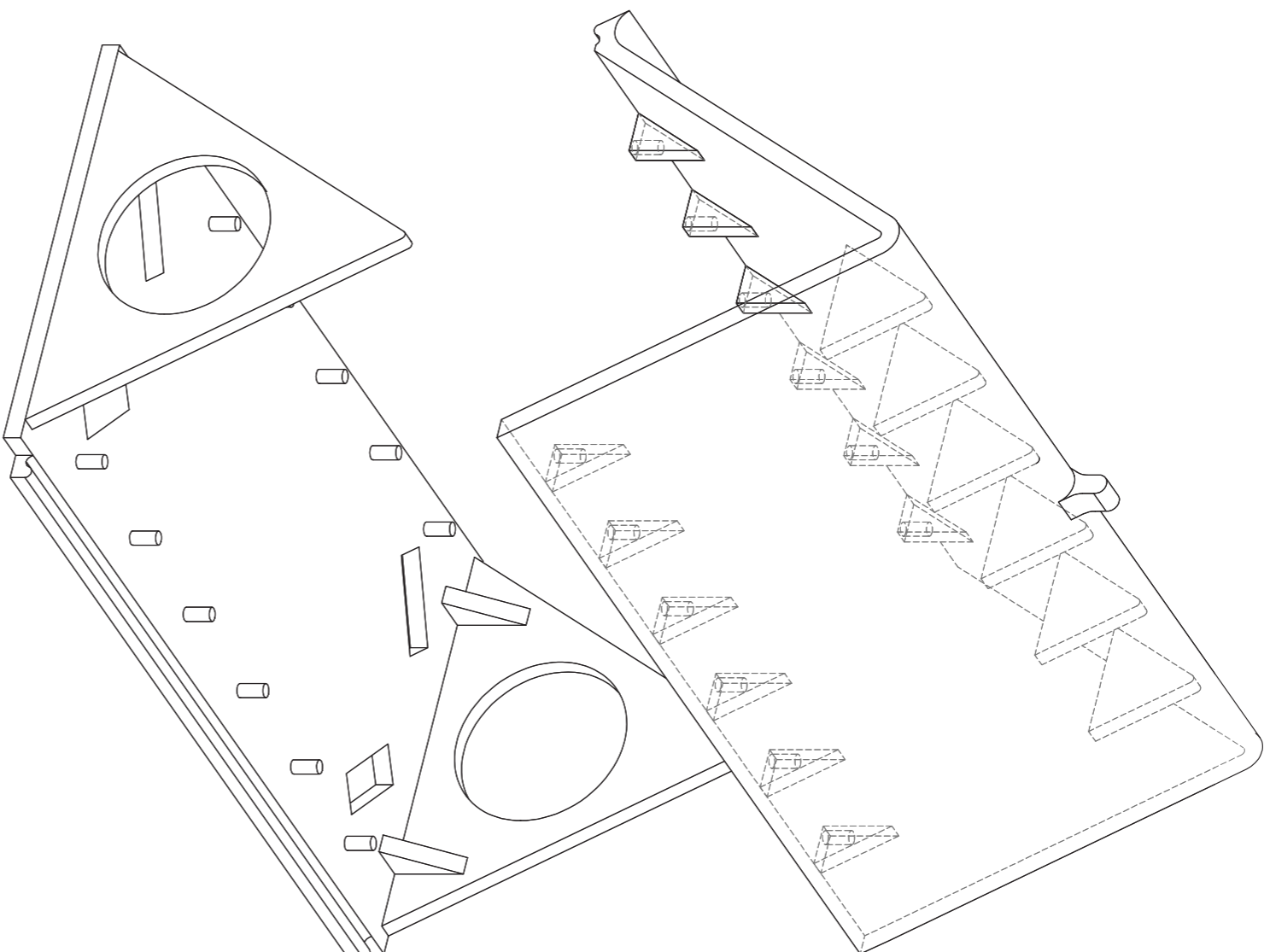


Furniture



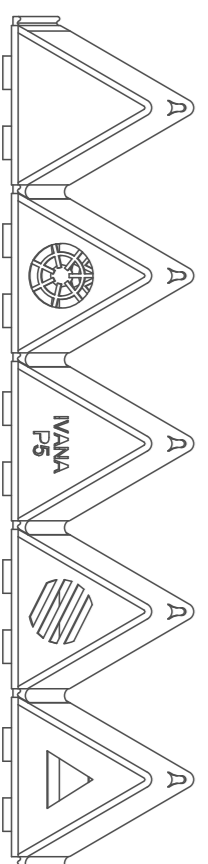
Structural support

ROOF TILE MANUFACTURING

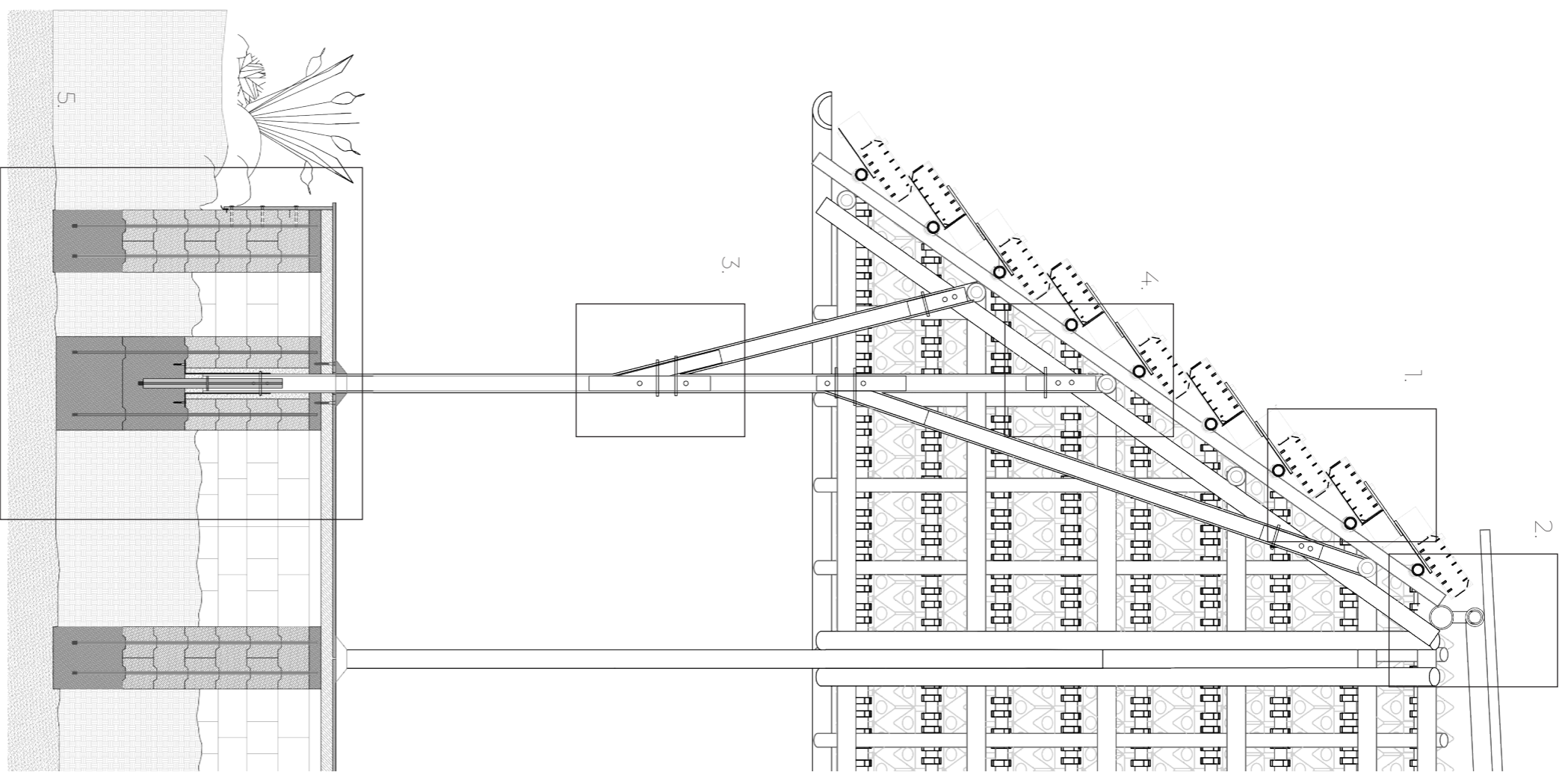
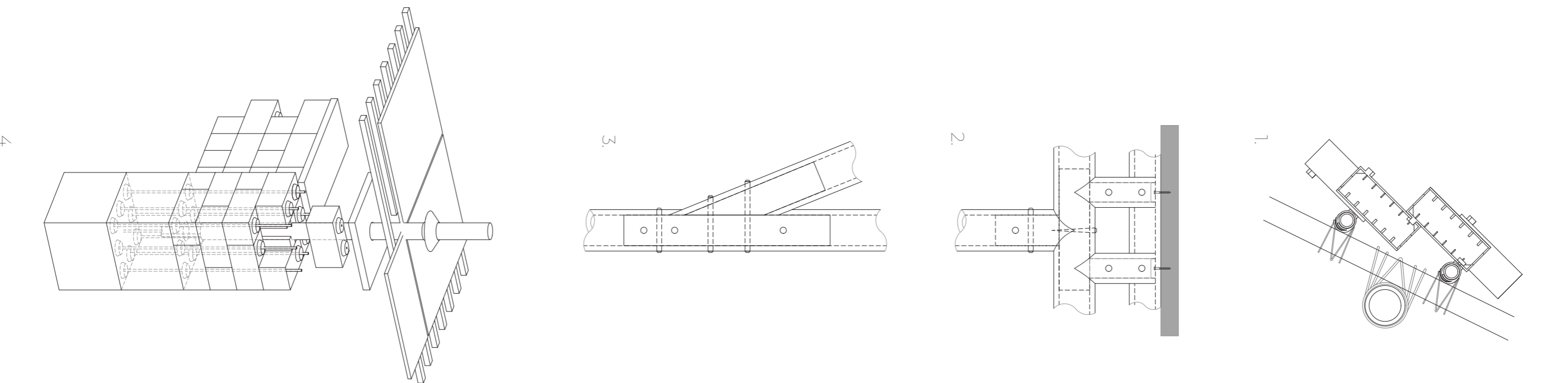


Mould top part

Mould bottom part



CHARACTERISTIC DETAILS



Bamboo connections

1. Roof tile element to bamboo:
 - Clipping of the tile
 - Lashing (tying) of bamboo battens
2. Bamboo beam to roof top
3. Bamboo to bamboo:
 - wood cylinder reinforcement bamboo dowels

Column to foundation

- Bamboo pile
- Plastic footing element
- Concrete filling
- Steel reinforcement
- Sand filling
- 1-2cm cement mortar

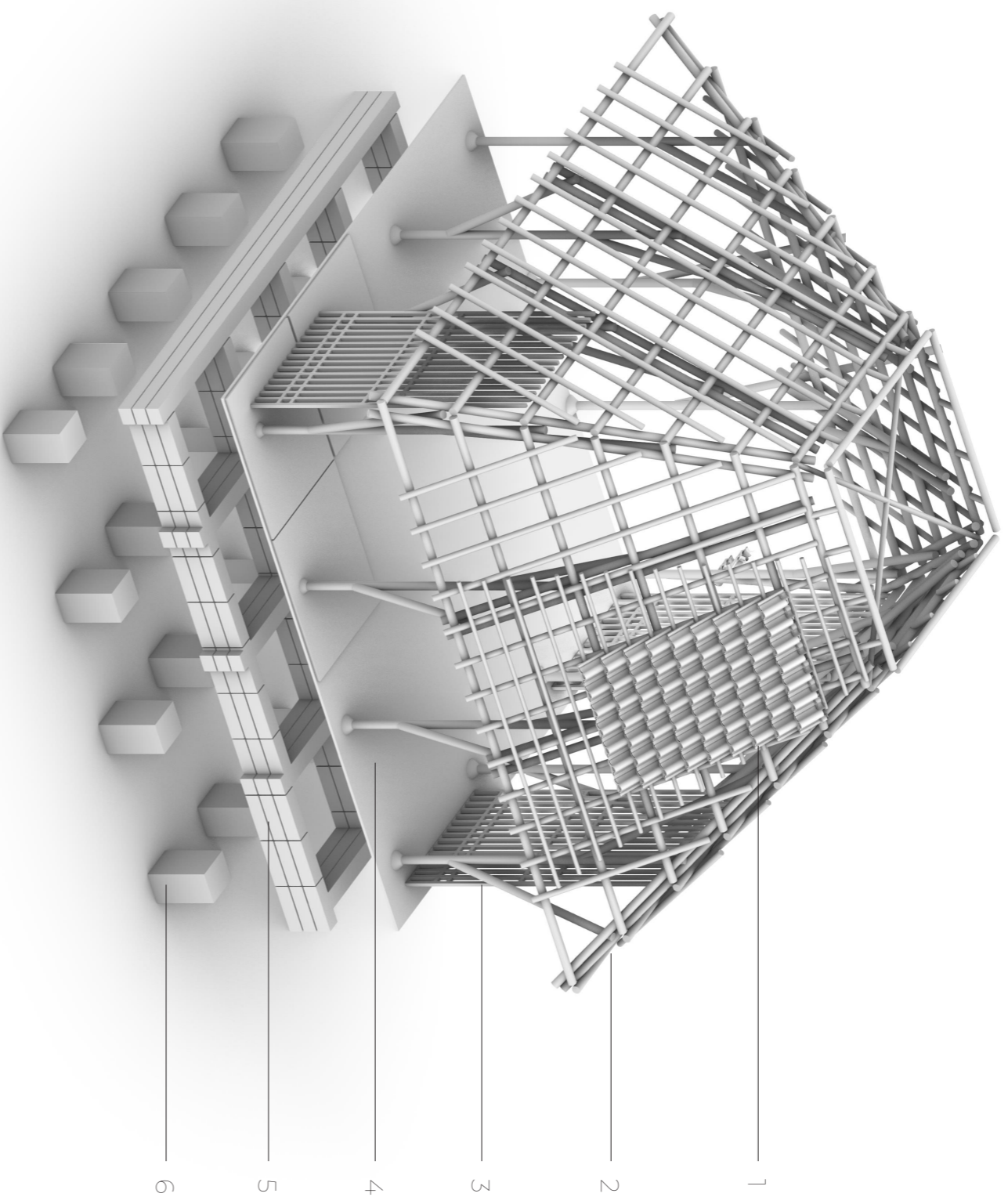
Floor and plinth

- Recycled plastic sheets
- Compressed plastic blocks
- Steel screws, waterproof cap

Base layers

- Waterproof membrane
- Compressed sand
- Gravel
- Soil

MATERIALISATION



- 1 Plastic roof tile (bespoke)
- 2 Bamboo structure and sub-structure
- 3 Partition walls - extrusion moulded plastic lumber
- 4 Pressed plastic sheets finish
- 5 Compressed plastic blocks plinth
- 6 Solid plastic block foundations
- + Plastic or palm wood furniture



3



4



6