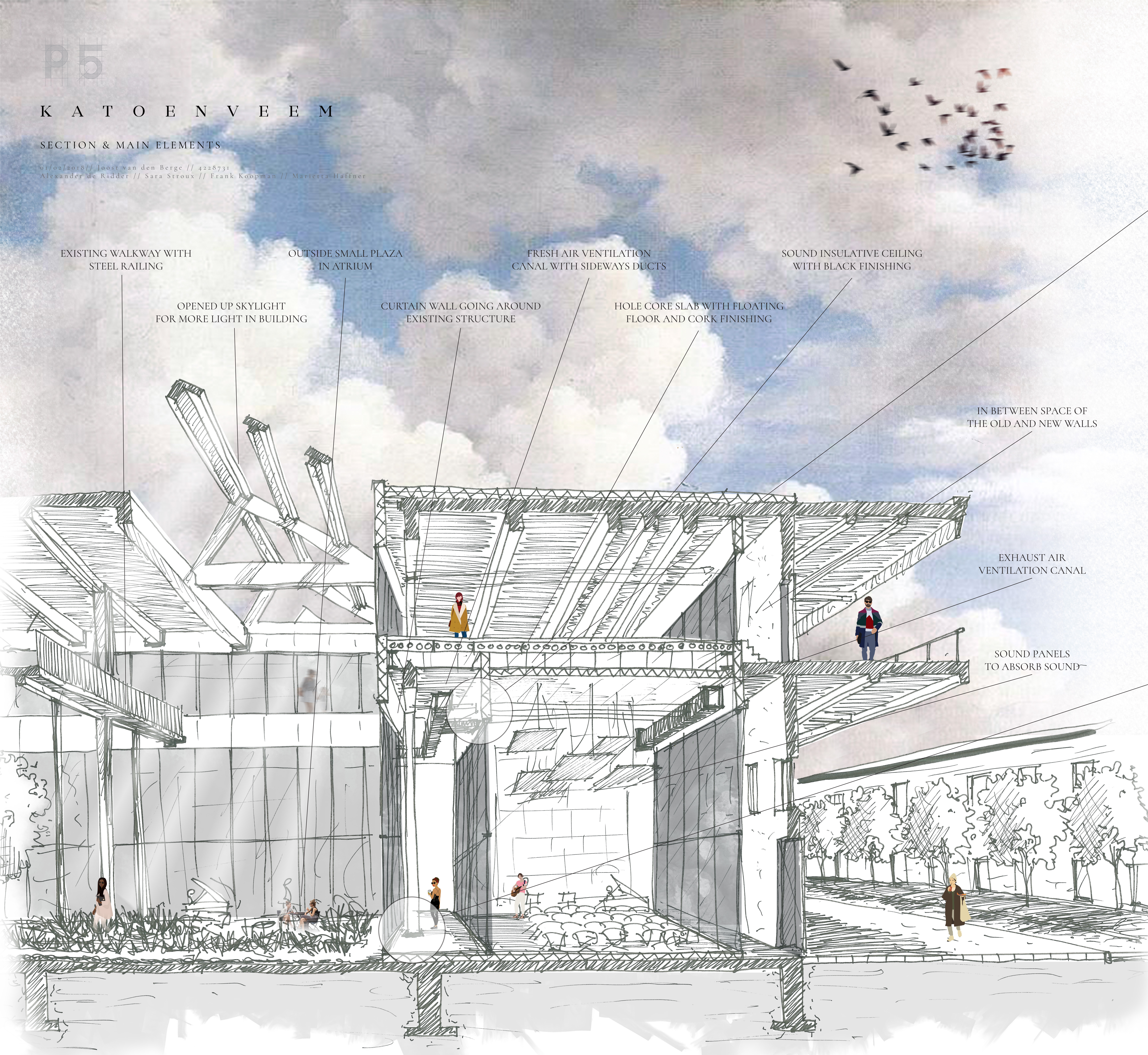


# K A T O E N V E E M

## SECTION & MAIN ELEMENTS

01/02/2018 // Joost van den Berge // 4228731  
Alexander de Ridder // Sara Stroux // Frank Koopman // Marietta Haffner



EXISTING WALKWAY WITH STEEL RAILING

OUTSIDE SMALL PLAZA IN ATRIUM

FRESH AIR VENTILATION CANAL WITH SIDWAYS DUCTS

SOUND INSULATIVE CEILING WITH BLACK FINISHING

OPENED UP SKYLIGHT FOR MORE LIGHT IN BUILDING

CURTAIN WALL GOING AROUND EXISTING STRUCTURE

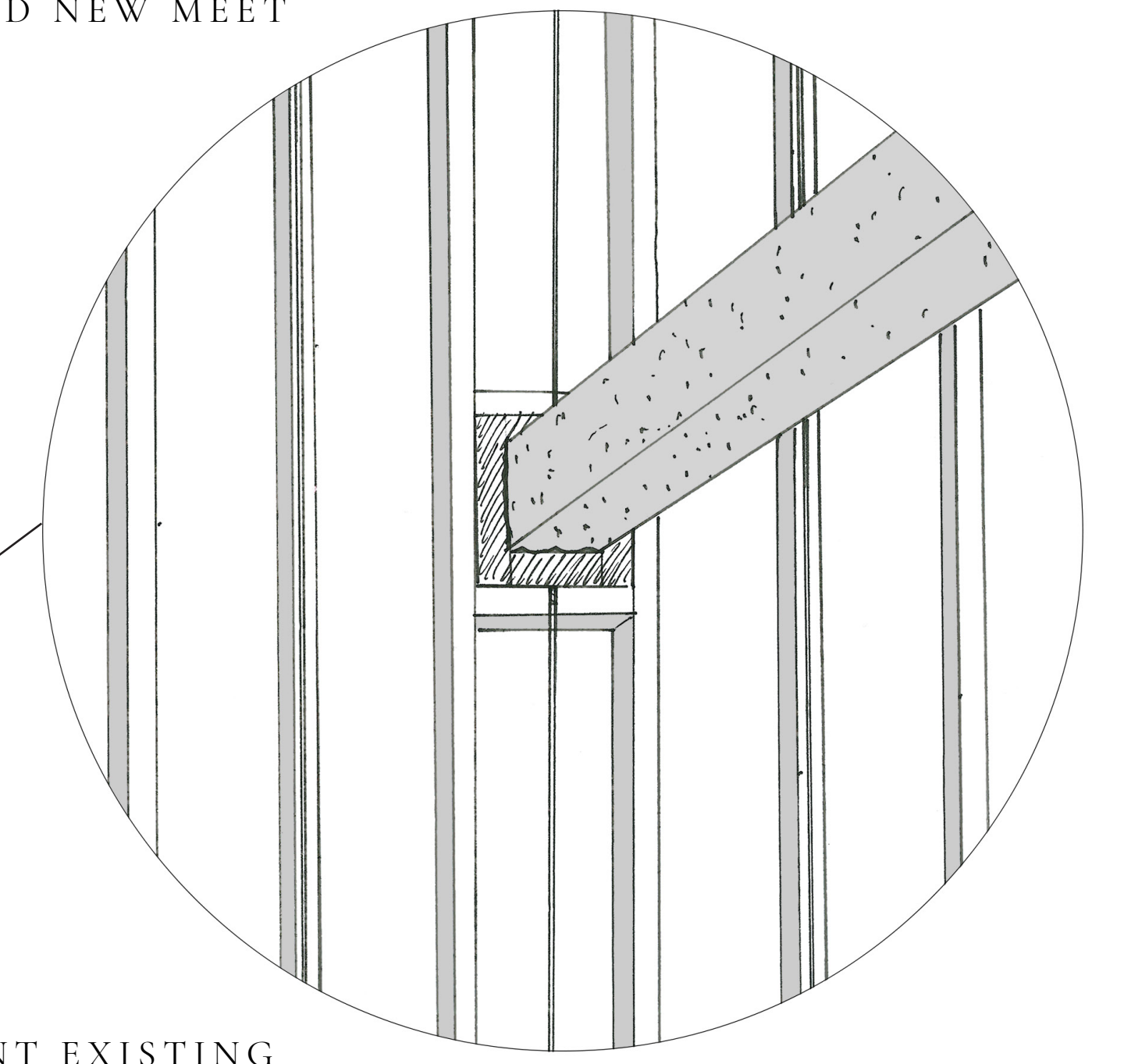
HOLE CORE SLAB WITH FLOATING FLOOR AND CORK FINISHING

IN BETWEEN SPACE OF THE OLD AND NEW WALLS

EXHAUST AIR VENTILATION CANAL

SOUND PANELS TO ABSORB SOUND

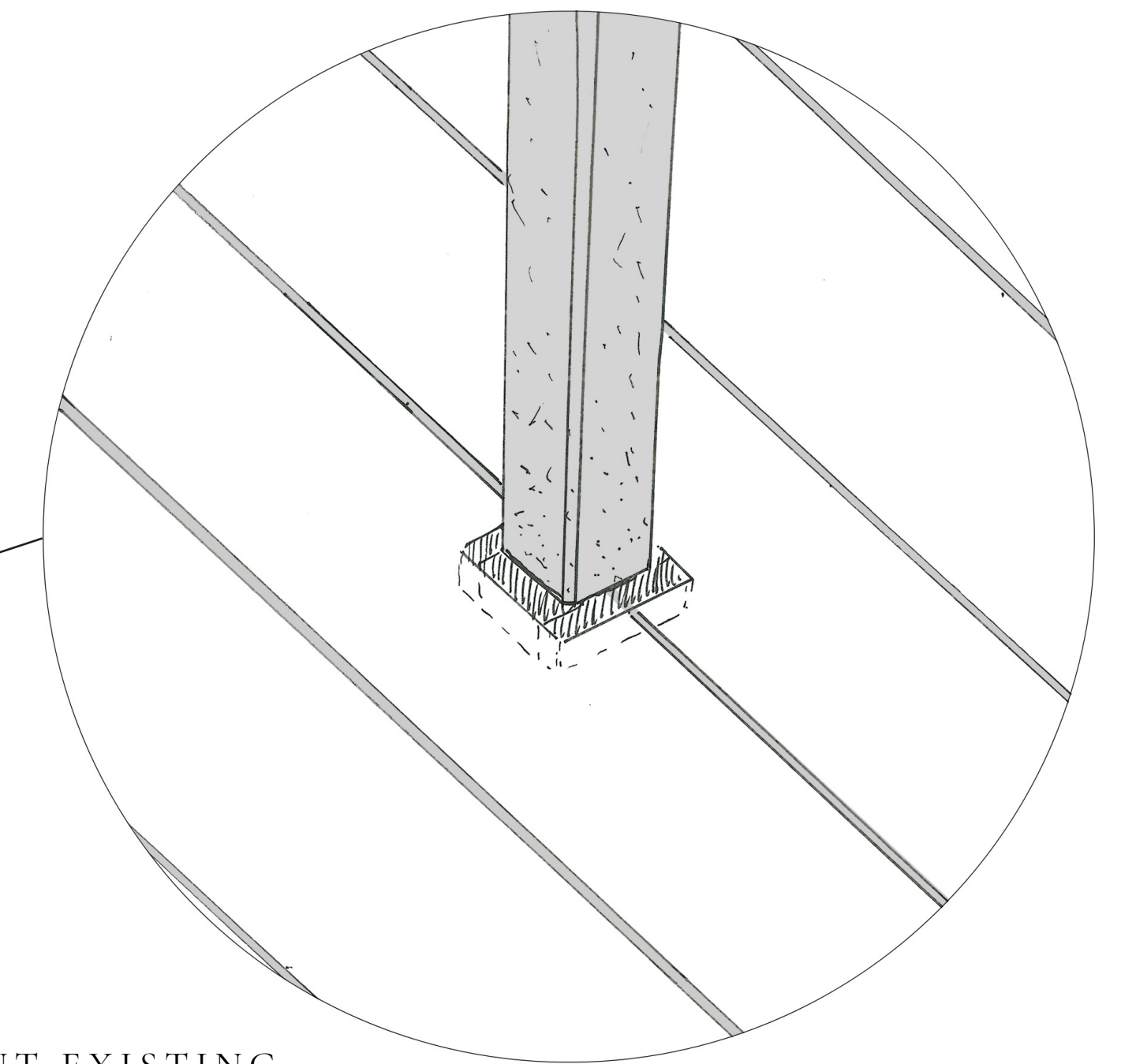
WHEN OLD AND NEW MEET



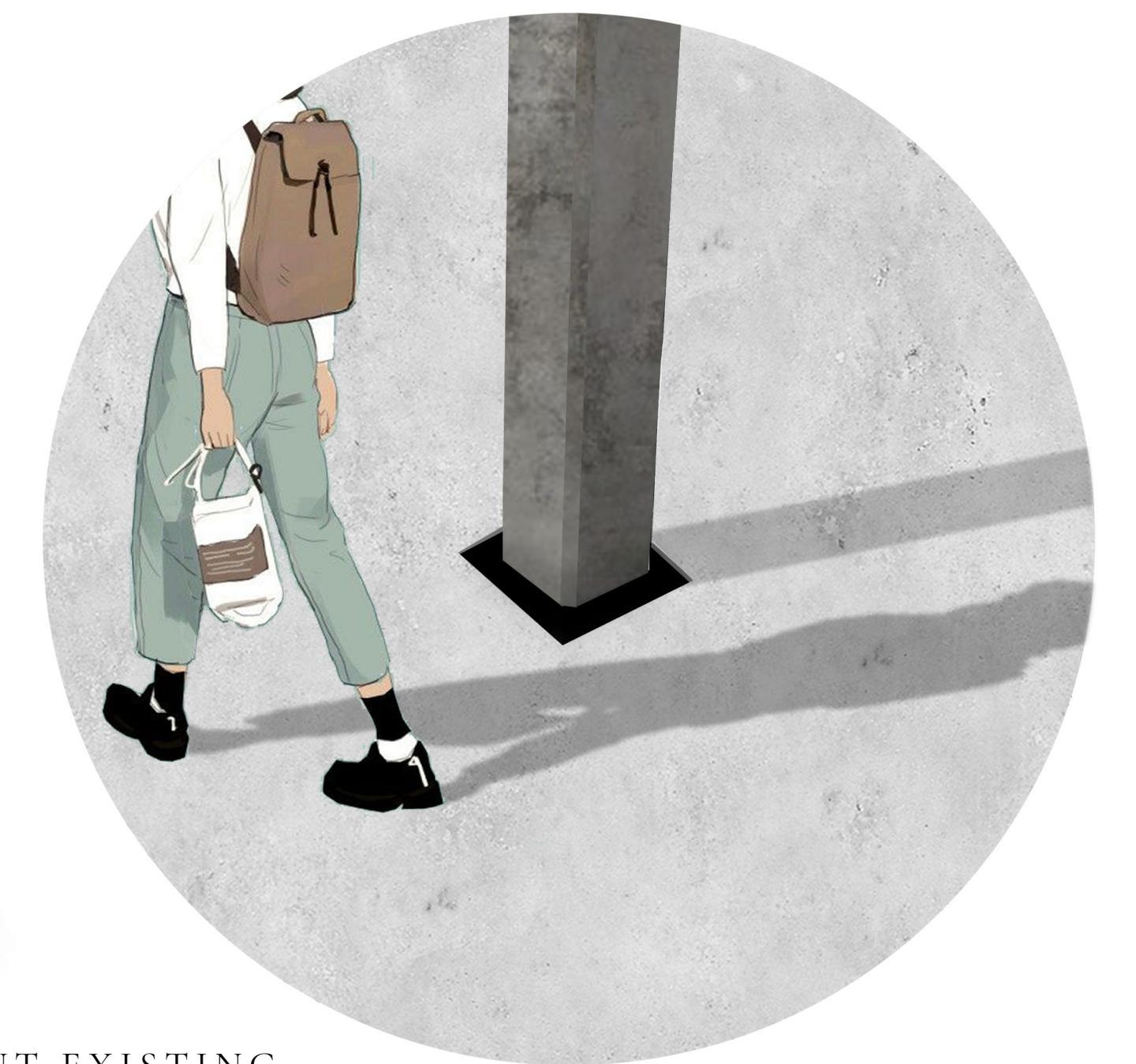
MEETING POINT EXISTING BEAM AND NEW WALLS



MEETING POINT EXISTING BEAM AND NEW WALLS FINISHED



MEETING POINT EXISTING COLUMN AND NEW FLOOR



MEETING POINT EXISTING COLUMN AND NEW FLOOR FINISHED