

## 3.2 A Chopper-Stabilized Amplifier with a Relaxed Fill-In Technique and 22.6pA Input Current

Rooijers, C.T.; Huijsing, Johan H.; Kofi, Kofi A.

**DOI**

[10.1109/ISSCC42615.2023.10067656](https://doi.org/10.1109/ISSCC42615.2023.10067656)

**Publication date**

2023

**Document Version**

Final published version

**Published in**

2023 IEEE International Solid-State Circuits Conference, ISSCC 2023

**Citation (APA)**

Rooijers, C. T., Huijsing, J. H., & Kofi, K. A. (2023). 3.2 A Chopper-Stabilized Amplifier with a Relaxed Fill-In Technique and 22.6pA Input Current. In *2023 IEEE International Solid-State Circuits Conference, ISSCC 2023* (pp. 56-58). (Digest of Technical Papers - IEEE International Solid-State Circuits Conference; Vol. 2023-February). IEEE. <https://doi.org/10.1109/ISSCC42615.2023.10067656>

**Important note**

To cite this publication, please use the final published version (if applicable). Please check the document version above.

**Copyright**

Other than for strictly personal use, it is not permitted to download, forward or distribute the text or part of it, without the consent of the author(s) and/or copyright holder(s), unless the work is under an open content license such as Creative Commons.

**Takedown policy**

Please contact us and provide details if you believe this document breaches copyrights. We will remove access to the work immediately and investigate your claim.

***Green Open Access added to TU Delft Institutional Repository***

***'You share, we take care!' - Taverne project***

**<https://www.openaccess.nl/en/you-share-we-take-care>**

Otherwise as indicated in the copyright section: the publisher is the copyright holder of this work and the author uses the Dutch legislation to make this work public.

### 3.2 A Chopper-Stabilized Amplifier with a Relaxed Fill-In Technique and 22.6pA Input Current

Tijje Rooijers<sup>1,2</sup>, Johan H. Huijsing<sup>1</sup>, Kofi A. A. Makinwa<sup>1</sup>

<sup>1</sup>Delft University of Technology, Delft, The Netherlands,

<sup>2</sup>now at Broadcom, Bunnik, The Netherlands

In chopper amplifiers, the interaction between the input signal and the chopper clock can cause intermodulation distortion (IMD). This is due to amplifier delay, which causes signal transitions generated by the input chopper to arrive at the amplifier's output slightly later than the corresponding clock transitions of the output chopper. This causes large signal-dependent spikes in the final output, which can significantly degrade amplifier linearity, especially at input frequencies near even multiples of the chopping frequency  $F_{CH}$ , which will cause IMD tones near DC. In [2-4], spread-spectrum clocks are used to convert such tones into noise-like signals. However, this increases the noise floor, without solving the underlying problem. Recently, it has been shown that such spikes can be eliminated by using the fill-in technique [1], in which two identical OTAs are chopped in quadrature, allowing a spike-free output to be generated by switching between their outputs in a ping-pong fashion.

Figure 3.2.1 illustrates how the delay of a chopped main OTA ( $G_{m1}$ ) causes large spikes in its output current ( $I_{out1}$ ) around the chopping transitions. By switching to the output of a fill-in OTA, a spike-free output current can be generated, thus mitigating chopper-induced IMD. In [1], this switching was done with a 50% duty-cycle, and so two chopped OTAs with the same low offset and  $1/f$  noise are required. In this work, the fill-in OTA is only used briefly, greatly relaxing its offset and  $1/f$  noise requirements and obviating the need for chopping. This approach also saves power, since the relaxed fill-in OTA can be turned "off" most of the time. Furthermore, the reduced input switching activity compared to [1], and the use of non-overlapping chopper clocks results in more than 25 $\times$  less input current.

To mitigate the ripple at the chopping frequency  $F_{CH}$  caused by their up-modulated offset, the chopped OTAs in [1] were also auto-zeroed. However, the noise-folding inherent to auto-zeroing then causes a noise "bump" around  $F_{CH}$ . In this work, since the fill-in OTA is not chopped, only the offset of the main OTA needs to be reduced. This is achieved by a continuous-time ripple-reduction loop (RRL), which does not suffer from noise folding and thus, results in a flat noise spectrum.

A simplified block diagram of the proposed chopper-stabilized amplifier is shown in Fig. 3.2.2. It consists of a main amplifier ( $A_{MAIN}$ ), whose offset (and  $1/f$  noise) will appear between its input terminals when it is used in a negative feedback configuration, where it can be sensed and corrected by a chopped auxiliary amplifier. In this work, the offset of a two-stage main amplifier (folded-cascode 1<sup>st</sup> stage and Class AB 2<sup>nd</sup> stage) is suppressed by a three-stage auxiliary amplifier. To mitigate its own offset ( $V_{os1}$ ), the auxiliary amplifier employs a chopped OTA ( $G_{m1}$ , folded-cascode), followed by an integrator ( $G_{mINT}$ , folded-cascode,  $C_{int1,2} = 36pF$ ), and a correction OTA ( $G_{mCOR}$ , telescopic). The fill-in OTA ( $G_{m2}$ ) is a non-chopped replica of  $G_{m1}$ . Simulations show that its offset ( $< 1mV$ ) has a negligible effect on the residual offset of the overall amplifier and causes a small ( $< 3\mu V_{rms}$ ) tone at  $2F_{CH}$  (40kHz). Similarly, its  $1/f$  noise also has a negligible effect, resulting in an overall  $1/f$  noise corner of only 2Hz in simulation.

The choppers are driven by a constant- $V_{DD}$  clock generator to ensure that their charge injection mismatch, and hence the resulting residual offset and input current, is insensitive to input voltage. The clock generator also generates the non-overlapping clocks needed to guarantee that the switches of the input chopper are never all turned "on", thus eliminating a potential source of input current.

The RRL consists of two capacitors  $C_{s1,2}$  (3.6pF) that sense the triangular ripple caused by  $V_{os1}$  at the output of the integrator formed by  $G_{mINT}$  and  $C_{int1,2}$ . The resulting current is then demodulated and integrated by the RRL integrator formed by  $G_{mINT1}$  and  $C_{int3,4}$  (9pF each). Its output is applied to  $G_{mRRL}$ , which cancels  $V_{os1}$  by injecting a correction current into  $G_{m1}$ . Since the amplitude of the ripple is limited by the offset of  $G_{mINT1}$ , this is auto-zeroed with the help of  $C_{AZ1}$  and  $C_{AZ2}$  (4pF each).

However, the RRL can also create chopper-induced IMD, since the signal transitions caused by its ripple-demodulating choppers are delayed by the RRL integrator before they reach the output choppers of  $G_{m1}$ . In this design, this extra source of IMD is suppressed in two ways. First, the contribution of the RRL to the output current of  $G_{m1}$  is minimized by using a large  $G_{m1}/G_{mRRL}$  ratio. However, this is limited to  $\sim 600\times$  by the swing of  $G_{mINT1}$  and the expected magnitude of  $V_{os1}$ . In simulation, this limits the resulting IMD to  $-100dB$ . To lower this further, a sample-and-hold is used to freeze the input of  $G_{mRRL}$  just before each chopping transition. Further lowpass filtering is achieved by using a small sampling capacitor  $C_s (=0.5pF)$  to drive a larger hold capacitor  $C_H (=7.2pF)$ . These measures ensure that the overall IMD is not limited by the RRL.

Since  $G_{m2}$  is only used briefly, it can be turned "off" most of the time. To ensure that the process of turning it "on" and "off" does not itself cause input spikes and more distortion, three measures are taken. First, the OTA's bias current is not completely turned off, but

just significantly reduced (by 11 $\times$ ) to mitigate the change in the various biasing voltages. Second, a lowpass filter at the gates of the switched bias current sources of  $G_{m2}$  is used to slow down the bias-current transitions. Finally, these bias sources are isolated from the main bias-current generator and other blocks by an extra layer of current mirrors. Simulations show that these measures ensure that the resulting spikes are well below the noise floor, while incurring only a small power penalty. Switching the bias current of the fill-in OTA with a 20% duty-cycle (to allow sufficient settling) then results in a 76% power saving.

The opamp is realized in a 0.18 $\mu m$  CMOS BCD process (Fig. 3.2.7) and has an active area of 0.57mm<sup>2</sup>. It draws 620 $\mu A$  from a 5V supply, which drops to 530 $\mu A$  when the fill-in OTA is duty-cycled, a 15% power saving. The power breakdown (Fig. 3.2.5) shows that the contribution of the fill-in OTA is then only 10%. The opamp's voltage noise density is shown in Fig. 3.2.3 without chopping, with chopping and with the fill-in OTA turned "on" and "off" and compared with the extracted voltage noise density of [1]. Without chopping, the opamp has a  $1/f$  noise corner frequency of about 2kHz. With chopping, the use of an RRL eliminates the noise bump seen in [1], resulting in a flat noise floor with a lower (12nV/ $\sqrt{Hz}$ ) spectral density. The measured  $1/f$  corner is below 10Hz and is not affected when the fill-in OTA is enabled. Furthermore, no extra tones are created when it is duty-cycled, confirming the effectiveness of the various spike-mitigation measures. Some crosstalk from the external clock can be observed at 20, 60 and 80kHz.

A step response measurement shows the opamp has a slew rate of 2V/ $\mu s$  (up) and 1.4V/ $\mu s$  (down), with no extra ringing due to the RRL. Measurements on 15 samples with a 2.5V input CM voltage and  $F_{CH} = 20kHz$ , show that the opamp's offset does not exceed 0.8 $\mu V$  and that its input current remains below 4pA (Fig. 3.2.3 Bottom). Enabling and disabling fill-in only changes the offset slightly, confirming that not chopping the fill-in OTA does not significantly worsen the overall offset.

The input current at mid-supply is about 4pA, which, as predicted in [6], is roughly 4 $\times$  larger than that of an AZ-stabilized amplifier realized in a similar process [6]. Measurements show that the input current at mid-supply increases linearly with  $F_{CH}$ , indicating that it is mainly due to the charge injection mismatch of the input chopper switches. Figure 3.2.3 shows the input current vs input voltage characteristic of three samples: a typical sample, and two worst-case samples. All three draw more input current at low input voltages. Measurements of an un-connected pad show a similar trend, indicating that most of the input current at low input voltages is due to ESD diode leakage.

With the opamp configured as a buffer, a single 1V<sub>rms</sub> 79kHz ( $\sim 4F_{CH}$ ) input tone results in the output amplitude spectrum shown in Fig. 3.2.4 (Top). Without the fill-in technique (left), a large  $-102dB$  IMD tone is present at 1kHz ( $4F_{CH}-F_{in}$ ). With fill-in enabled, this drops by 24dB, to  $-125.7dB$  (right). Measurements on 5 samples show that the achieved IMD spreads between 123dB and 134.4dB, demonstrating good robustness. With a similar 39kHz tone ( $\sim 2F_{CH}$ ), the IMD tone is  $-112.8dB$  without fill-in and  $-128.5dB$  with fill-in, a 16dB improvement. At lower input frequencies ( $< 5kHz$ ), the IMD tones are below the  $-140dB$  noise floor. When two input tones are applied (79 and 80kHz, 0.5V<sub>rms</sub> each), the resulting amplitude spectrum is shown in Fig. 3.2.5. Without chopping, the IMD at 1kHz is  $-112.4dB$ , which increases to  $-106.9dB$  with chopping and with fill-in disabled. Enabling fill-in restores the IMD to  $-112.4dB$ , demonstrating that it effectively suppresses chopper-induced IMD. Without fill-in, measurements show that the residual ripple amplitude at  $2F_{CH}$  is around 0.7 $\mu V_{rms}$ . With fill-in, this increases to 2.5 $\mu V_{rms}$  for a worst-case sample with the largest fill-in OTA offset.

Figure 3.2.6 summarizes the opamp's performance and compares it to the state-of-the-art. It achieves similar IMD ( $-125.7dB @ 79kHz \sim 4F_{CH}$ ), with a much simpler architecture. Among the chopper amplifiers, it achieves the lowest input current (22.6pA max), only beaten by an AZ amplifier [5], with a trimmed input current and much higher IMD ( $-44dB$ ). Compared to [1], it achieves 25 $\times$  less input current and a lower flat white noise level (12nV/ $\sqrt{Hz}$ ) at similar supply current levels.

#### References:

- [1] T. Rooijers et al., "A Fill-In Technique for Robust IMD Suppression in Chopper Amplifiers," *IEEE JSSC*, vol. 56, no. 12, pp. 3583-3592, Dec. 2021.
- [2] Analog Devices Inc., "AD8551 data sheet", 1999, <[http://www.analog.com/media/en/technical-documentation/data-sheets/AD8551\\_8552\\_8554.pdf](http://www.analog.com/media/en/technical-documentation/data-sheets/AD8551_8552_8554.pdf)>.
- [3] Analog Devices Inc., "AD8571 data sheet", 1999, <[http://www.analog.com/media/en/technical-documentation/data-sheets/AD8571\\_8572\\_8574.pdf](http://www.analog.com/media/en/technical-documentation/data-sheets/AD8571_8572_8574.pdf)>.
- [4] V. Ivanov and M. Shaik, "A 10MHz-Bandwidth 4 $\mu s$ -Large-Signal-Settling 6.5nV/ $\sqrt{Hz}$ -noise 2 $\mu V$ -Offset Chopper Operational Amplifier," *ISSCC*, pp. 88-89, Feb. 2016.
- [5] T. Rooijers et al., "An Auto-Zero Stabilized Voltage Buffer with a Trimmed Input Current of 0.2pA," *ESSCIRC*, pp. 257-260, Sept. 2019.
- [6] T. Rooijers et al., "An Auto-Zero-Stabilized Voltage Buffer with a Quiet Chopping Scheme and Constant Sub-pA Input Current," *IEEE JSSC*, vol. 57, no. 8, pp. 2438-2448, Aug. 2022.

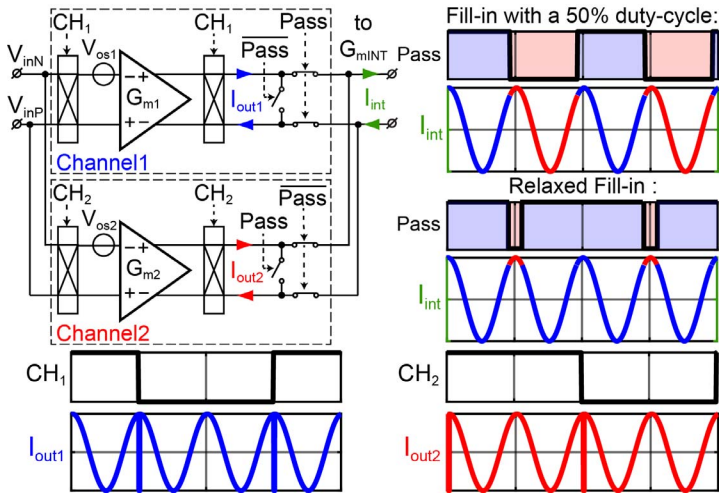


Figure 3.2.1: Fill-in implementation with two chopped OTAs and multiplexing switches (top left), the chopping signals and the resulting output current with spikes (bottom) and the timing diagram for two implementations of multiplexing (top right).

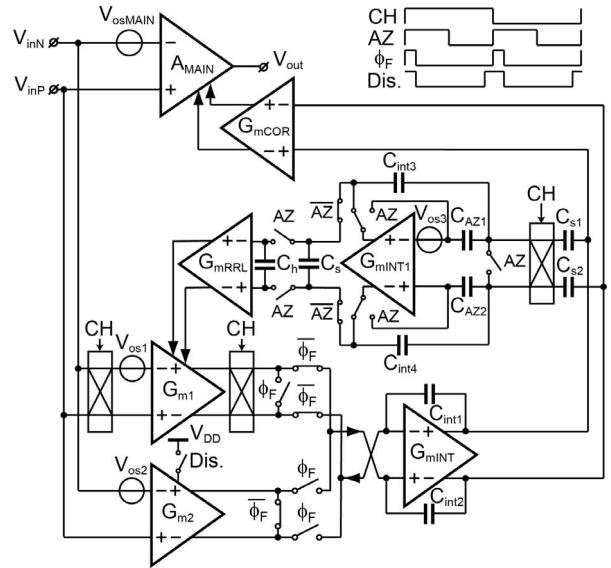


Figure 3.2.2: Simplified block diagram of the proposed Chopper-Stabilized Operational Amplifier.

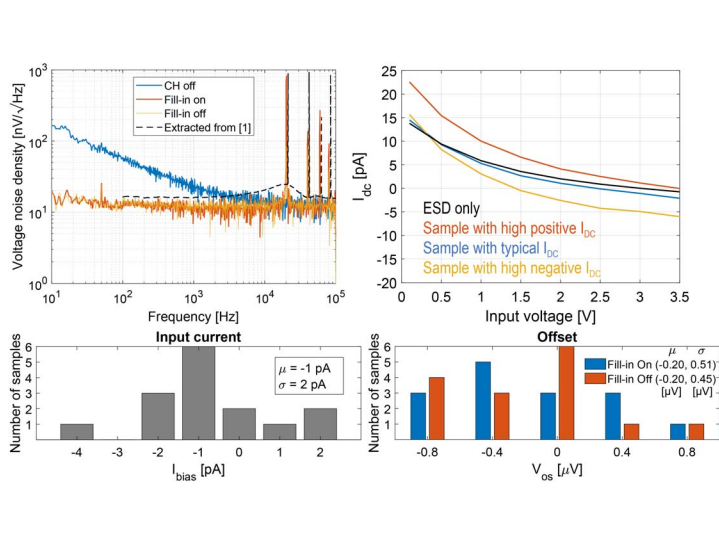


Figure 3.2.3: Voltage noise density vs frequency (top left) and input current vs input voltage (top right). Histogram of the offset and input current at 2.5V for 15 samples (bottom).

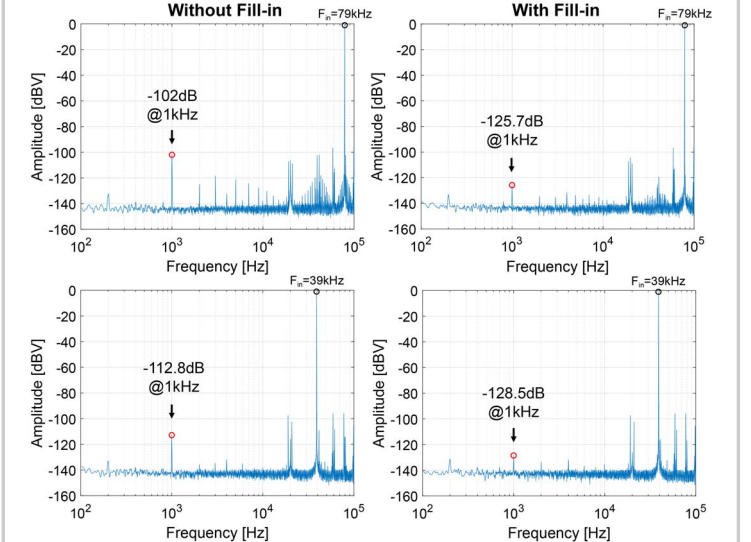


Figure 3.2.4: Measured amplitude spectrum (10 Averages) with a single-tone test for F<sub>in</sub> = 79kHz (Top) and F<sub>in</sub> = 39kHz (bottom) without and with fill-in (left & right respectively).

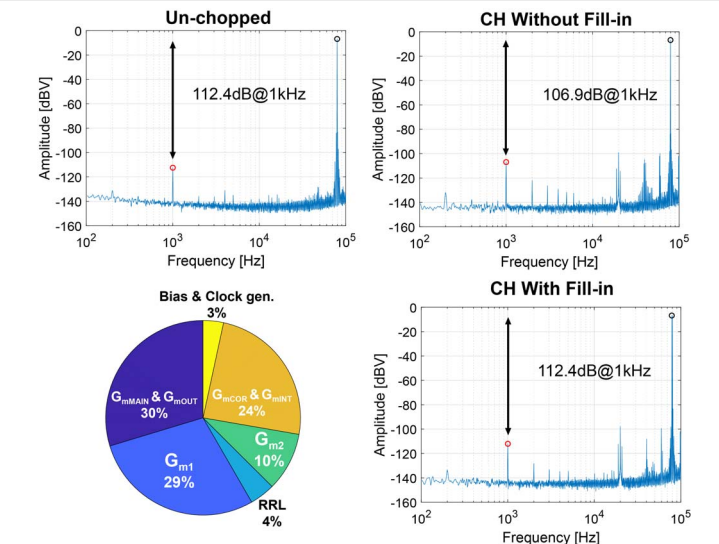


Figure 3.2.5: Two-tone test all in a non-inverting buffer configuration for un-chopped (top left), chopped without fill-in (top right) and chopped with fill-in (bottom right). Power breakdown (bottom left).

	This work	[1] Rooijers 2020	[2] AD8551	[3] AD8571	[4] Ivanov	[5] Rooijers 2019
DOC technique(s)	Chopping + RRL	Chopping + AZ	AZ	AZ	Chopping + RRL	AZ + Chopping
DOC frequency (kHz)	20	20	4	2 to 4	50 to 150	15
IMD tone (dB)	f <sub>in</sub> =79kHz -102 (No Fill-in) -125.7 (Fill-in)	f <sub>in</sub> =79kHz -97.7 (No Fill-in)	f <sub>in</sub> =0.5kHz -80 (Single)	f <sub>in</sub> =0.5kHz -	f <sub>in</sub> =1kHz -103 (Single) -122.7 (Spread)	f <sub>in</sub> =16kHz -44 (Single)
Offset (Max)	0.8μV	0.8μV	5μV	5μV	3.5μV	0.6μV
Input current (Max)	22.6pA	600pA	50pA	50pA	200pA	0.2pA
Voltage Noise Density (nV/√Hz)	12	16	42	51	6.5	20
GBW (MHz)	4.2	4.2	1.5	1.5	10	1.45
Slew rate (V/μs)	2 (up) 1.4 (down)	1.7	0.4	0.4	5	-
PSRR (dB)	124	124	130	130	135	125
Supply voltage	5V	5V	5V	5V	1.8-5.5V	1.8V
Supply current (mA)	0.62 (Duty off) 0.53 (Duty on)	0.55	0.85	0.85	1.65	0.21
Die Area (mm <sup>2</sup> )	1.25	1.25	-	-	1.626	1.4

Figure 3.2.6: Performance summary and comparison with previous works.

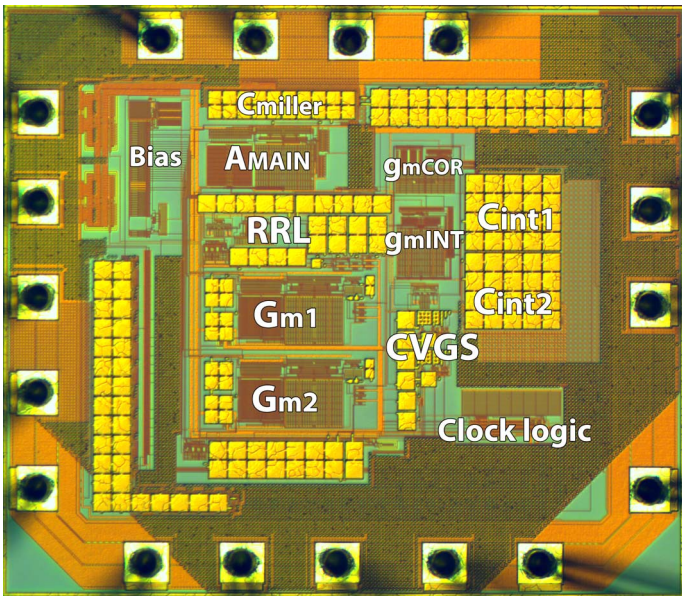


Figure 3.2.7: Die micrograph of the fabricated chip.