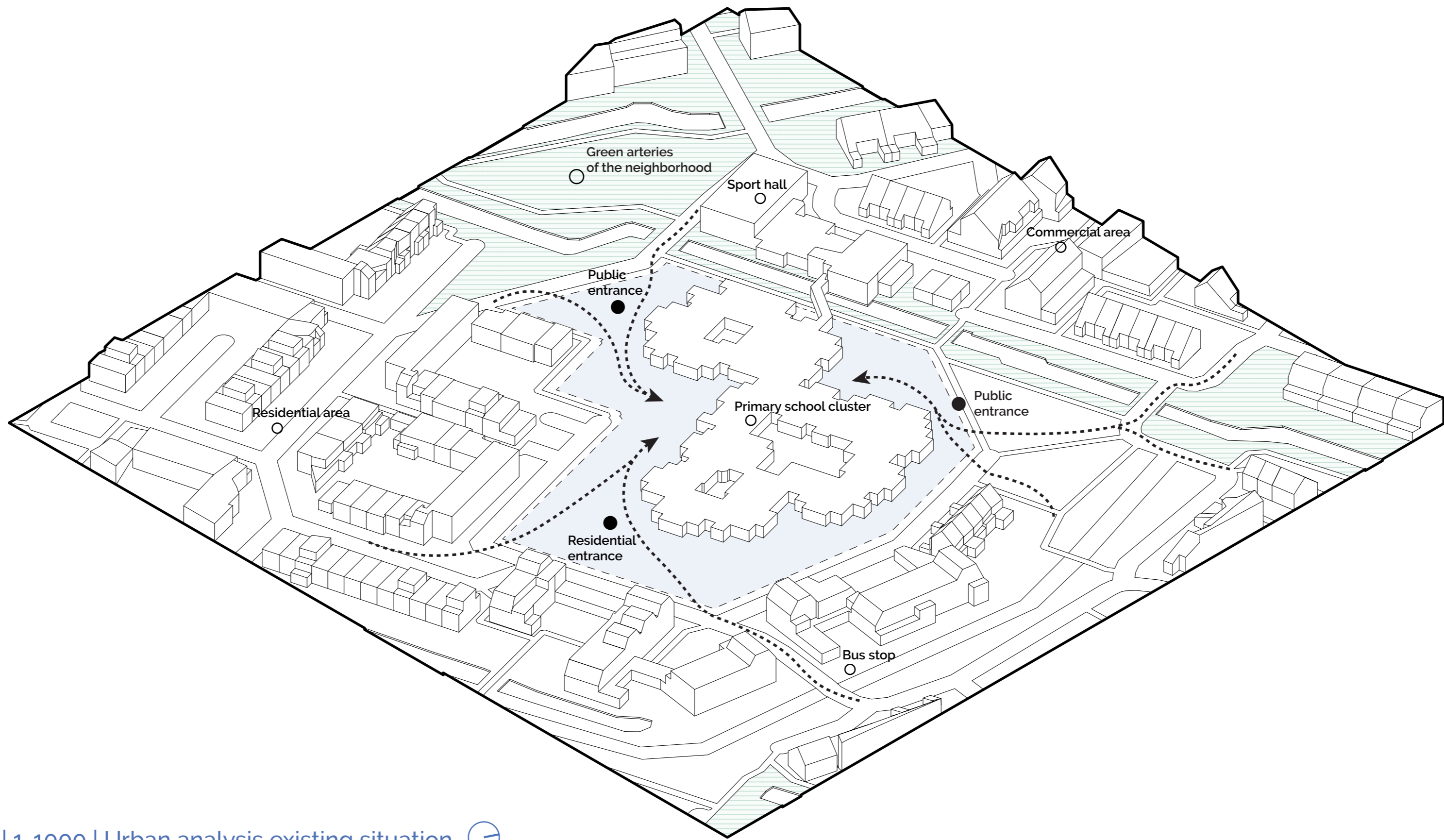
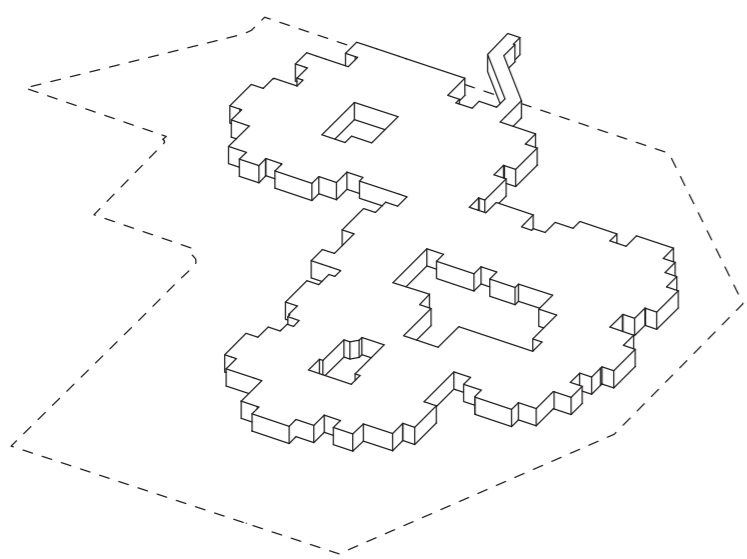


# HEALTH PROMOTING PUBLIC CENTER

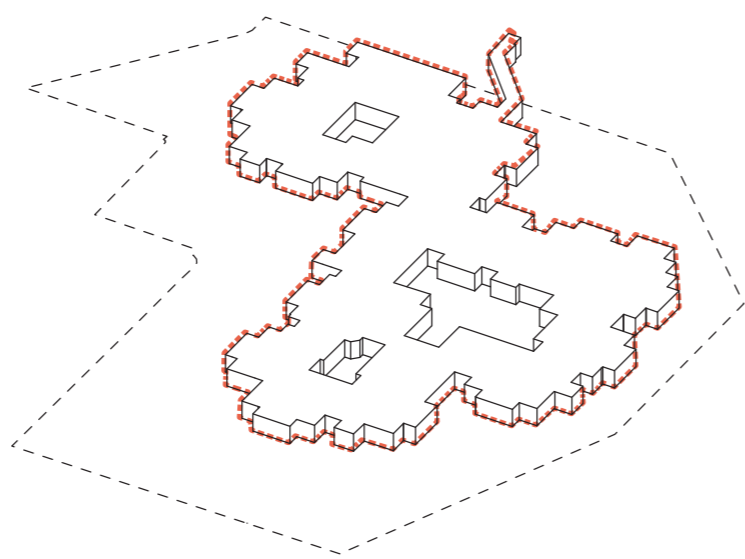
A building for the neighborhood that raises awareness to work towards a health-oriented society



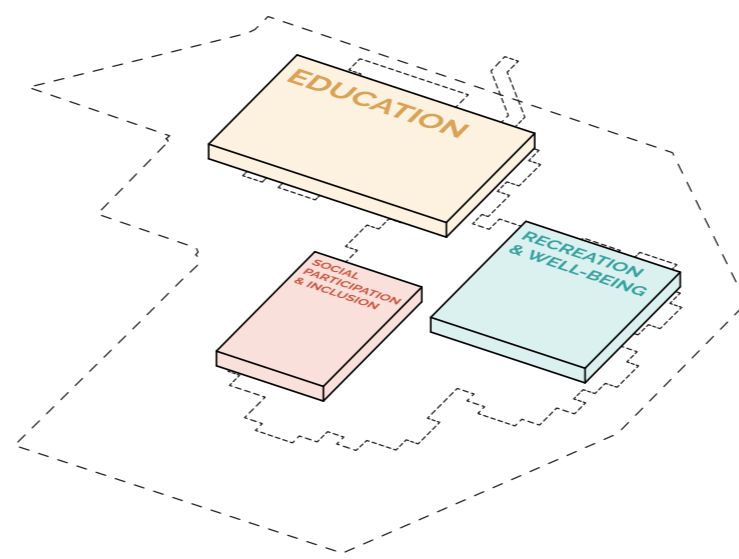
DESIGN LOCATION | 1-1000 | Urban analysis existing situation



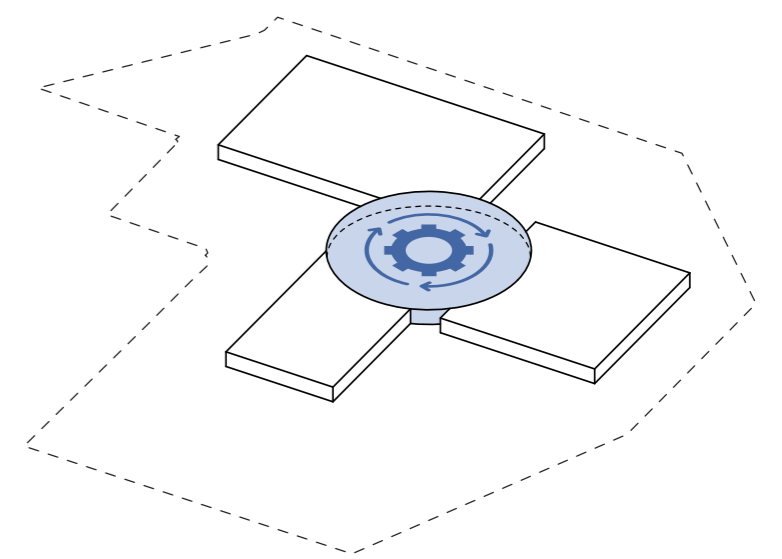
Adaptive reuse existing building



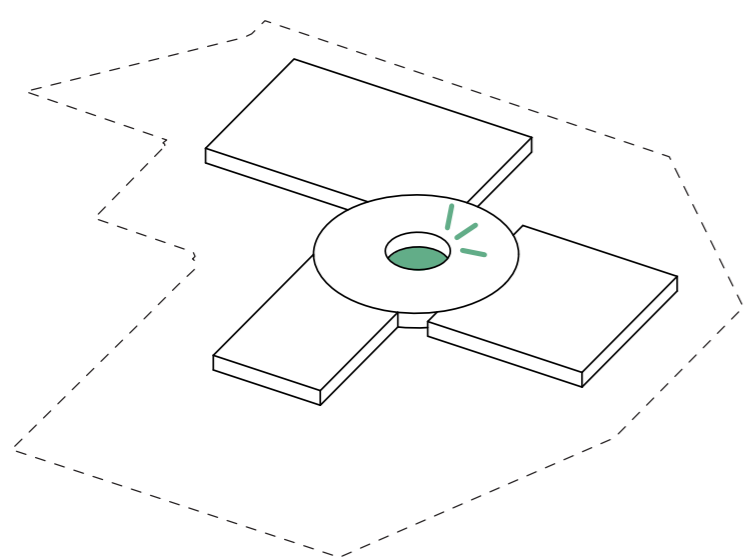
1. Remove existing facade



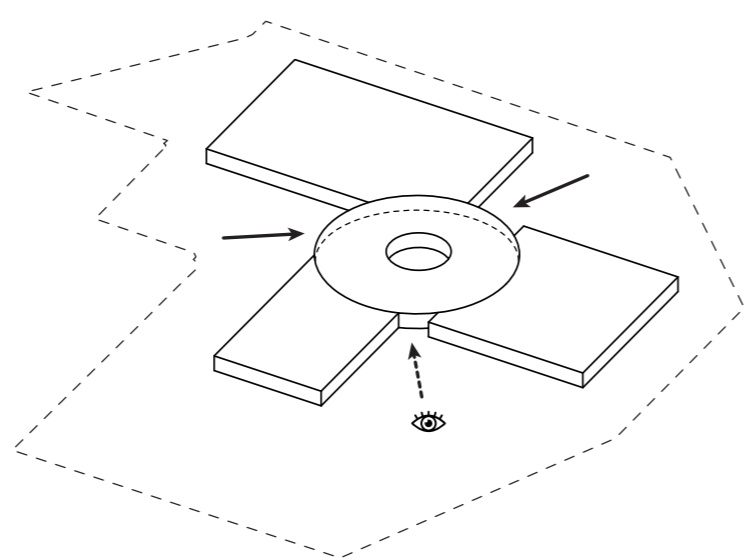
2. Implement new program



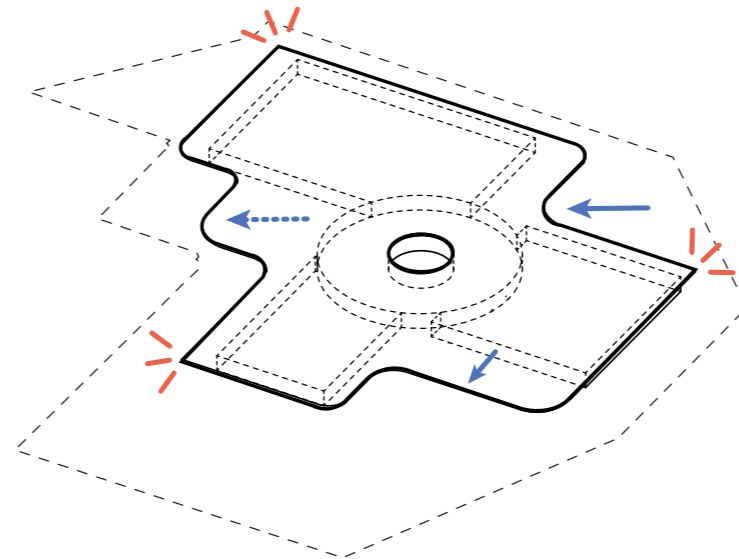
3. Add atrium as connecting element



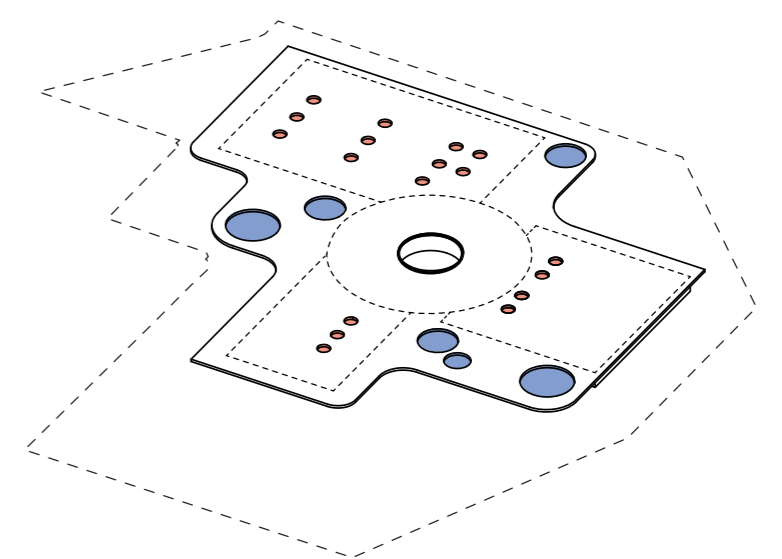
4. Add courtyard as healthy building element



5. Preserve original entrance points



6. Roof in relation to context



7. Perforated roofscape to ensure natural daylight

DESIGN CONCEPT | Axonometric



SITUATION DRAWING | 1-500 scaled | Roof

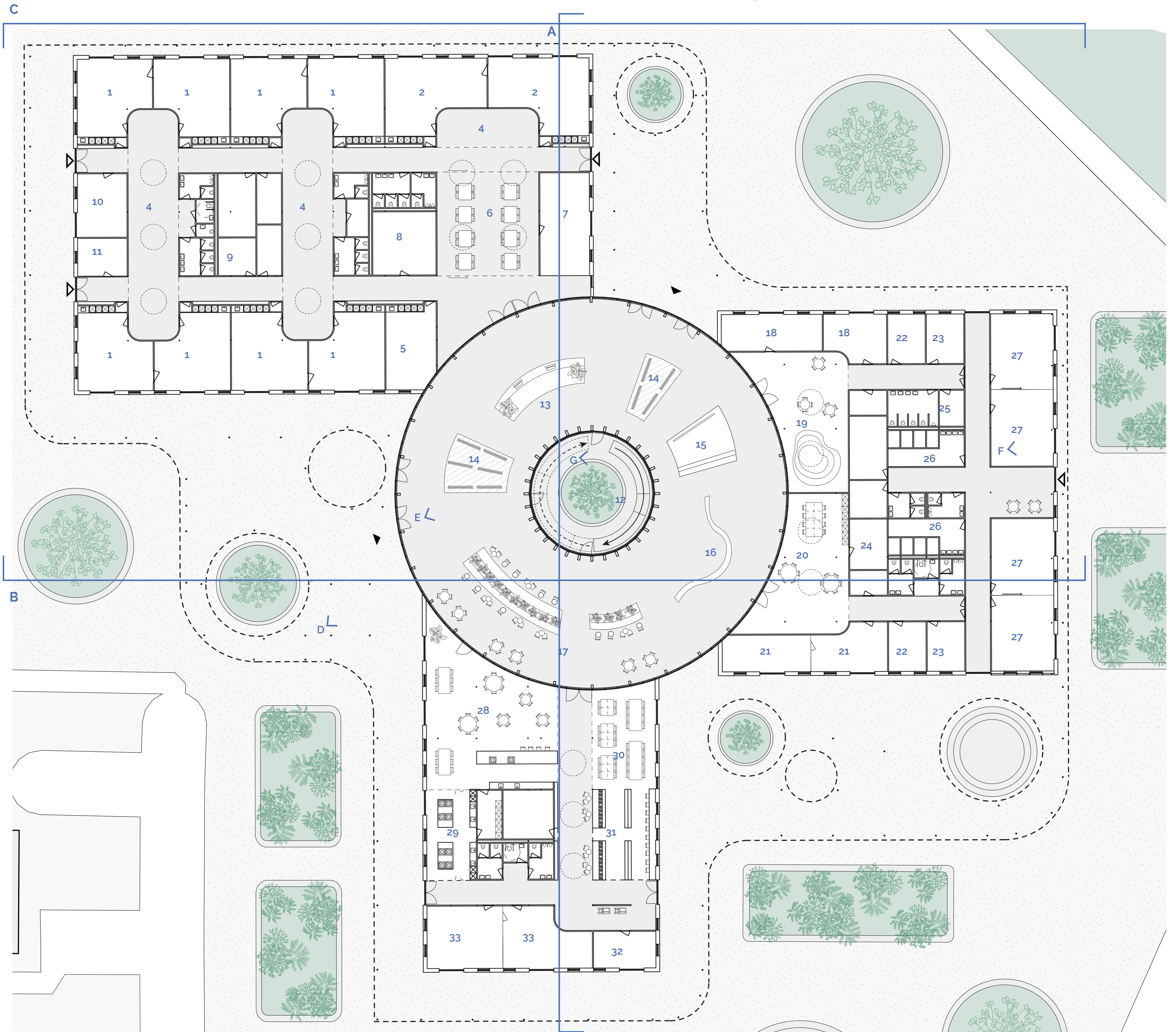


VISUALISATION A | Entrance from neighborhood



# HEALTH PROMOTING PUBLIC CENTER

A building for the neighborhood that raises awareness  
to work towards a health-oriented society



FLOORPLAN | 1-100 | Ground floor

## LEGEND

### EDUCATION | Primary school

1. Class room (group 5-8)
2. Class room (group 3-4)
3. Learning square
4. Support class room
5. Central seating area
6. Play room
7. Arts & craft room
8. Kitchen
9. Teacher's room
10. Headmaster office

### ATRIUM | Exhibition hall

11. Courtyard
12. Reception
13. Exhibition space
14. Small podium
15. Exhibition wall
16. Seating area

### RECREATION & WELL-BEING | Intergenerational daycare center

17. Group room (0-4 yrs)
18. Play area
19. Arts & crafts studio
20. Group room (>40 yrs)
21. Silent room
22. Office
23. Clay studio
24. Changing room (0-4 yrs)
25. Changing room
26. Sport studio

### SOCIAL PARTICIPATION & INCLUSION | Community center

27. Café / community kitchen
28. Cooking workshop studio
29. Study spaces
30. Library
31. Study room
32. Multifunctional room



VISUALISATION B | Walking through the public plaza



VISUALISATION C | Walking underneath the canopy



# HEALTH PROMOTING PUBLIC CENTER

A building for the neighborhood that raises awareness  
to work towards a health-oriented society



VISUALISATION D | Walking towards the entrance



VISUALISATION E | View in the atrium



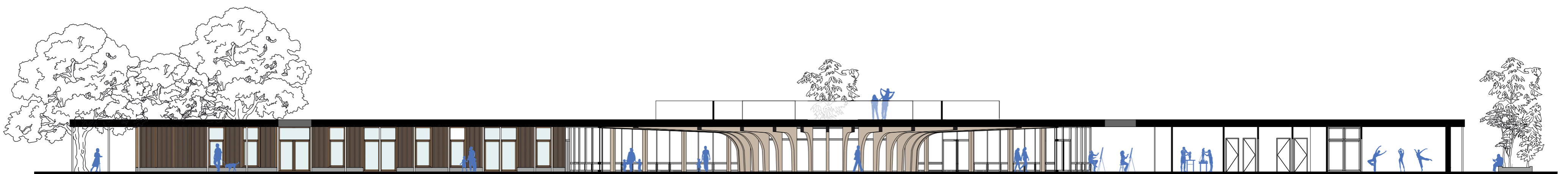
VISUALISATION F | Sport facility



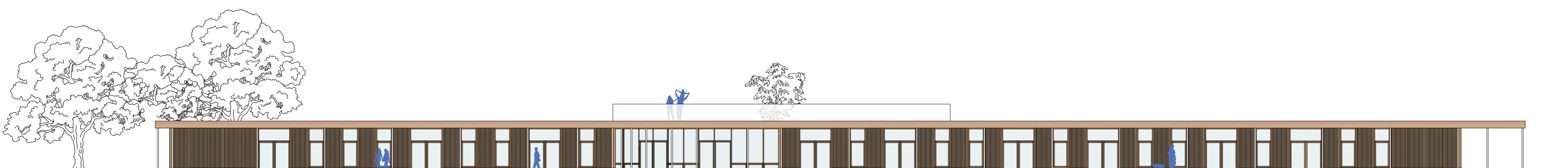
VISUALISATION G | View in the courtyard



SECTION A | 1-200 | Education - Atrium - Community center



SECTION / ELEVATION B | 1-200 | Education - Atrium - Intergenerational daycare center

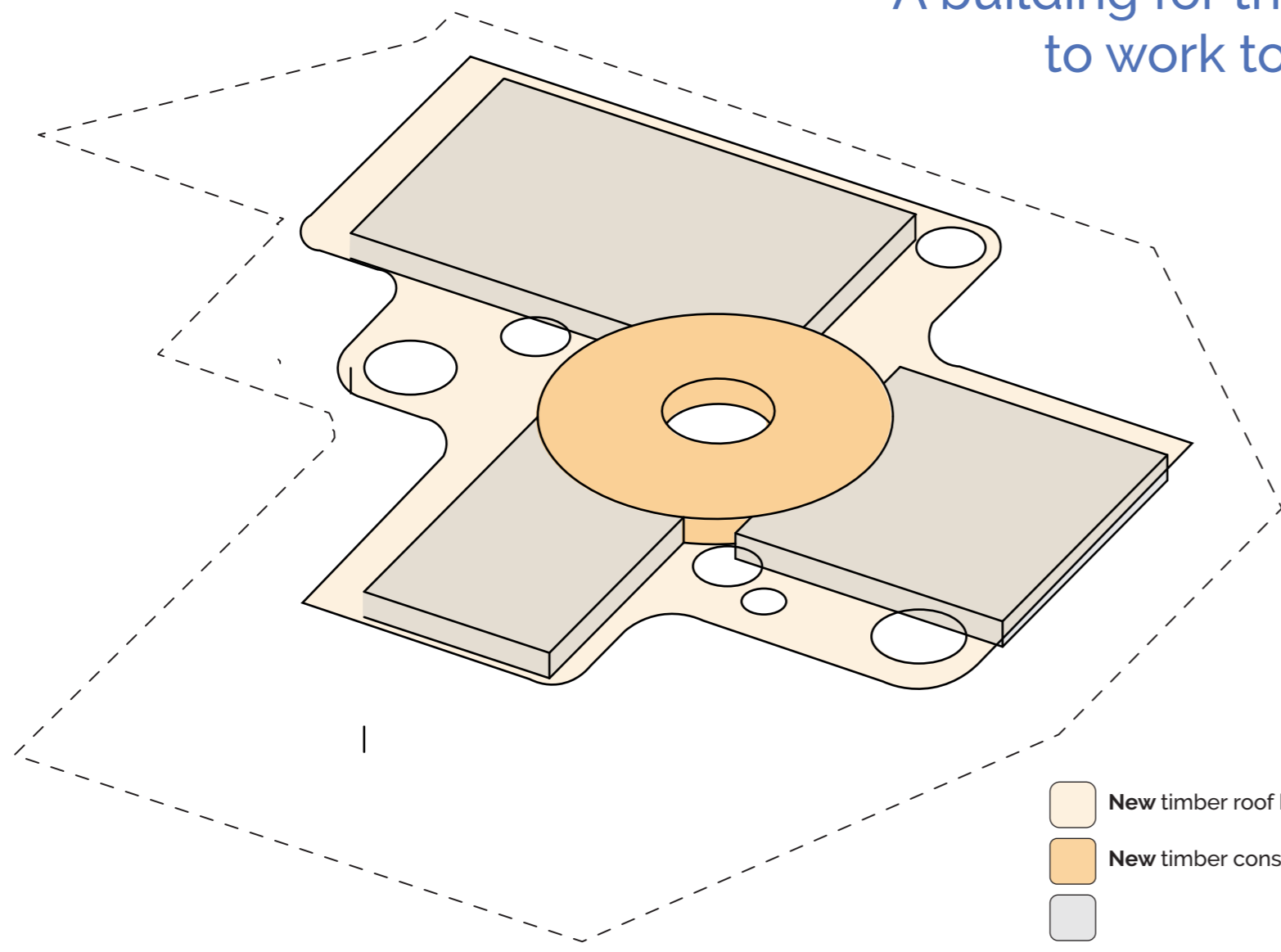


ELEVATION C | 1-200 | Northwest



# HEALTH PROMOTING PUBLIC CENTER

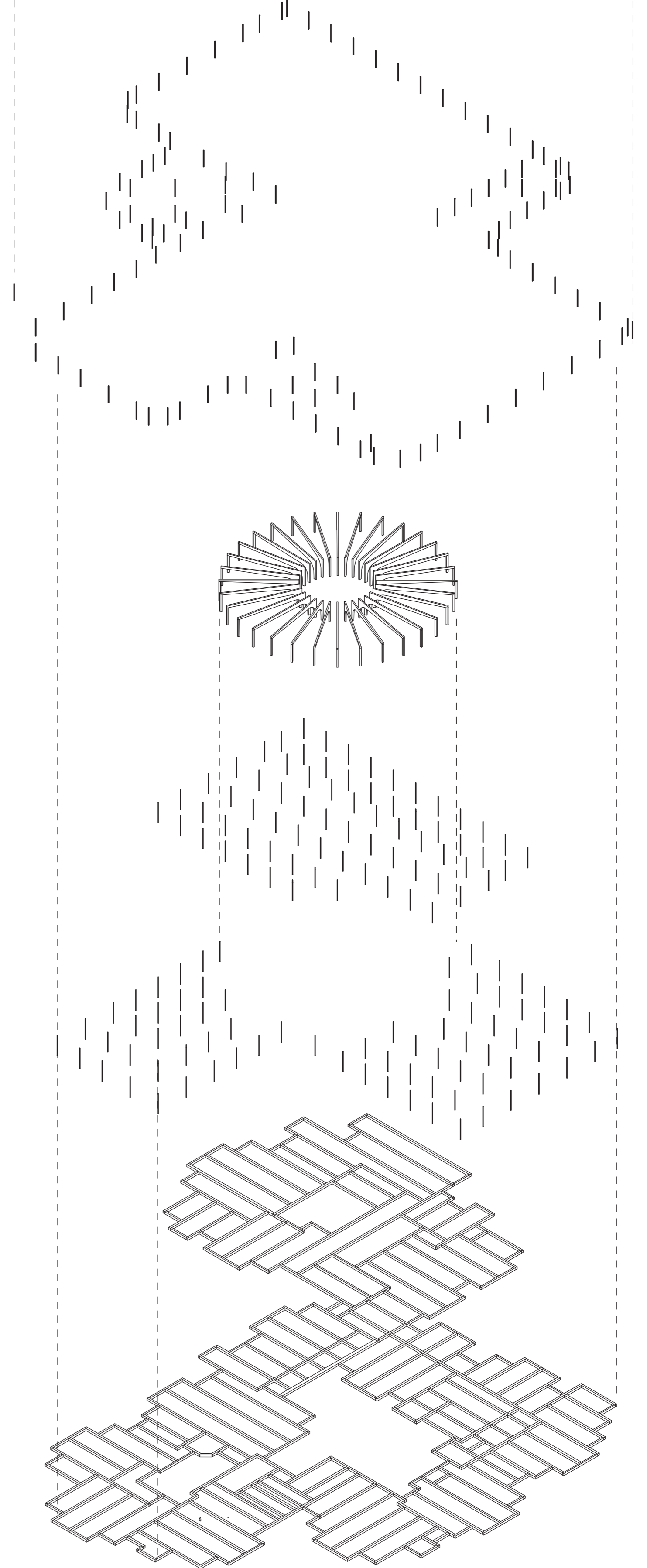
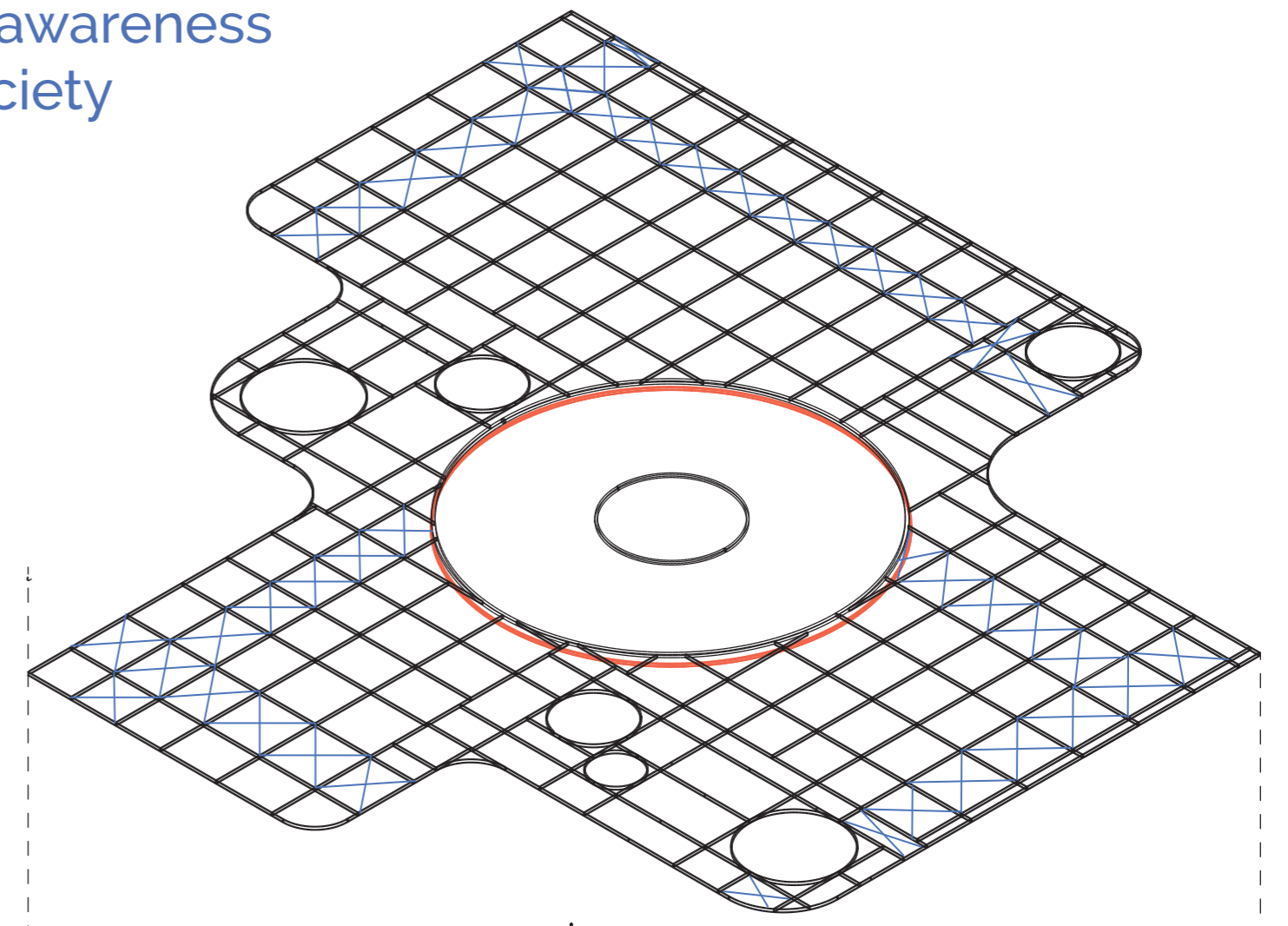
A building for the neighborhood that raises awareness to work towards a health-oriented society



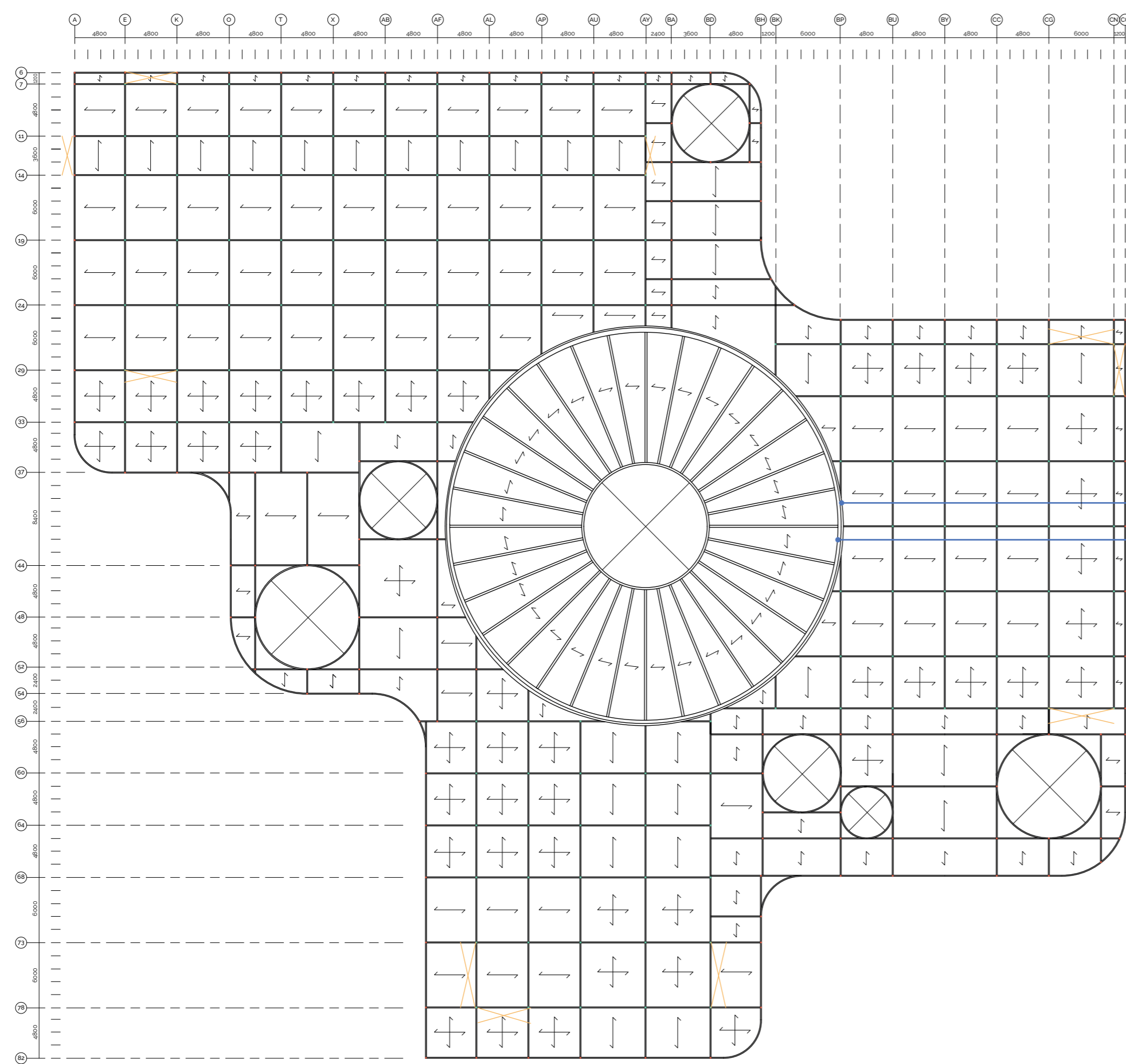
- New timber roof beam construction
- New timber construction | transparent facade
- Existing steel columns | semi-transparent facade

Existing steel columns | semi-transparent facade

MATERIALISATION CONCEPT | Axonometric

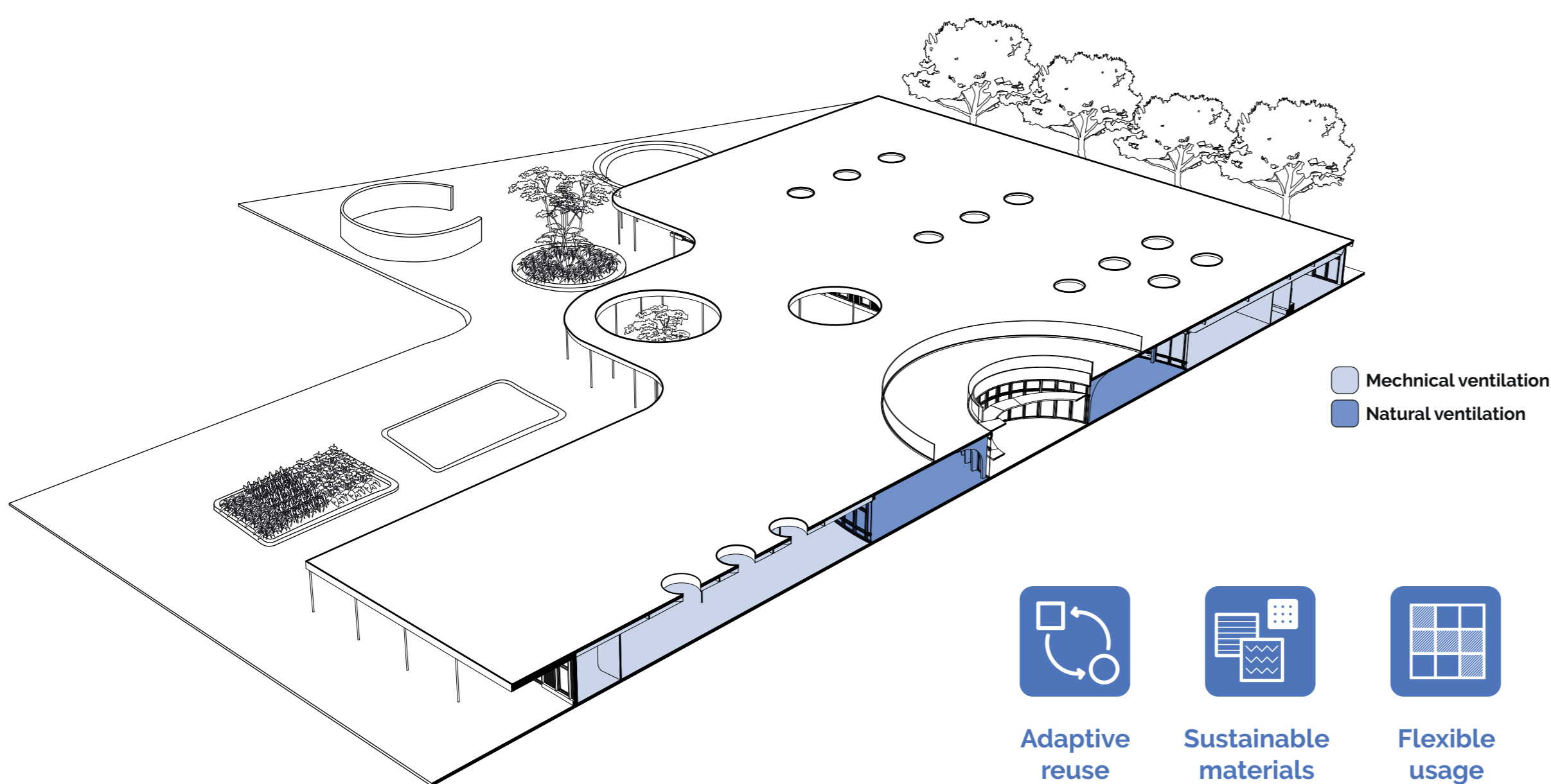


CONSTRUCTION | 1-500 | exploded axonometric

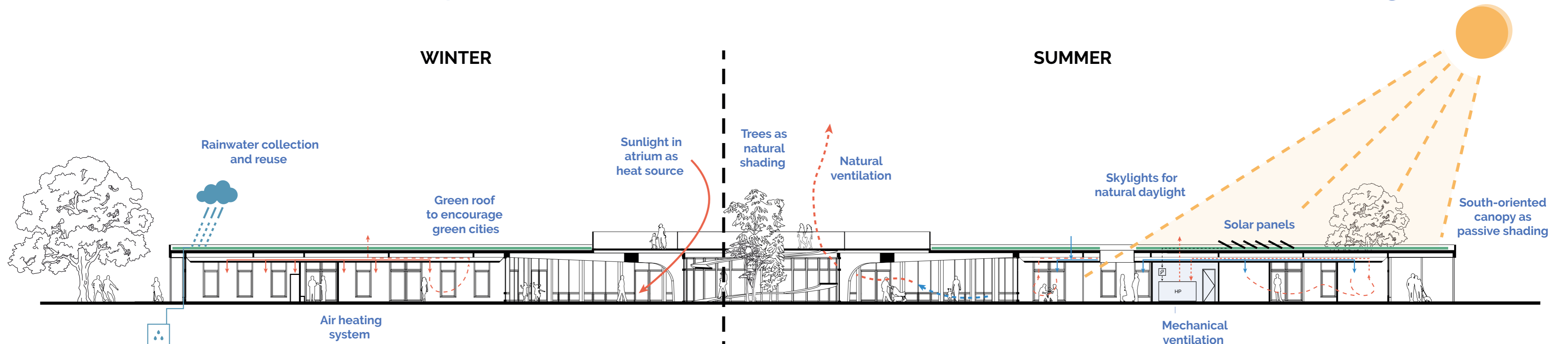


Steel beam (IPE240)  
Glulam beam (295x195 mm)

CONSTRUCTION FLOORPLAN | 1-400



CIRCULARITY CONCEPT | 1-500 axonometric



CLIMATE CONCEPT | 1-200 | section

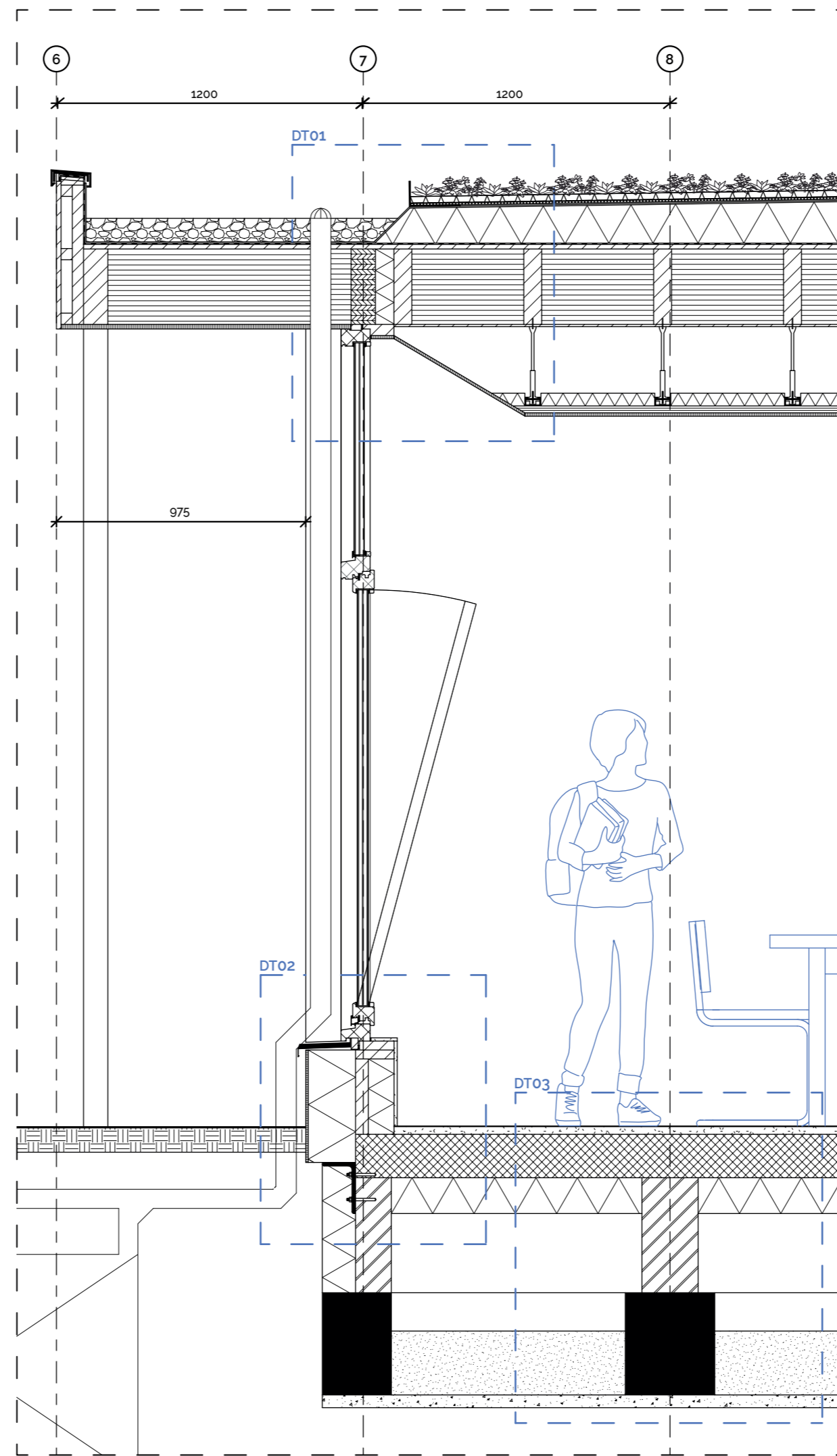


# HEALTH PROMOTING PUBLIC CENTER

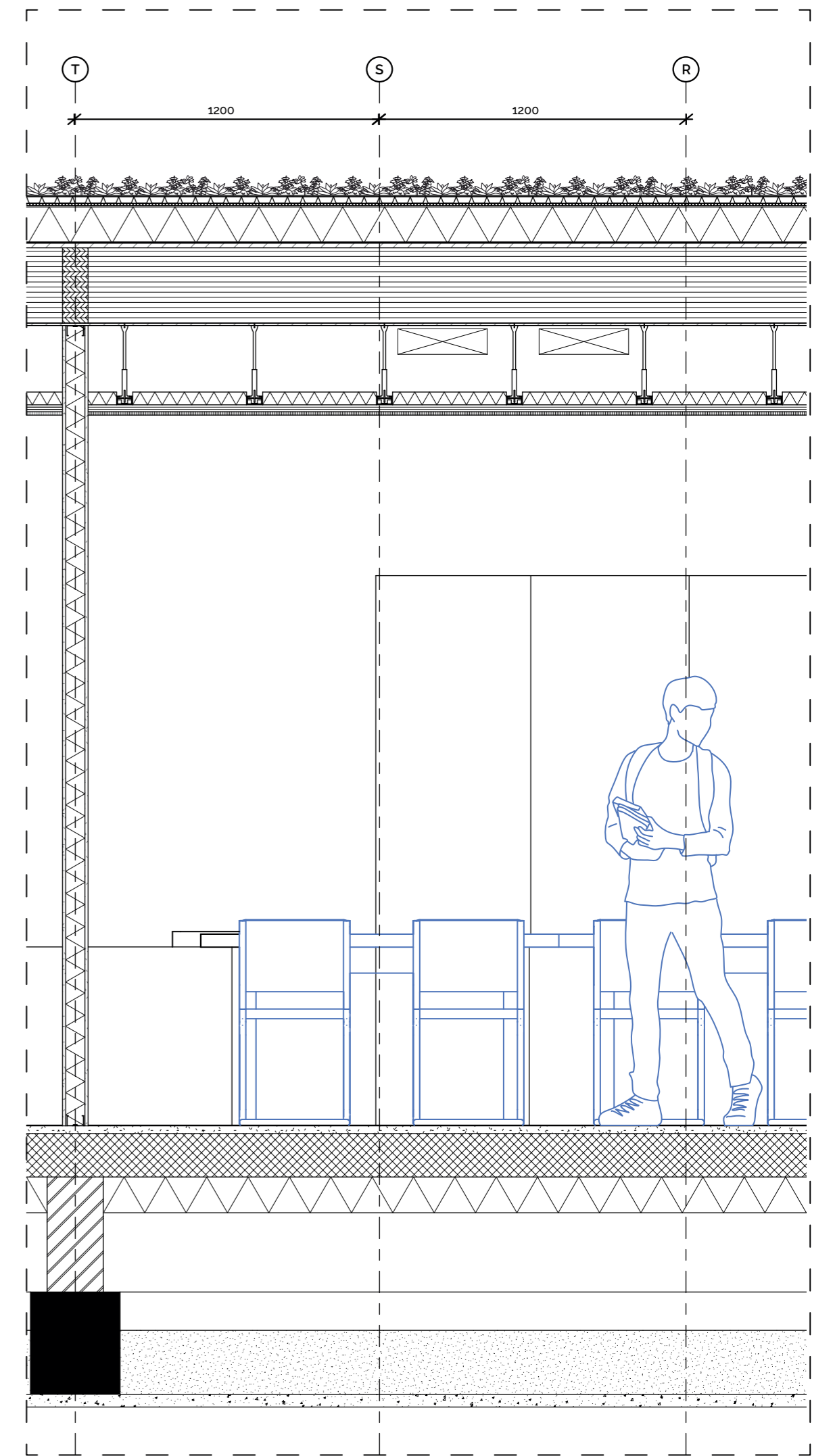
A building for the neighborhood that raises awareness to work towards a health-oriented society



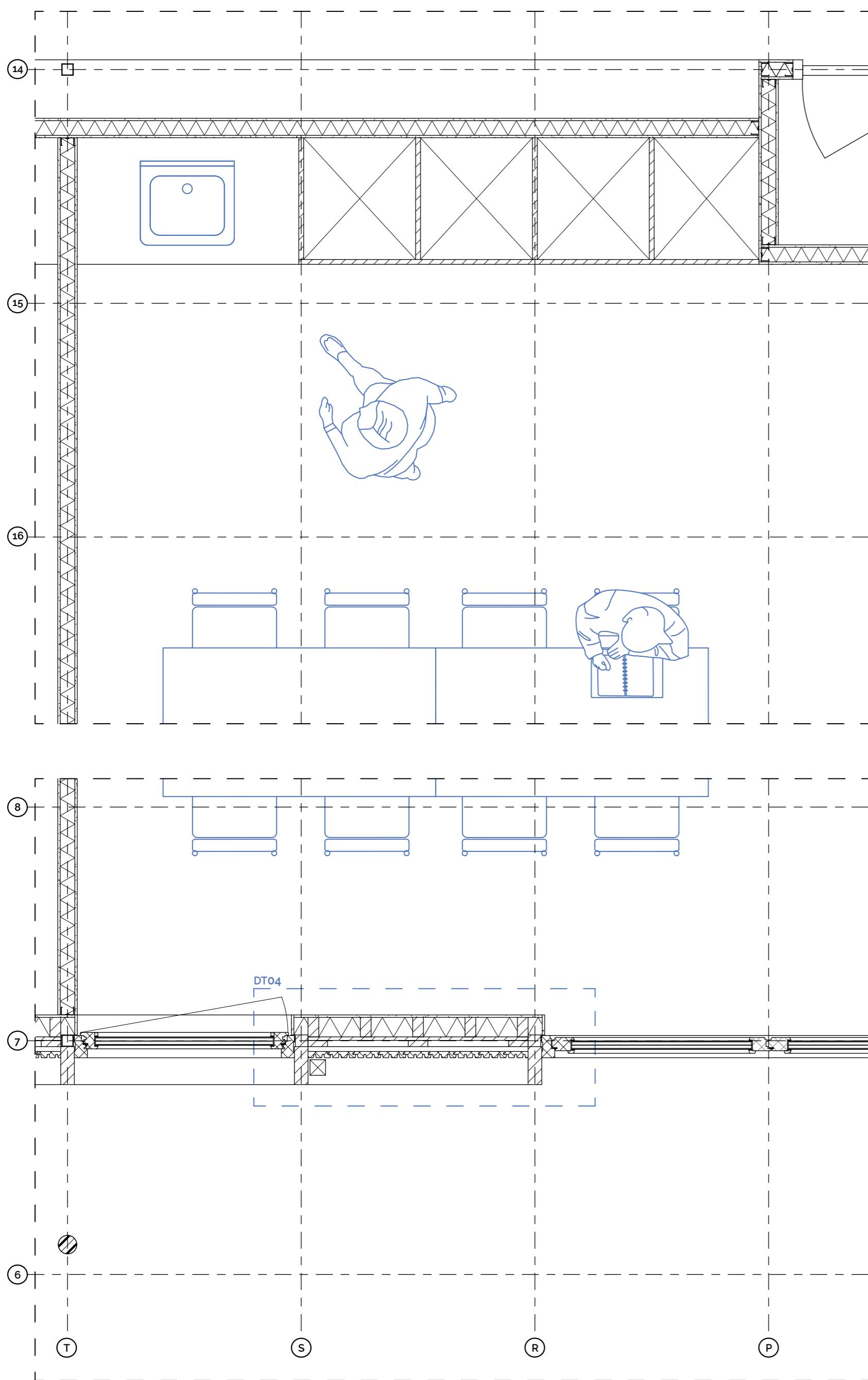
FRAGMENT | 1-20 | Elevation



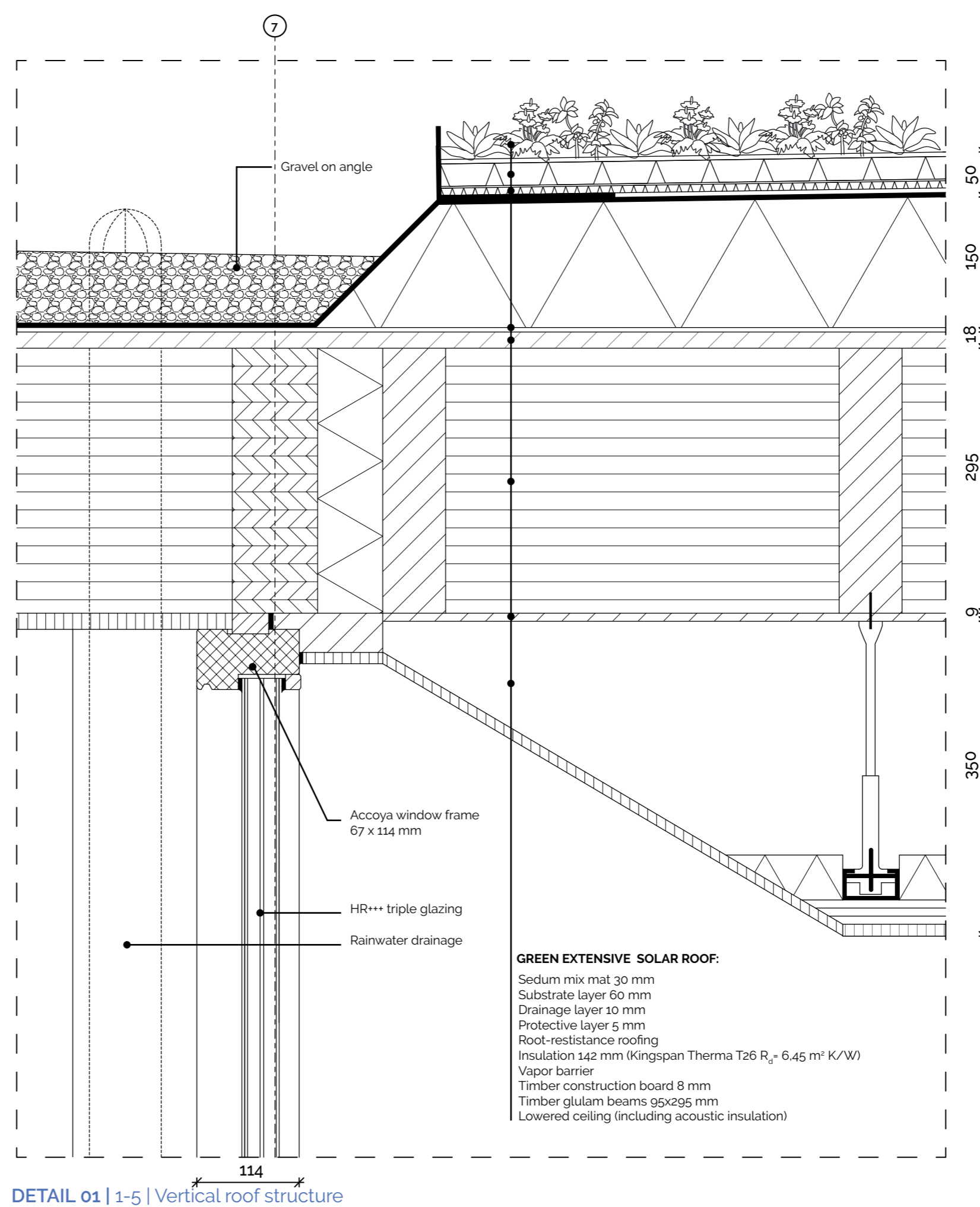
FRAGMENT | 1-20 | Vertical section



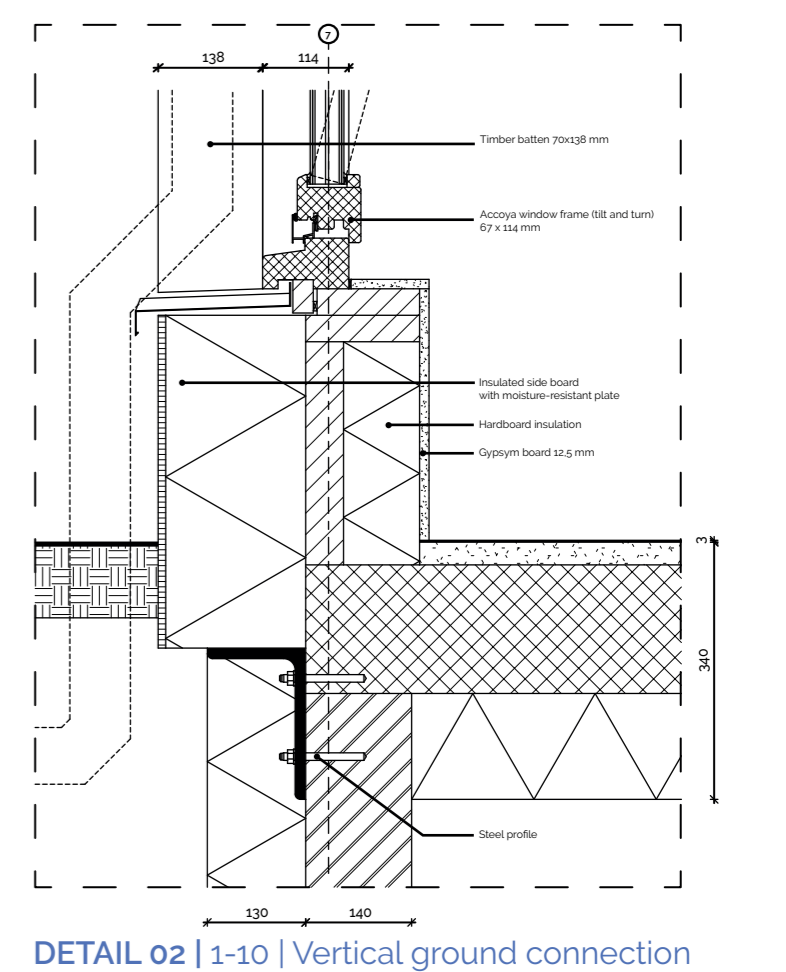
FRAGMENT | 1-20 | Vertical back section



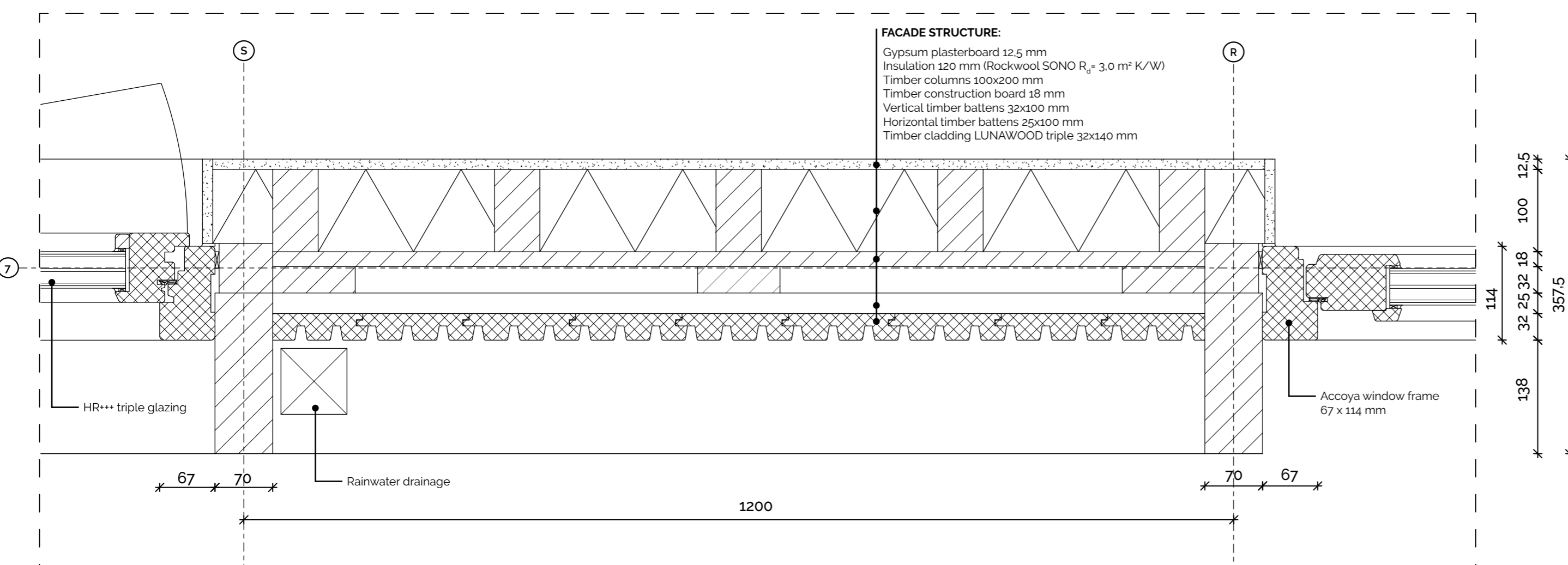
FRAGMENT | 1-20 | Horizontal



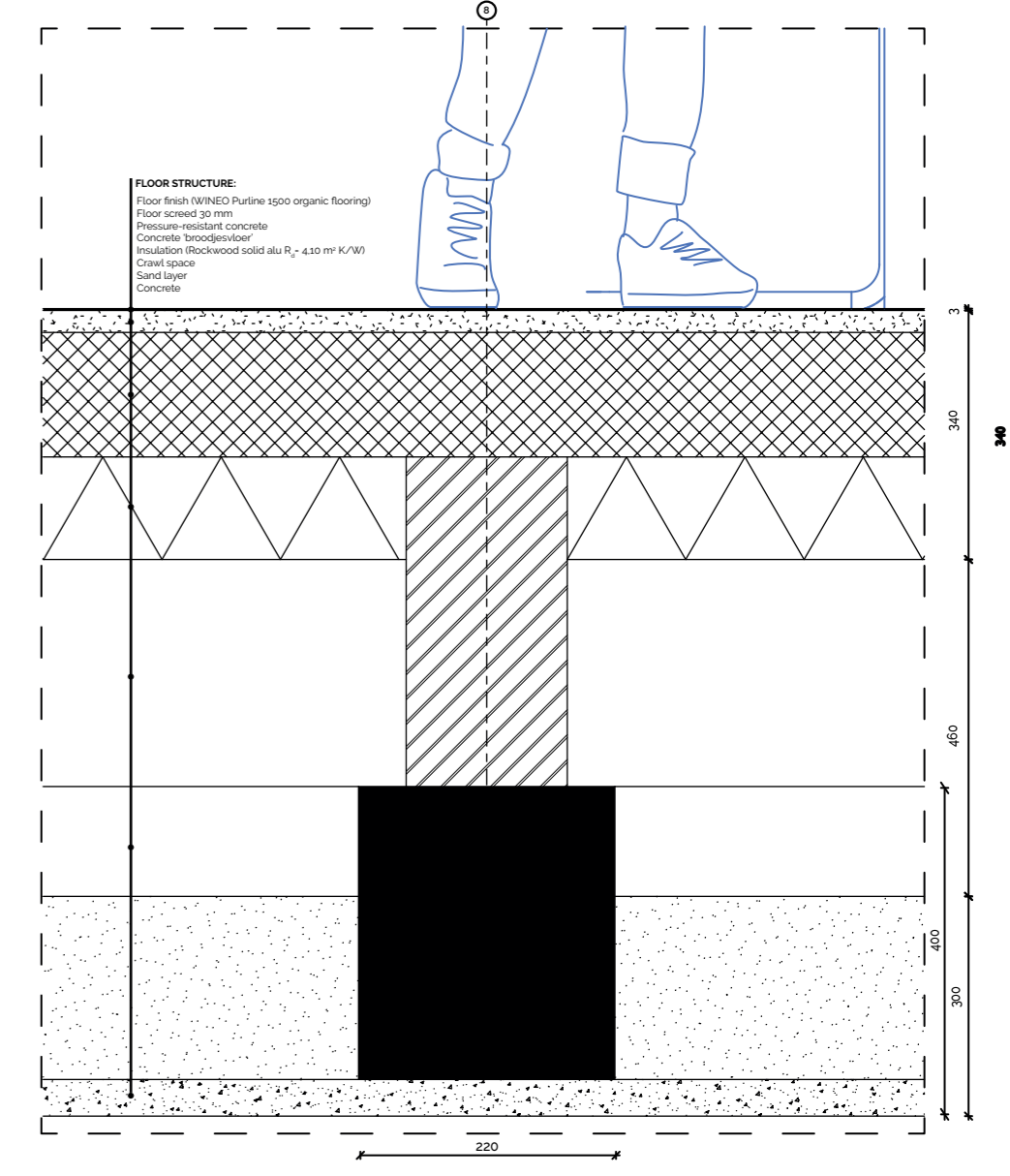
DETAIL 01 | 1-5 | Vertical roof structure



DETAIL 02 | 1-10 | Vertical ground connection



DETAIL 04 | 1-5 | Horizontal facade structure



DETAIL 03 | 1-10 | Vertical floor structure

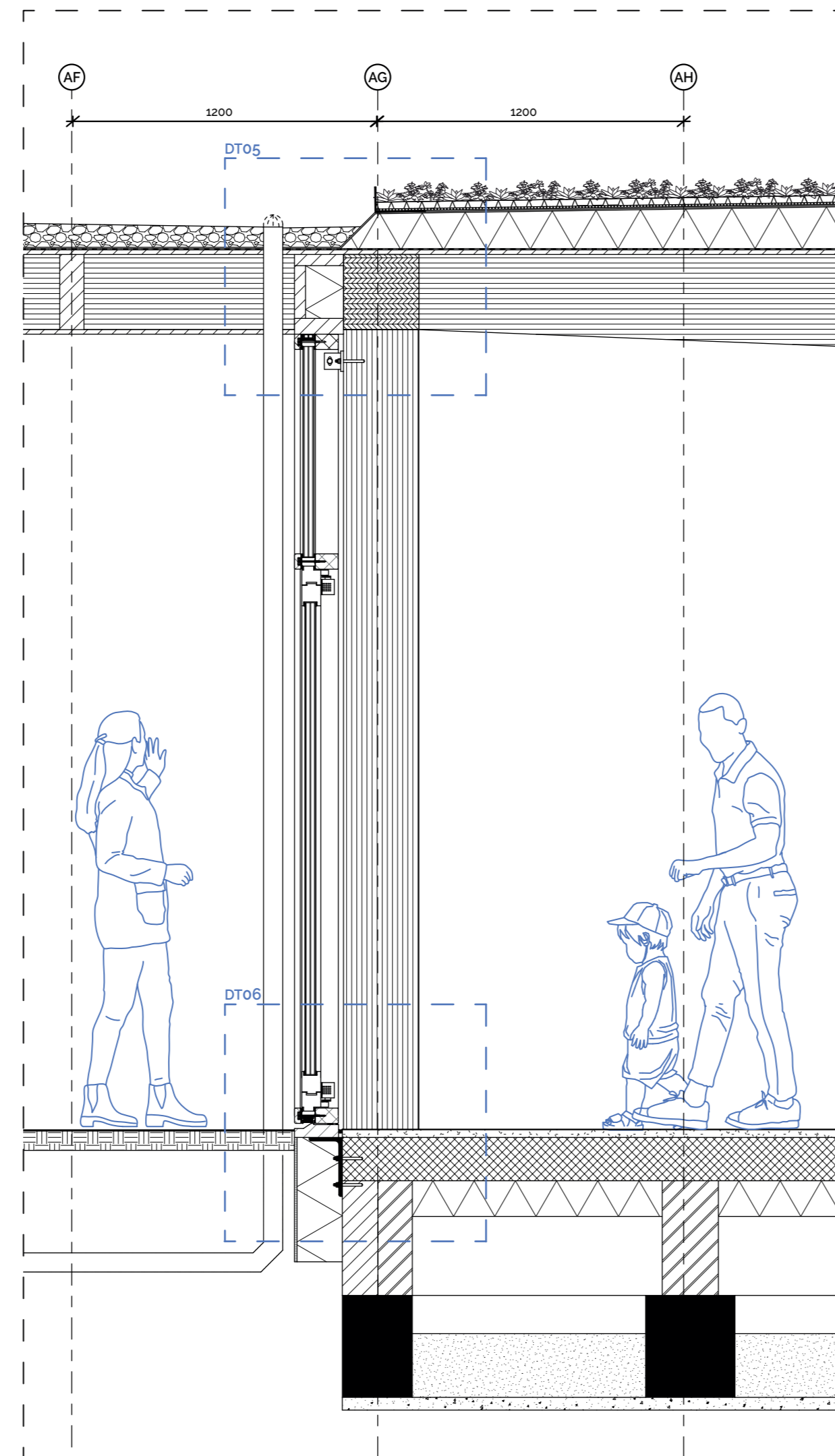


# HEALTH PROMOTING PUBLIC CENTER

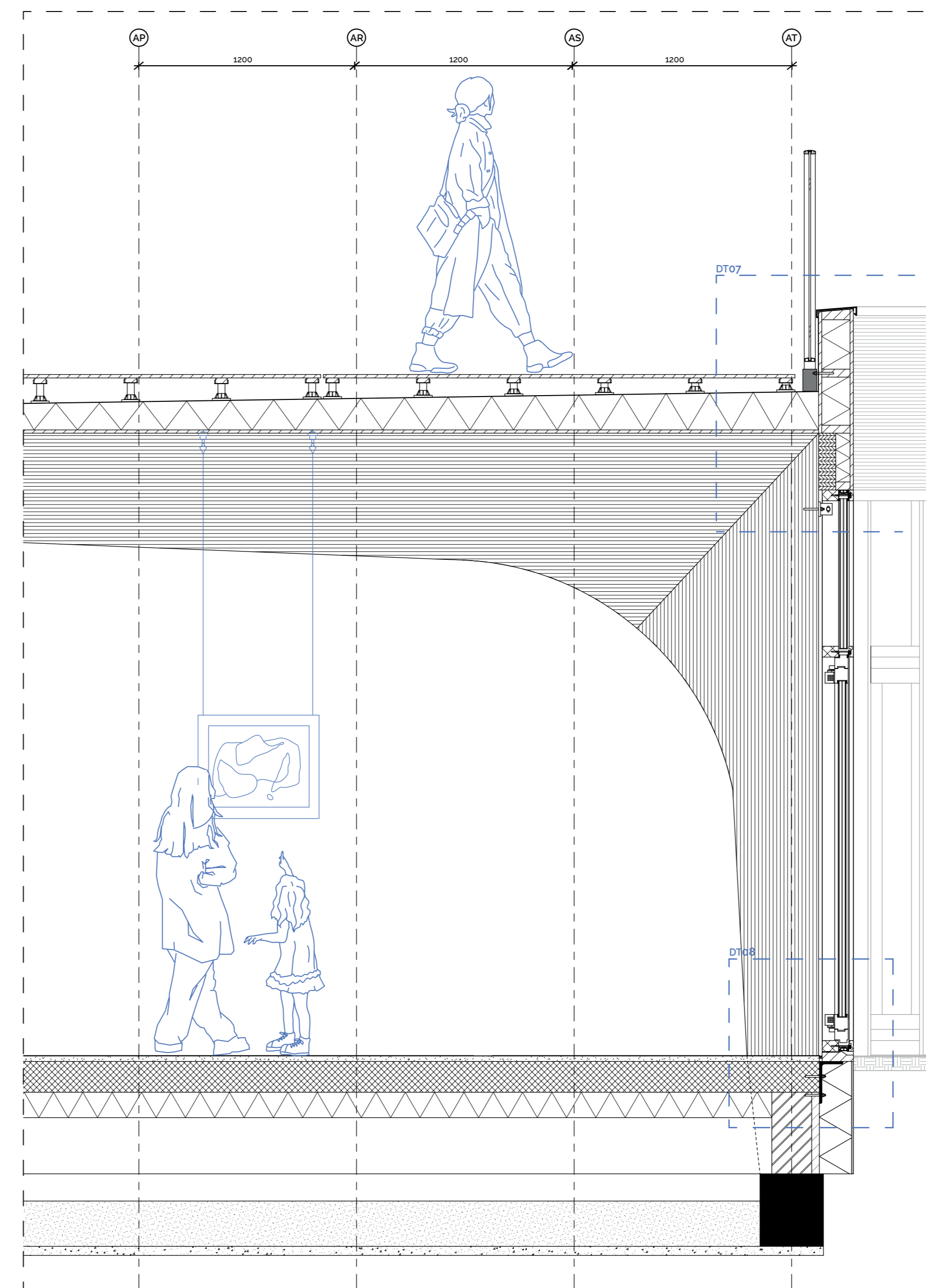
A building for the neighborhood that raises awareness to work towards a health-oriented society



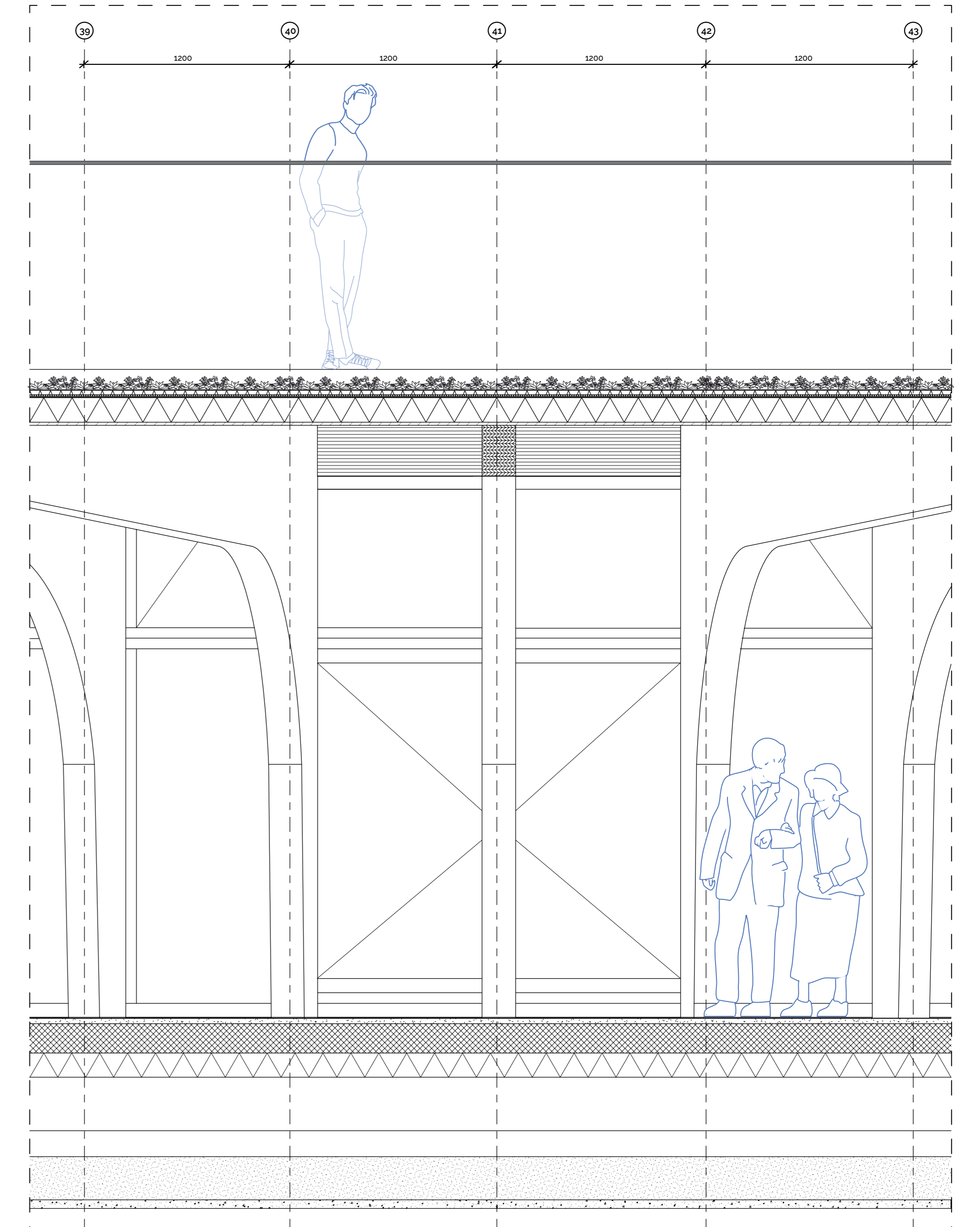
FRAGMENT | 1-20 | Elevation



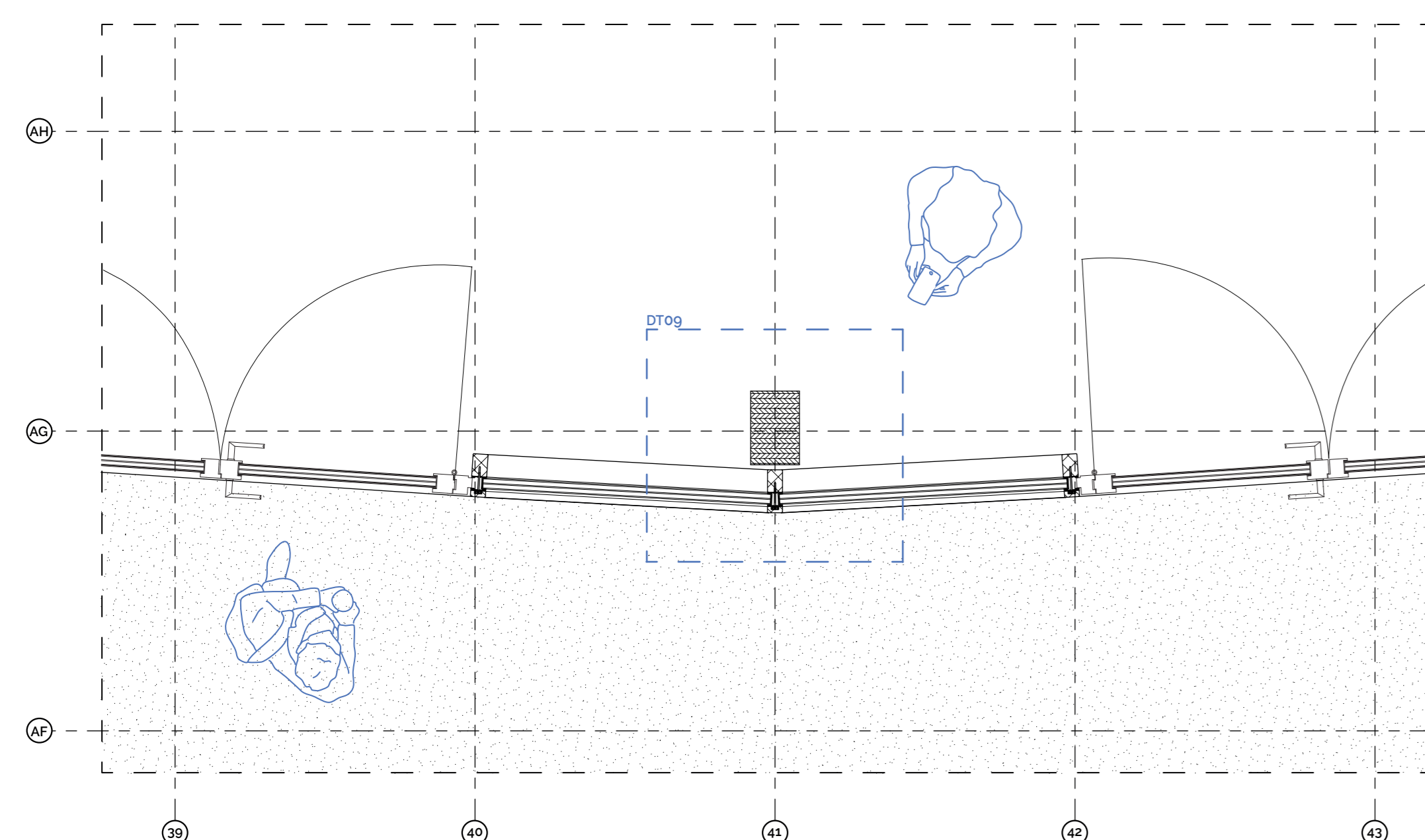
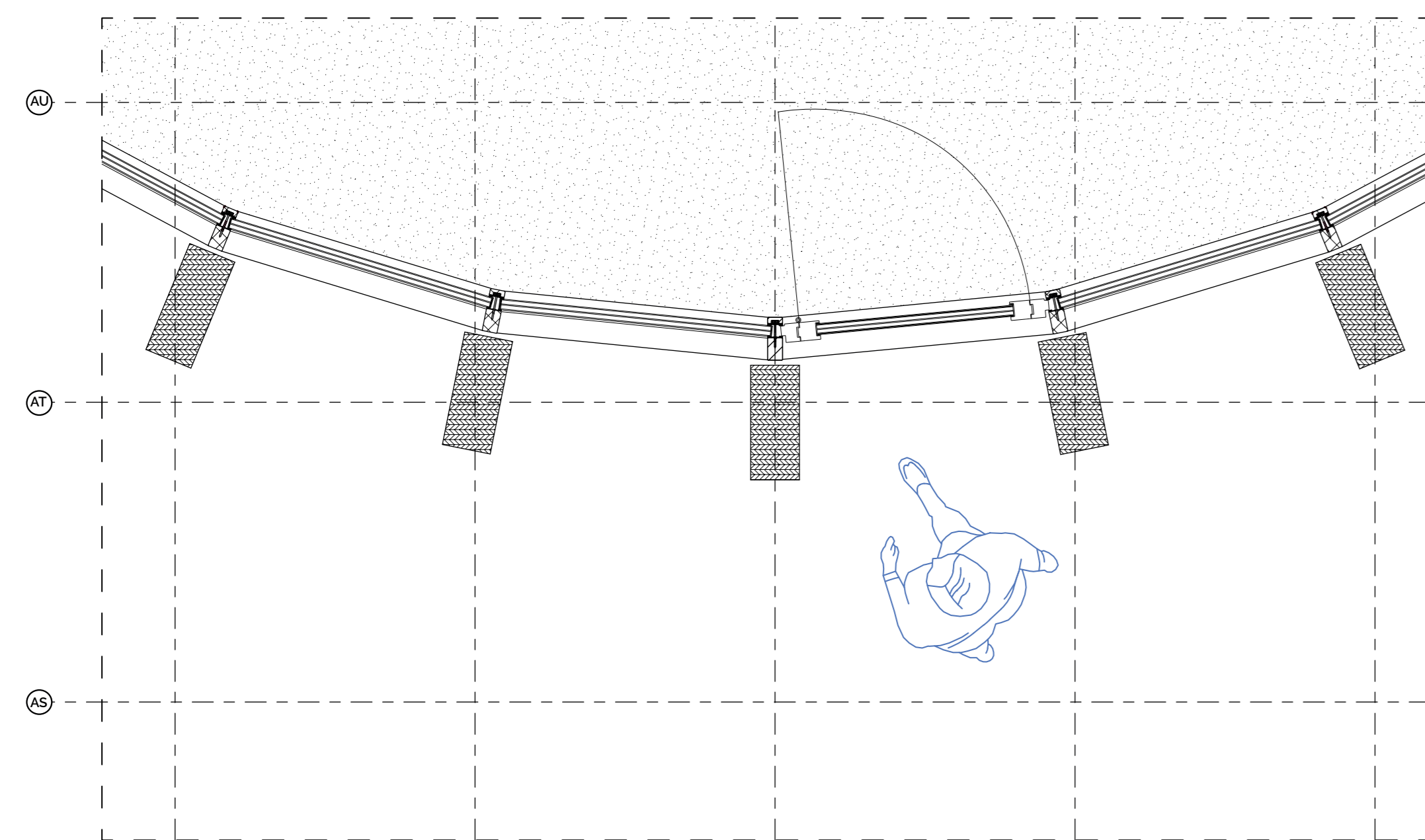
FRAGMENT | 1-20 | Vertical section outside - atrium



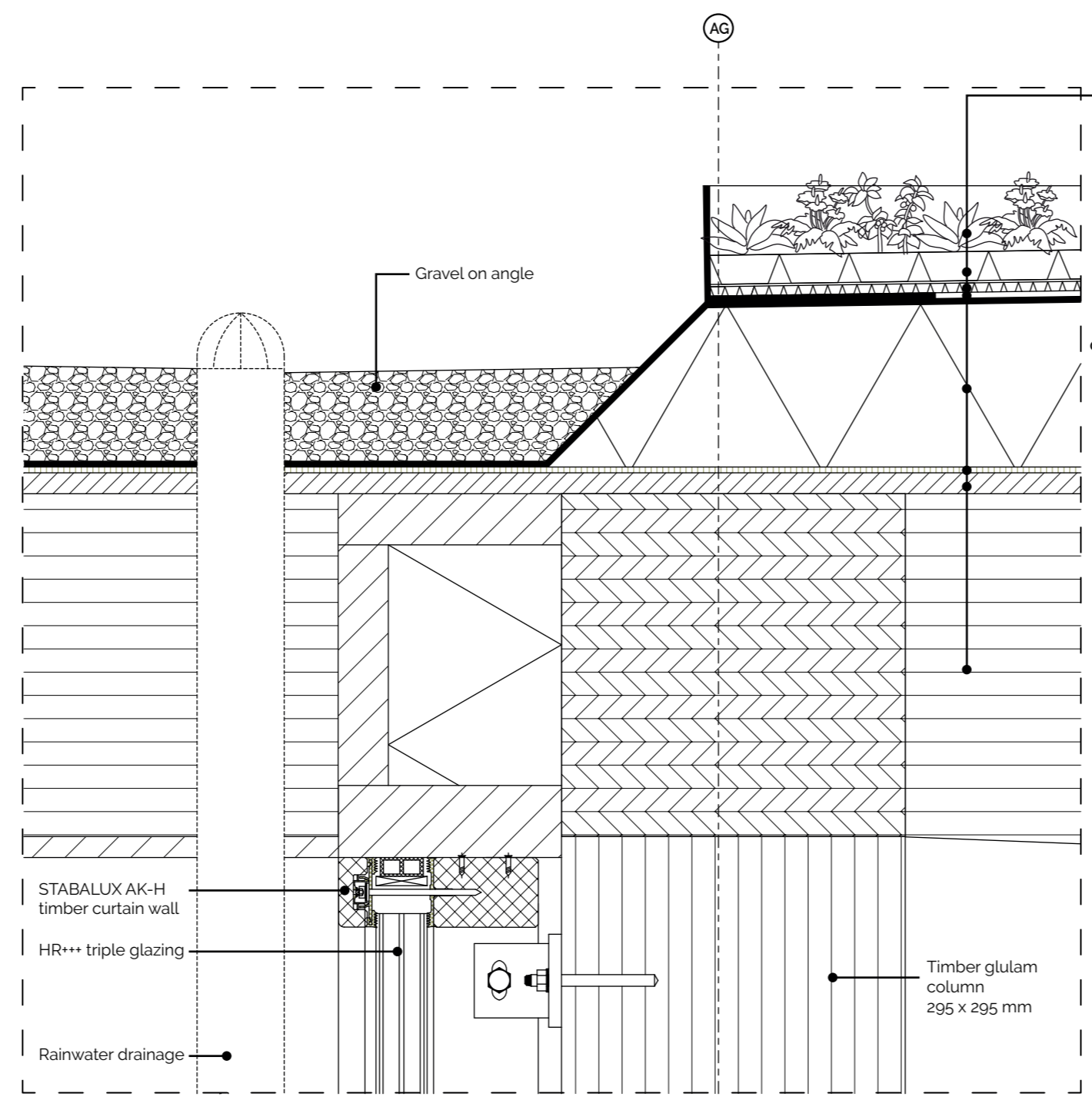
FRAGMENT | 1-20 | Vertical section atrium - courtyard



FRAGMENT | 1-20 | Vertical back section

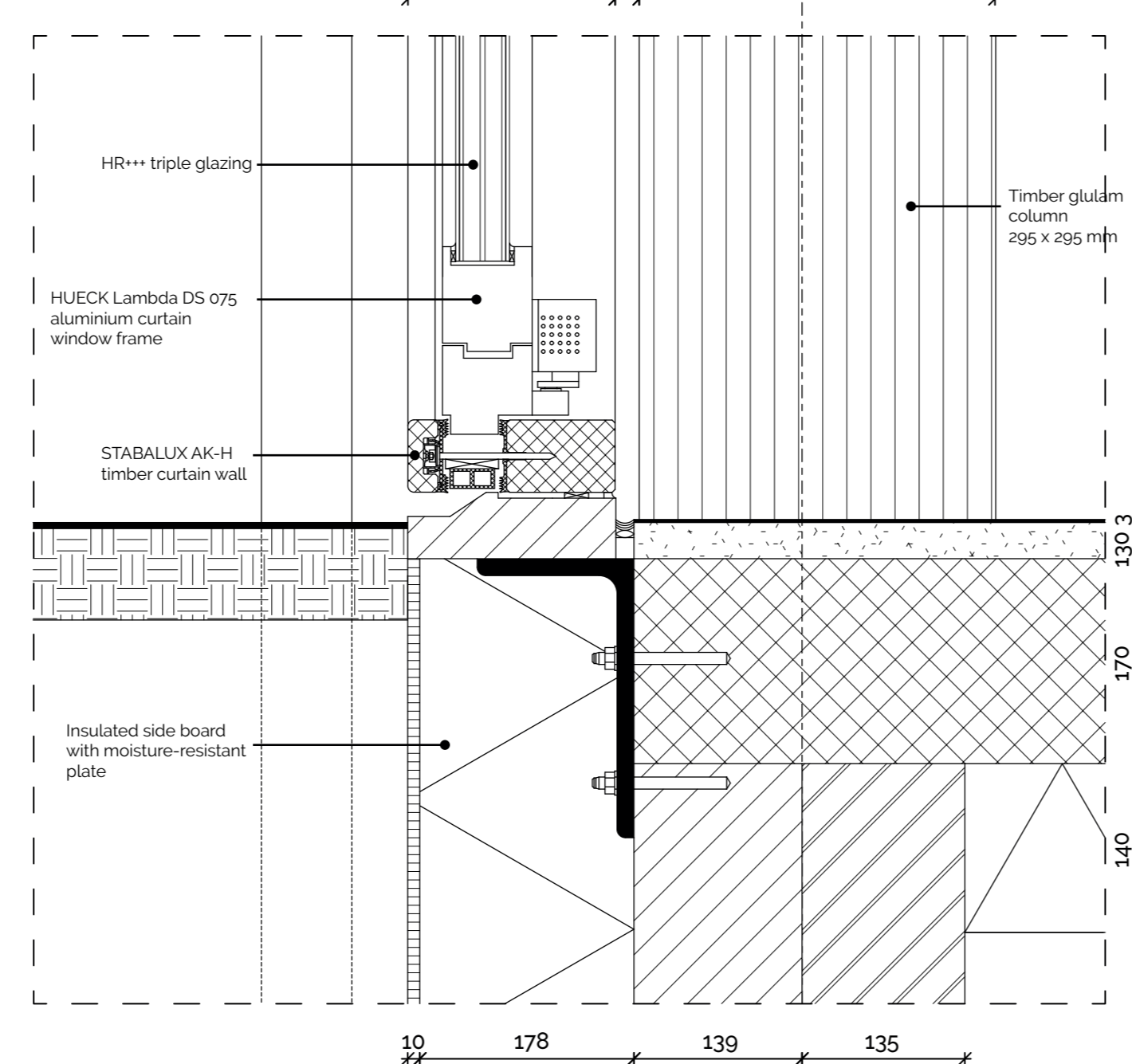


FRAGMENT | 1-20 | Horizontal

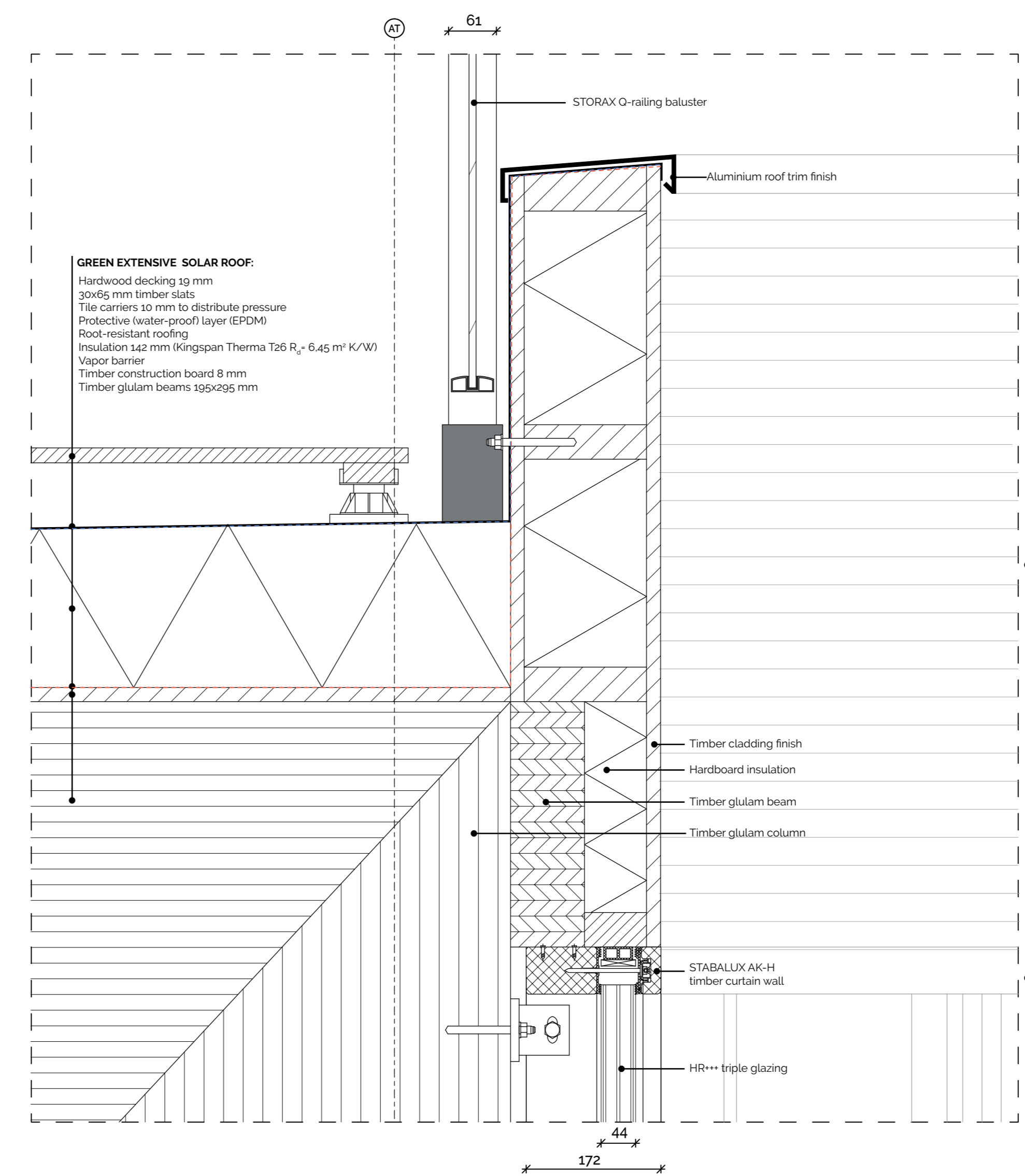


DETAIL 05 | 1-5 | Vertical roof structure

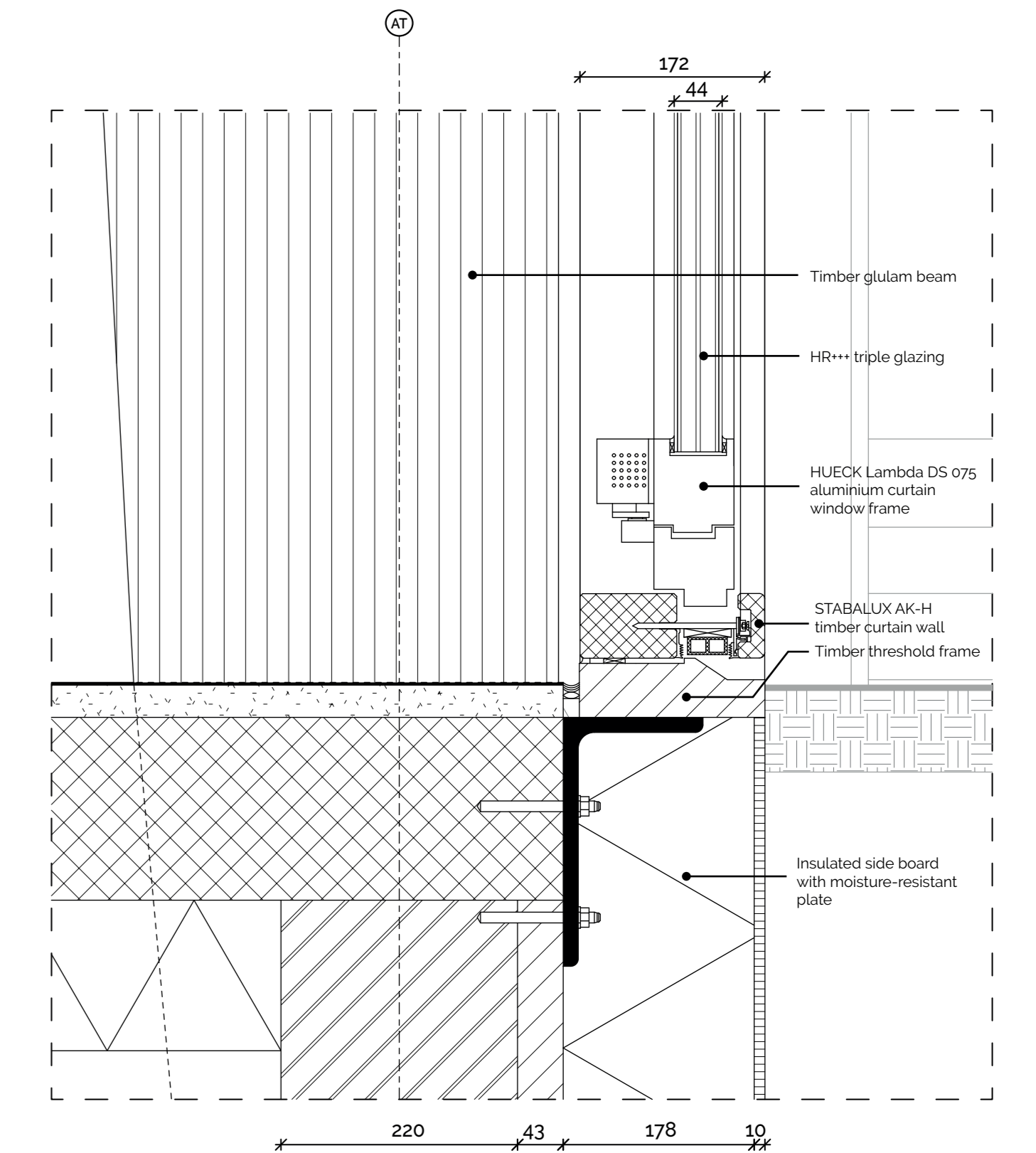
**GREEN EXTENSIVE SOLAR ROOF:**  
 Sedum mix mat 30 mm  
 Substrate layer 50 mm  
 Drainage layer 10 mm  
 Protective layer 2 mm  
 Roof resistance roofing  
 Insulation 142 mm (Kingspan T26 R<sub>f</sub> 6.45 m<sup>2</sup> K/W)  
 Vapor barrier  
 Timber construction board 8 mm  
 Timber glulam beams spacing 900 mm



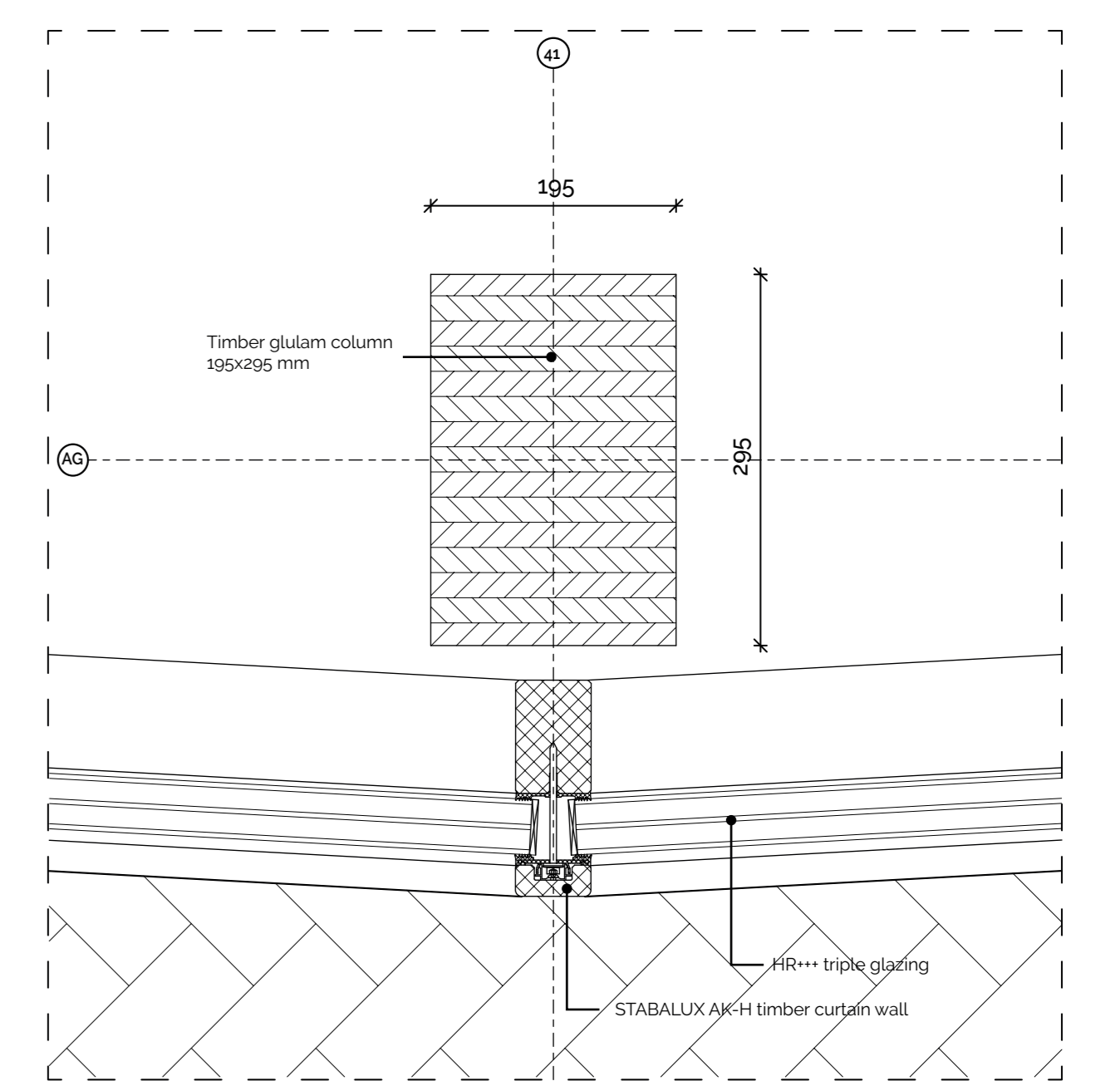
DETAIL 06 | 1-5 | Vertical ground structure



DETAIL 07 | 1-5 | Vertical roof structure | atrium - courtyard



DETAIL 08 | 1-5 | Vertical ground structure



DETAIL 09 | 1-5 | Horizontal facade structure