

A Highly Digital $2210\mu\text{m}^2$ Resistor-Based Temperature Sensor with a 1-Point Trimmed Inaccuracy of $\pm 1.3^\circ\text{C}$ (3σ) from -55°C to 125°C in 65nm CMOS

Angevare, Jan A.; Chae, Youngcheol; Makinwa, Kofi A.A.

DOI

[10.1109/ISSCC42613.2021.9365995](https://doi.org/10.1109/ISSCC42613.2021.9365995)

Publication date

2021

Document Version

Final published version

Published in

2021 IEEE International Solid-State Circuits Conference, ISSCC 2021 - Digest of Technical Papers

Citation (APA)

Angevare, J. A., Chae, Y., & Makinwa, K. A. A. (2021). A Highly Digital $2210\mu\text{m}^2$ Resistor-Based Temperature Sensor with a 1-Point Trimmed Inaccuracy of $\pm 1.3^\circ\text{C}$ (3σ) from -55°C to 125°C in 65nm CMOS. In *2021 IEEE International Solid-State Circuits Conference, ISSCC 2021 - Digest of Technical Papers* (pp. 76-78). Article 9365995 (Digest of Technical Papers - IEEE International Solid-State Circuits Conference; Vol. 64). IEEE. <https://doi.org/10.1109/ISSCC42613.2021.9365995>

Important note

To cite this publication, please use the final published version (if applicable). Please check the document version above.

Copyright

Other than for strictly personal use, it is not permitted to download, forward or distribute the text or part of it, without the consent of the author(s) and/or copyright holder(s), unless the work is under an open content license such as Creative Commons.

Takedown policy

Please contact us and provide details if you believe this document breaches copyrights. We will remove access to the work immediately and investigate your claim.

Green Open Access added to TU Delft Institutional Repository

'You share, we take care!' - Taverne project

<https://www.openaccess.nl/en/you-share-we-take-care>

Otherwise as indicated in the copyright section: the publisher is the copyright holder of this work and the author uses the Dutch legislation to make this work public.

5.3 A Highly Digital 2210 μm^2 Resistor-Based Temperature Sensor with a 1-Point Trimmed Inaccuracy of $\pm 1.3^\circ\text{C}$ (3σ) from -55°C to 125°C in 65nm CMOS

Jan A. Angevare¹, Youngcheol Chae², Kofi A. A. Makinwa¹

¹Delft University of Technology, Delft, The Netherlands

²Yonsei University, Seoul, Korea

Microprocessors and SoCs employ multiple temperature sensors to prevent overheating and ensure reliable operation. Such sensors should be small ($<10,000\mu\text{m}^2$) to monitor local hot-spots in dense layouts. They should also be moderately accurate ($\sim 1^\circ\text{C}$) up to high temperatures ($\geq 125^\circ\text{C}$), so that the system throttling temperature can be set as close as possible to the maximum allowable die temperature. Furthermore, they should be fast ($\sim 1\text{ks/s}$) and consume low power (tens of μW).

Compact resistor-based temperature sensors can meet most of these requirements. As shown in Fig. 5.3.1 (left), they often consist of a frequency-locked loop (FLL), which maintains a constant phase shift (ϕ_{ref}) in an RC filter by adjusting its drive frequency (F_{drive}) in a temperature-dependent manner [1,2]. Mainly due to their use of analog loop filters, however, they typically occupy more than $5,000\mu\text{m}^2$, and are difficult to scale. Alternatively, an RC filter can be driven at a constant frequency and the resulting temperature-dependent phase-shift can then be digitized by a highly digital phase-domain delta-sigma modulator (PD $\Delta\Sigma\text{M}$), as shown in Fig. 5.3.1 (right) [3]. A current-controlled oscillator (CCO) converts the filter's output into a frequency-modulated square-wave that can be integrated by a counter. The modulator's phase summation node is then realized by using the output of its phase DAC to control the counter's up/down action. The sensor occupies $6800\mu\text{m}^2$ in $0.18\mu\text{m}$ CMOS [3], and can be made much smaller in 40nm [4]. However, the CCO's non-linear current-to-frequency characteristic limits the sensor's inaccuracy to $\pm 2.7^\circ\text{C}$ (3σ) from -35°C to 125°C after a 1-point trim. Furthermore, the time-domain quantization noise (Q-noise) associated with the counter significantly degrades the sensor's resolution (120mK).

In this work, a resistor-based temperature sensor based on an improved highly digital PD $\Delta\Sigma\text{M}$ is presented. Its two key architectural innovations are 1) the use of dual gated-ring-oscillators (GROs) to shape the counter's time-domain Q-noise, and 2) their operation at a fixed frequency, which enables linear phase detection. Compared to previous PD $\Delta\Sigma\text{M}$ -based designs [3,4], the sensor achieves $\sim 10\times$ more resolution (12.8mK resolution in a 1ms conversion time), while consuming $\sim 50\times$ less power ($28\mu\text{W}$). Furthermore, compared to previous FLL-based designs [1,2], it achieves similar inaccuracy ($\pm 1.3^\circ\text{C}$ (3σ), 1-pt trim), but over the full military temperature range (-55°C to 125°C). It also occupies $\sim 3\times$ less area ($2210\mu\text{m}^2$) and is highly scalable.

The use of a counter to integrate CCO phase gives rise to time-domain Q-noise. This is illustrated in Fig. 5.3.2, in which the CCO's phase increases by 3.6 cycles during every counting cycle. Since the counter cannot accumulate fractional phase, time-domain Q-noise will be accumulated at the end of each cycle, thus limiting the resolution. This can be reduced by increasing the CCO's frequency swing, but this increases power consumption and non-linearity.

In this work, the single CCO and the up/down counter of [3,4] are replaced by dual GRO/counter pairs, one for counting "up" and the other for counting "down". Their outputs are then digitally subtracted to generate the final integrated result. This approach prevents the accumulation of time-domain Q-noise and results in 1^{st} -order noise shaping. As shown in Fig. 5.3.2, the fractional phases of each oscillator can be preserved by disconnecting their supply currents, which disables their inverters but preserves their output states [5]. The resulting GROs can be operated at 50MHz , compared to the 800MHz in [3,4], drastically reducing the counters' power dissipation.

Figure 5.3.3 shows the schematic of the proposed resistor-based temperature sensor. It consists of a 2-bit 1^{st} -order PD $\Delta\Sigma\text{M}$ that digitizes the phase-shift of a polyphase filter (PPF). When driven by a square-wave F_{drive} , the zero-crossings of the PPF's output exhibit a temperature-dependent phase-shift, which can readily be digitized by a comparator, similar to the one in [2]. To save area, the PPF's capacitors (MIM, 1pF) are located above its resistors (silicided polysilicon, $100\text{k}\Omega$). When $F_{\text{drive}} = 2.25\text{MHz}$, the phase of the comparator's square-wave output varies from about 80° to 120° over a temperature range from -55°C to 125°C . When operated at a sampling rate $F_s = F_{\text{drive}}$, a 2-bit phase DAC ($\phi_{\text{DAC}} = 67.5^\circ, 90^\circ, 112.5^\circ, \text{ and } 135^\circ$) ensures sufficiently low Q-noise ($\sim 4\text{mK rms}$) in the targeted 1ms conversion time.

The PD $\Delta\Sigma\text{M}$'s phase summation node consists of an XOR gate, used as a linear phase detector. Its output enables either the "up" or the "down" GRO by connecting them to a constant current source I_{in} that is derived from a central biasing circuit. With the chosen phase DAC range and oscillation frequency, 7-bit counters are enough to prevent overflow at the end of each $\Delta\Sigma$ cycle [6]. To save power, the subtractor is only enabled (by FS_{en}) shortly before the rising edge of the sampling clock (FS). Compared to [3,4], this architecture has two main advantages: 1) it is highly linear, due to the use of a linear phase detector and the absence of CCOs in the analog signal path, and 2) it is highly scalable, because, apart from the PPF and the comparator, it mainly consists of synthesized digital logic.

However, GRO mismatch and drift lead to offset and drift in the digitized phase output. To suppress these, the GROs are chopped, by periodically swapping their positions with the help of an XOR-gate and two multiplexers. To minimize transient errors due to the stored GRO phase, this is only done once per conversion, i.e. at 1kHz (ChL). As shown in Fig. 5.3.3, a sinc^2 filter is used to decimate the PD $\Delta\Sigma\text{M}$'s output during each phase and the results are then averaged to compensate for the chopper ripple.

The prototype sensor is fabricated in a 65nm CMOS technology (Fig. 5.3.7). It occupies an area of $2210\mu\text{m}^2$ and consumes $28\mu\text{W}$ (74% PPF + comparator, 16% GRO, and 10% digital) at room temperature from a 0.9V supply. The PD $\Delta\Sigma\text{M}$'s PSD is shown in Fig. 5.3.4 (top). It exhibits 1^{st} -order noise shaping and shows that GRO drift is effectively suppressed by chopping. Figure 5.3.4 (bottom) shows the sensor's resolution versus conversion time. With chopping enabled, the sensor achieves a 12.8mK resolution in a 1ms conversion time. A total of 96 sensors from 4 chips were characterized. Over the military temperature-range, their output phase varies by about 33° (Fig. 5.3.5, top-left). The sensor's characteristic is quite linear and only exhibits a small systematic non-linearity (about 6°C) over the military temperature range (Fig. 5.3.5, bottom-left). Simulations show that this is mainly due to the resistor's non-linear TC (Fig. 5.3.5, bottom-right), and can be removed by a fixed 3^{rd} -order polynomial. This results in an inaccuracy of $\pm 1.3^\circ\text{C}$ (3σ) over the military temperature range after a correlated 1-pt trim [7].

Figure 5.3.6 shows a performance summary and comparison to other state-of-the-art temperature sensors for thermal management. Compared to other resistor-based sensors [1-3], this work occupies $\sim 3\times$ less area and achieves comparable inaccuracy up to higher temperatures (125°C). Compared to BJT-based sensors, it achieves comparable area in a more mature process, but is much more scalable, since its supply voltage is not limited by V_{BE} , and most of its circuitry consists of synthesized digital logic.

References:

- [1] A. Khashaba et al., "A 0.0088mm^2 Resistor-Based Temperature Sensor Achieving 92fJ-K^2 FoM in 65nm CMOS," *ISSCC*, pp. 60-61, Feb. 2020.
- [2] Y. Lee et al., "A $5800\text{-}\mu\text{m}^2$ Resistor-Based Temperature Sensor With a One-Point Trimmed Inaccuracy of $\pm 1.2^\circ\text{C}$ (3σ) From -50°C to 105°C in 65-nm CMOS," *IEEE SSC-L*, vol. 2, no. 9, pp. 67-70, Sept. 2019.
- [3] J. A. Angevare and K.A.A. Makinwa, "A $6800\text{-}\mu\text{m}^2$ Resistor-Based Temperature Sensor with $\pm 0.35^\circ\text{C}$ (3σ) Inaccuracy in 180-nm CMOS," *IEEE JSSC*, vol. 54, no. 10, pp. 2649-2657, Oct. 2019.
- [4] U. Sönmez et al., "Compact Thermal-Diffusivity-Based Temperature Sensors in 40-nm CMOS for SoC Thermal Monitoring," *IEEE JSSC*, vol. 52, no. 3, pp. 834-843, March 2017.
- [5] B. M. Helal et al., "A Highly Digital MDLL-Based Clock Multiplier that Leverages a Self-Scrambling Time-to-Digital Converter to Achieve Subpicosecond Jitter Performance," *IEEE JSSC*, vol. 43, no. 4, pp. 855-863, April 2008.
- [6] U. Sönmez et al., "Analysis and Design of VCO-Based Phase-Domain $\Sigma\Delta$ Modulators," *IEEE TCAS-I*, vol. 64, no. 5, pp. 1075-1084, May 2017.
- [7] S. Pan et al., "A Resistor-Based Temperature Sensor With a 0.13pJ-K^2 Resolution FoM," *IEEE JSSC*, vol. 53, no. 1, pp. 163-174, Jan. 2018.

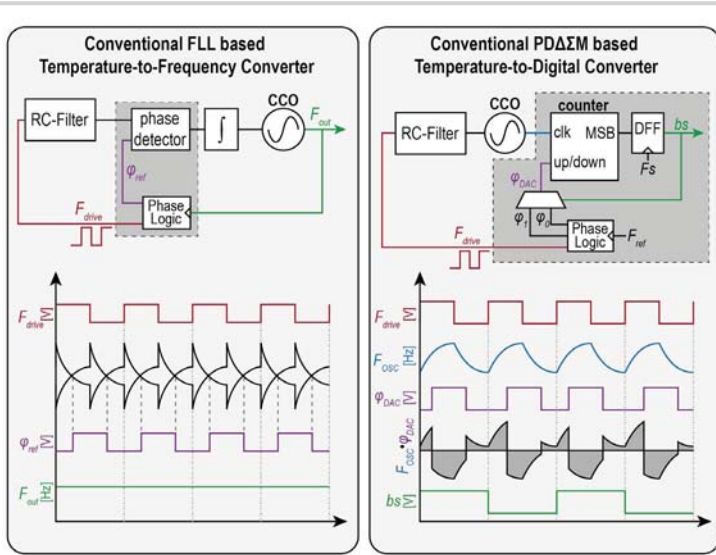


Figure 5.3.1: Simplified block diagram of FLL- and PD $\Delta\Sigma$ M-based temperature sensors.

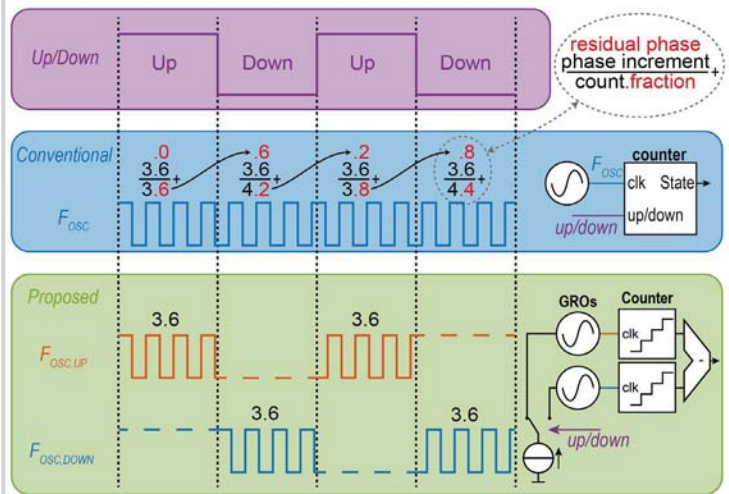


Figure 5.3.2: Time-domain Q-noise in VCO- and GRO-based Up/Down counters.

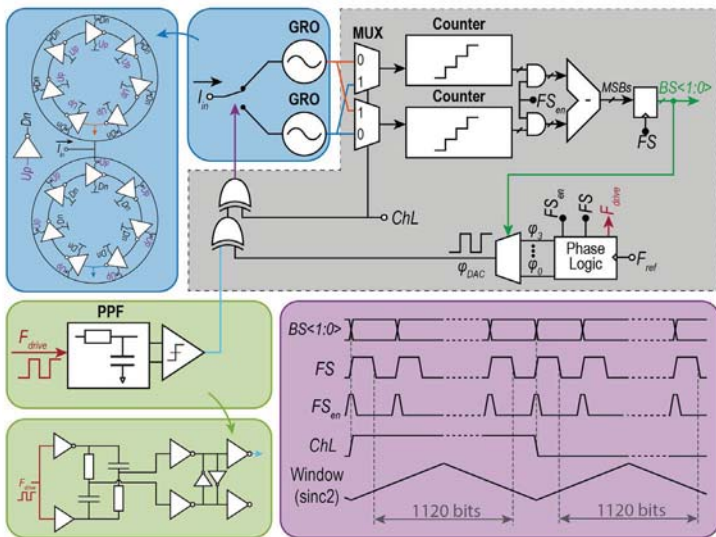


Figure 5.3.3: Complete system diagram and waveforms illustrating its operation.

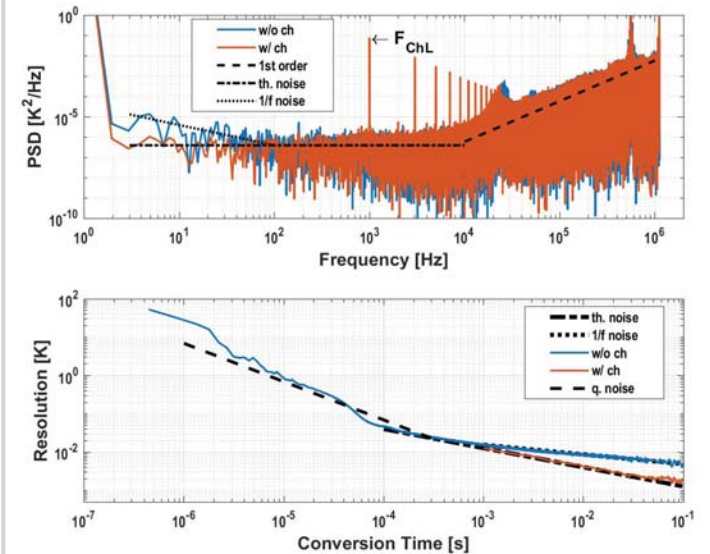


Figure 5.3.4: PSD of the sensor's bitstream (top, Hanning window, 1,048,576 samples) and its resolution vs. conversion-time (bottom).

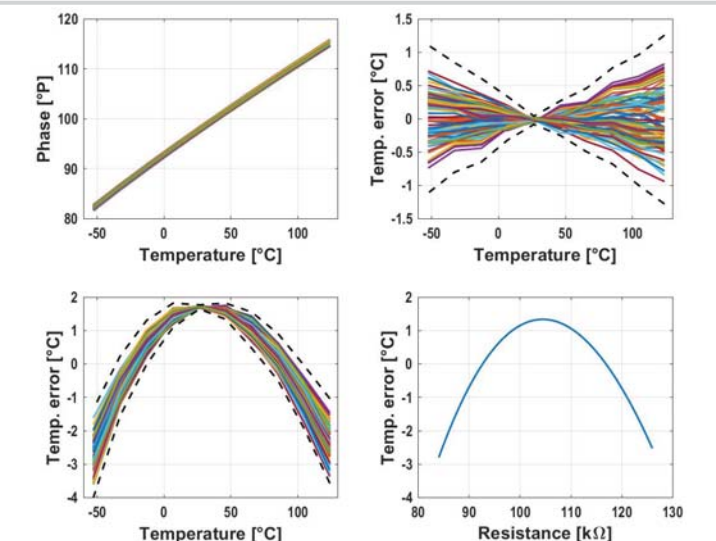


Figure 5.3.5: Sensor output phase (top-left); error after a correlated 1-pt trim + 3rd-order polynomial (top-right); error after a correlated 1-pt trim (bottom-left), and simulated non-linearity of the sensor (bottom-right).

	This work	ISSCC20 Khashaba [1]	SSCL19 Lee [2]	JSSC17 Sonmez [4]	SSCL19 Eberlein	ISSCC18 Lu
Sensor type	Resistor PD $\Delta\Sigma$ M	Resistor FLL	Resistor FLL	TD PD $\Delta\Sigma$ M	Diode SAR	BJT-MOS SAR
Process	65nm	65nm	65nm	40nm	16nm	22nm
Area [μm^2]	2 210	8 800	5 800	1 650	2 500	4 300
Temperature Range [$^{\circ}\text{C}$]	-55 to 125	-30 to 90	-50 to 105	-55 to 125	-15 to 105	-30 to 120
Accuracy [$^{\circ}\text{C}$]	± 1.3 (3 σ)	± 0.72 (p2p)	± 1.2 (3 σ)	± 1.4 (3 σ)	+1.5/-2.0 (p2p)	± 1.07 (3 σ)
Trimming	1-pt	1-pt	1-pt	0-pt	0-pt	1-pt
Power [μW]	28	45	32.5	2 500	18	50
Supply voltage [V]	0.9	1	1	1.05	0.95	1
Conversion time [ms]	1	1	1	1	0.013	0.032
Resolution [mK]	12.8 (rms)	1.43 (rms)	2.8 (rms)	360 (rms)	300 (lsb)	580 (lsb)
PSS [$^{\circ}\text{C}/\text{V}$]	9.1	2.2	0.22	2.8	1.5	1.76

Figure 5.3.6: Performance summary and comparison with prior art.

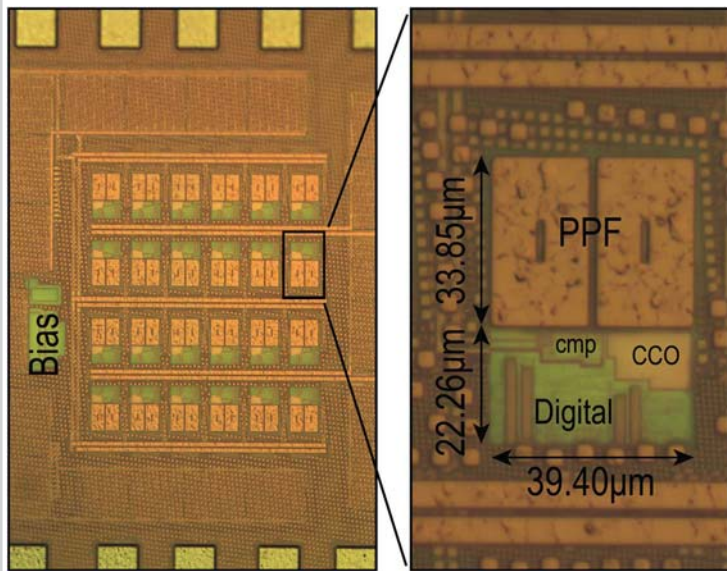


Figure 5.3.7: Die micrograph of the fabricated temperature sensor.