

4 3 2 1

F

F

E

E

D

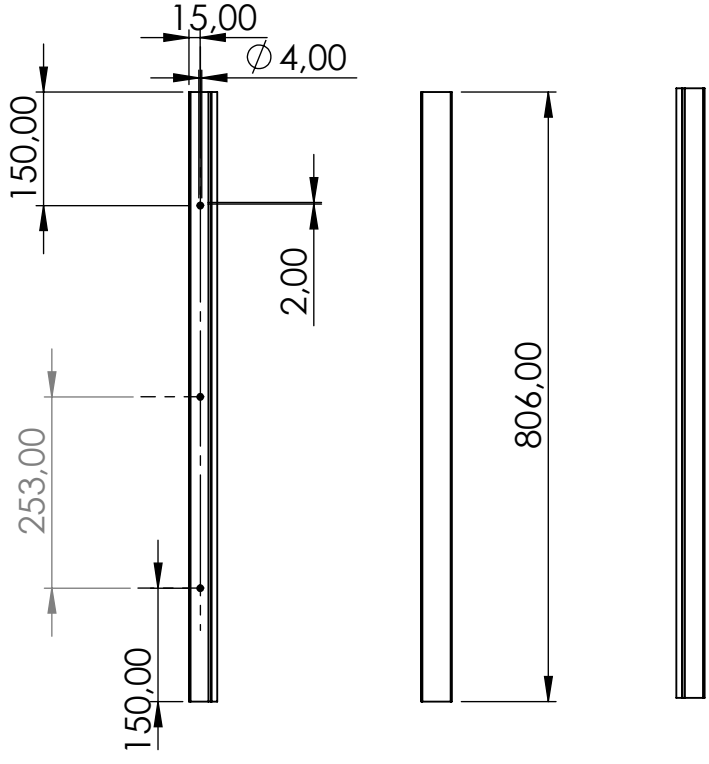
D

C

C

B

B



UNLESS OTHERWISE SPECIFIED:
 DIMENSIONS ARE IN MILLIMETERS
 SURFACE FINISH:
 TOLERANCES:
 LINEAR:
 ANGULAR:

FINISH:

DEBURR AND
 BREAK SHARP
 EDGES

DO NOT SCALE DRAWING

REVISION

	NAME	SIGNATURE	DATE
DRAWN	Jeroen van Erven		
CHK'D			
APPV'D			
MFG			
Q.A			

TITLE:
**Eindconcept
 handrail 882**

MATERIAL:
 LDPE

DWG NO.
10

SCALE:1:10

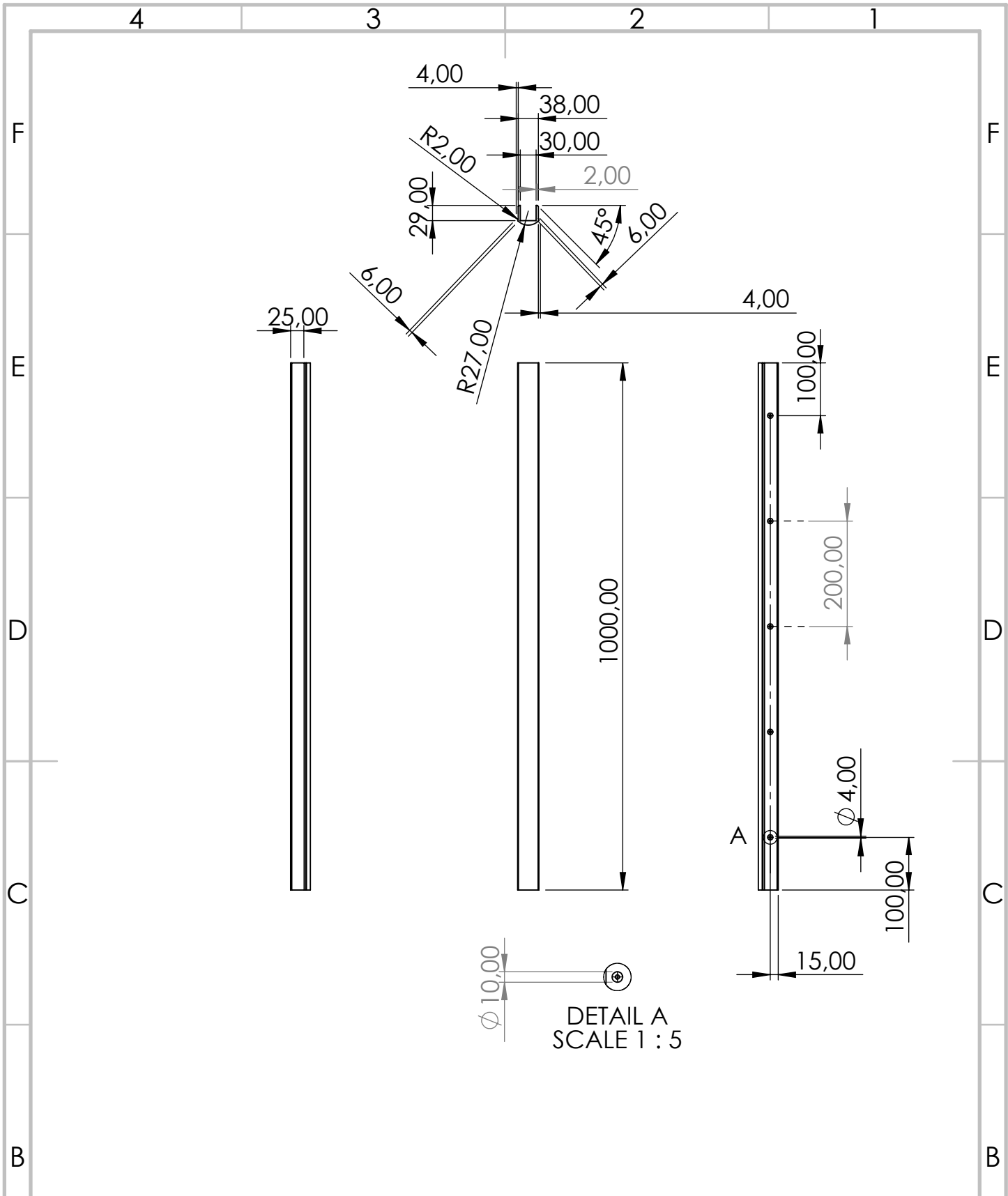
SHEET 1 OF 1

4 3 2 1

A

A

A4



DETAIL A
SCALE 1 : 5

UNLESS OTHERWISE SPECIFIED:
DIMENSIONS ARE IN MILLIMETERS
SURFACE FINISH:
TOLERANCES:
LINEAR:
ANGULAR:

FINISH:

DEBURR AND
BREAK SHARP
EDGES

DO NOT SCALE DRAWING

REVISION

	NAME	SIGNATURE	DATE
DRAWN	Jeroen van Erven		
CHK'D			
APPV'D			
MFG			
Q.A			
		MATERIAL: LDPE	
		WEIGHT:	

TITLE: Eindconcept handrail 1000	
DWG NO. 6	A4
SCALE:1:10	
SHEET 1 OF 1	

A

A

4 3 2 1

F

F

E

E

D

D

C

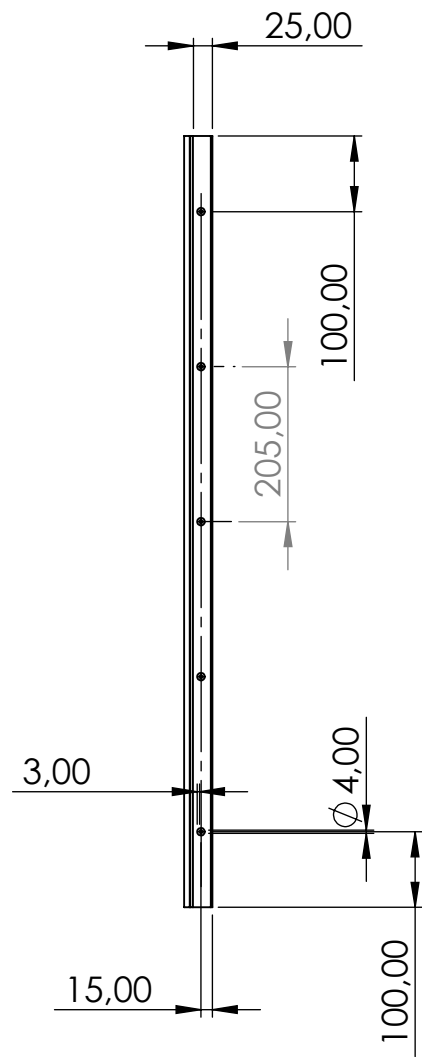
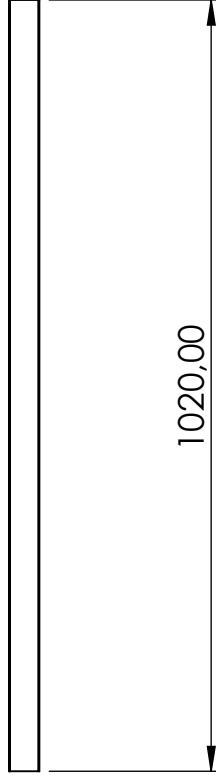
C

B

B

A

A



UNLESS OTHERWISE SPECIFIED:
DIMENSIONS ARE IN MILLIMETERS
SURFACE FINISH:
TOLERANCES:
LINEAR:
ANGULAR:

FINISH:

DEBURR AND
BREAK SHARP
EDGES

DO NOT SCALE DRAWING

REVISION

	NAME	SIGNATURE	DATE
DRAWN	Jeroen van Erven		
CHK'D			
APPV'D			
MFG			
Q.A			

TITLE: **Eindconcept handrail 1020**

DWG NO. **7**

SCALE: 1:10

SHEET 1 OF 1

A4

4 3 2 1

4 3 2 1

F

F

E

E

D

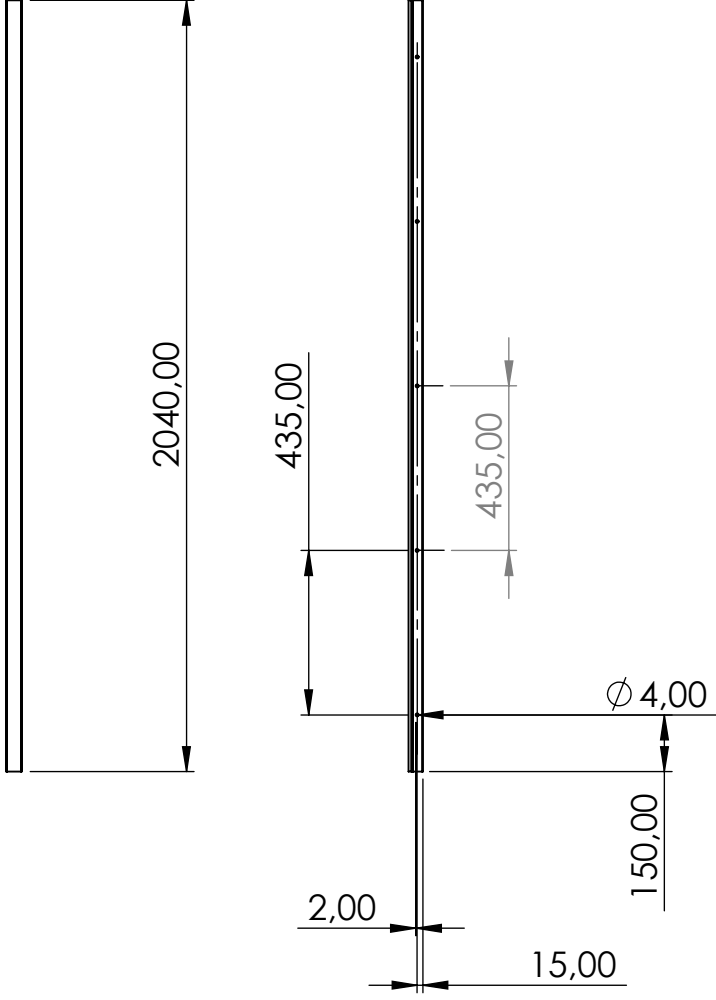
D

C

C

B

B



UNLESS OTHERWISE SPECIFIED:
DIMENSIONS ARE IN MILLIMETERS
SURFACE FINISH:
TOLERANCES:
LINEAR:
ANGULAR:

FINISH:

DEBURR AND
BREAK SHARP
EDGES

DO NOT SCALE DRAWING

REVISION

	NAME	SIGNATURE	DATE
DRAWN	Jeroen van Erven		
CHK'D			
APPV'D			
MFG			
Q.A			

TITLE:
**Eindconcept
handrail 2040**

DWG NO. **9**

MATERIAL:
LDPE

SCALE: 1:20

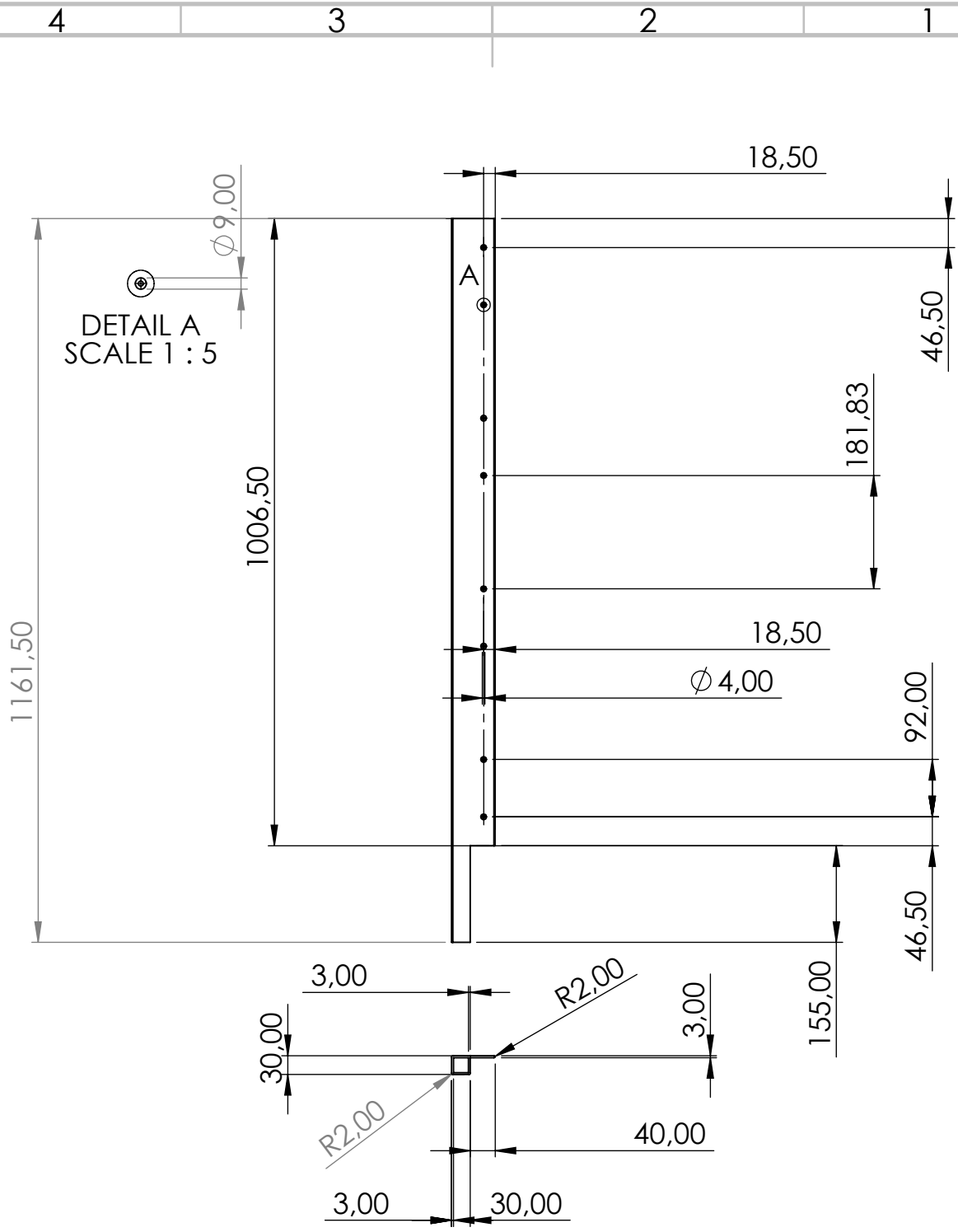
SHEET 1 OF 1

A4

4 3 2 1

A

A



UNLESS OTHERWISE SPECIFIED:
 DIMENSIONS ARE IN MILLIMETERS
 SURFACE FINISH:
 TOLERANCES:
 LINEAR:
 ANGULAR:

FINISH:

DEBURR AND
 BREAK SHARP
 EDGES

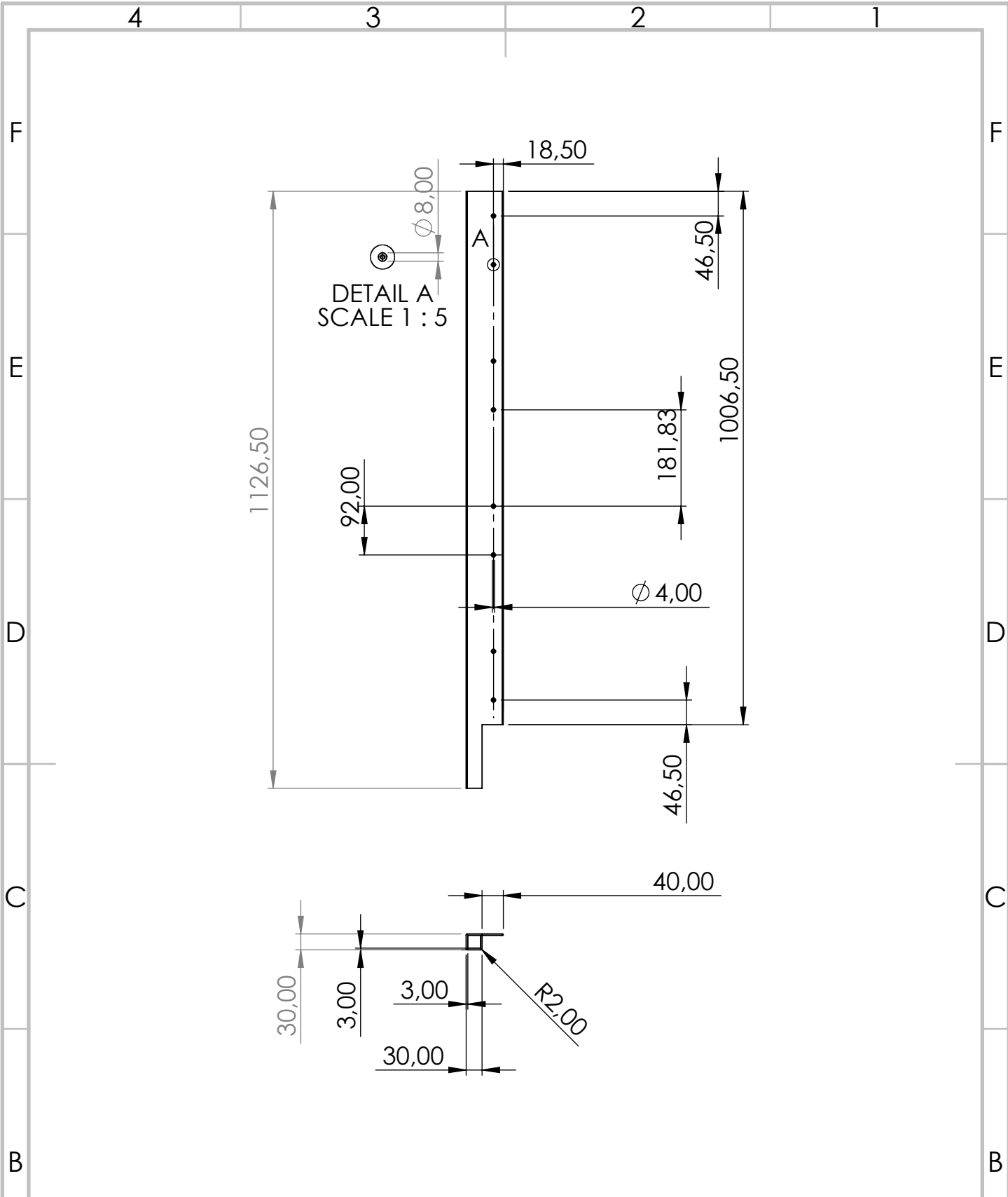
DO NOT SCALE DRAWING

REVISION

	NAME	SIGNATURE	DATE
DRAWN	Jeroen van Erven		
CHK'D			
APPV'D			
MFG			
Q.A			

TITLE:	
Eindontwerp frame links hoog	
MATERIAL:	DWG NO.
Galvanised Steel	2
WEIGHT:	SCALE:1:10
	SHEET 1 OF 1

A4



UNLESS OTHERWISE SPECIFIED:
 DIMENSIONS ARE IN MILLIMETERS
 SURFACE FINISH:
 TOLERANCES:
 LINEAR:
 ANGULAR:

FINISH:

DEBURR AND
 BREAK SHARP
 EDGES

DO NOT SCALE DRAWING

REVISION

	NAME	SIGNATURE	DATE
DRAWN	Jeroen van Erven		
CHK'D			
APPV'D			
MFG			
Q.A			

TITLE:
Eindontwerp frame links laag

MATERIAL:
 Galvanised Steel

DWG NO.
 4

SCALE:1:10

SHEET 1 OF 1

4 3 2 1

F

F

E

E

D

D

C

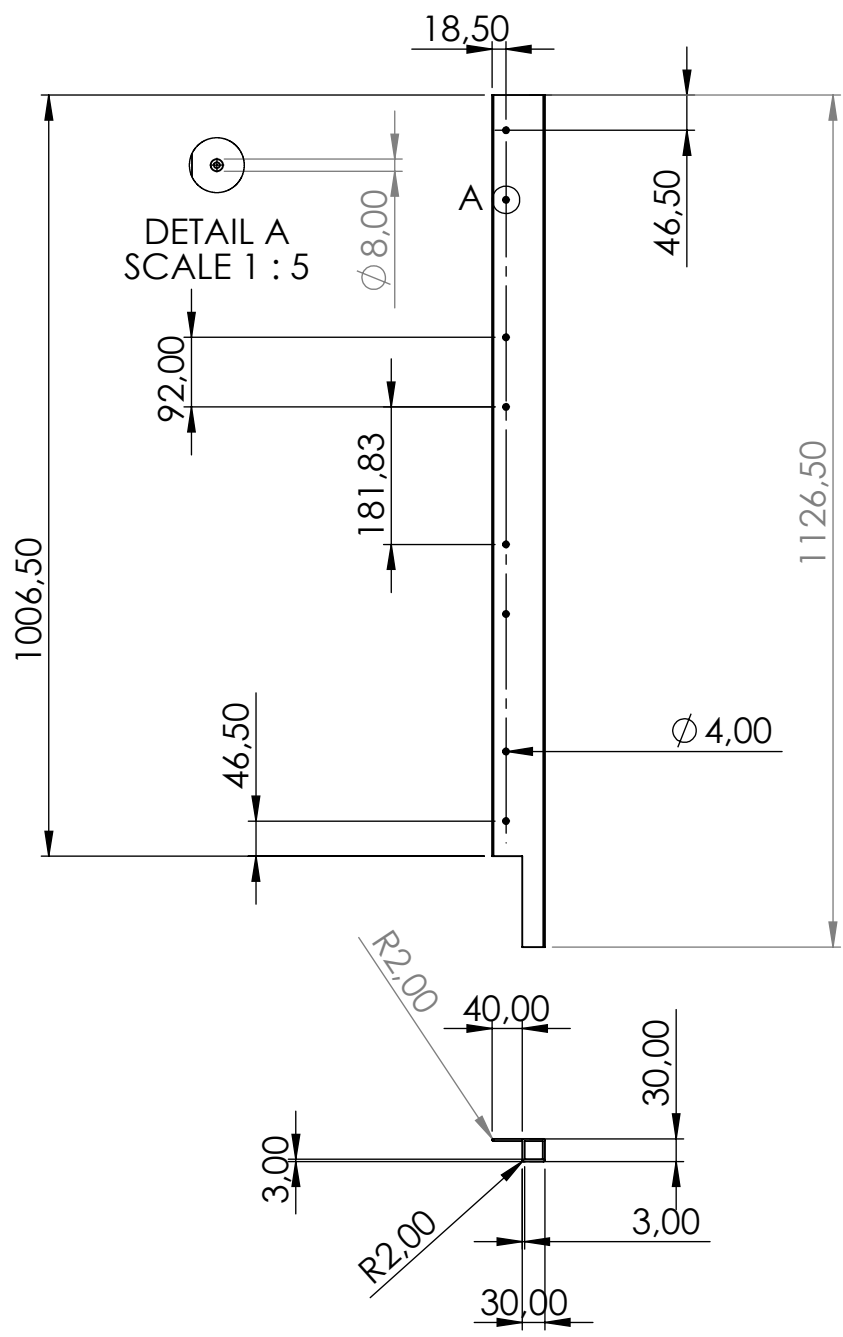
C

B

B

A

A



UNLESS OTHERWISE SPECIFIED:
DIMENSIONS ARE IN MILLIMETERS
SURFACE FINISH:
TOLERANCES:
LINEAR:
ANGULAR:

FINISH:

DEBURR AND
BREAK SHARP
EDGES

DO NOT SCALE DRAWING REVISION

	NAME	SIGNATURE	DATE
DRAWN	Jeroen van Erven		
CHK'D			
APPV'D			
MFG			
Q.A			

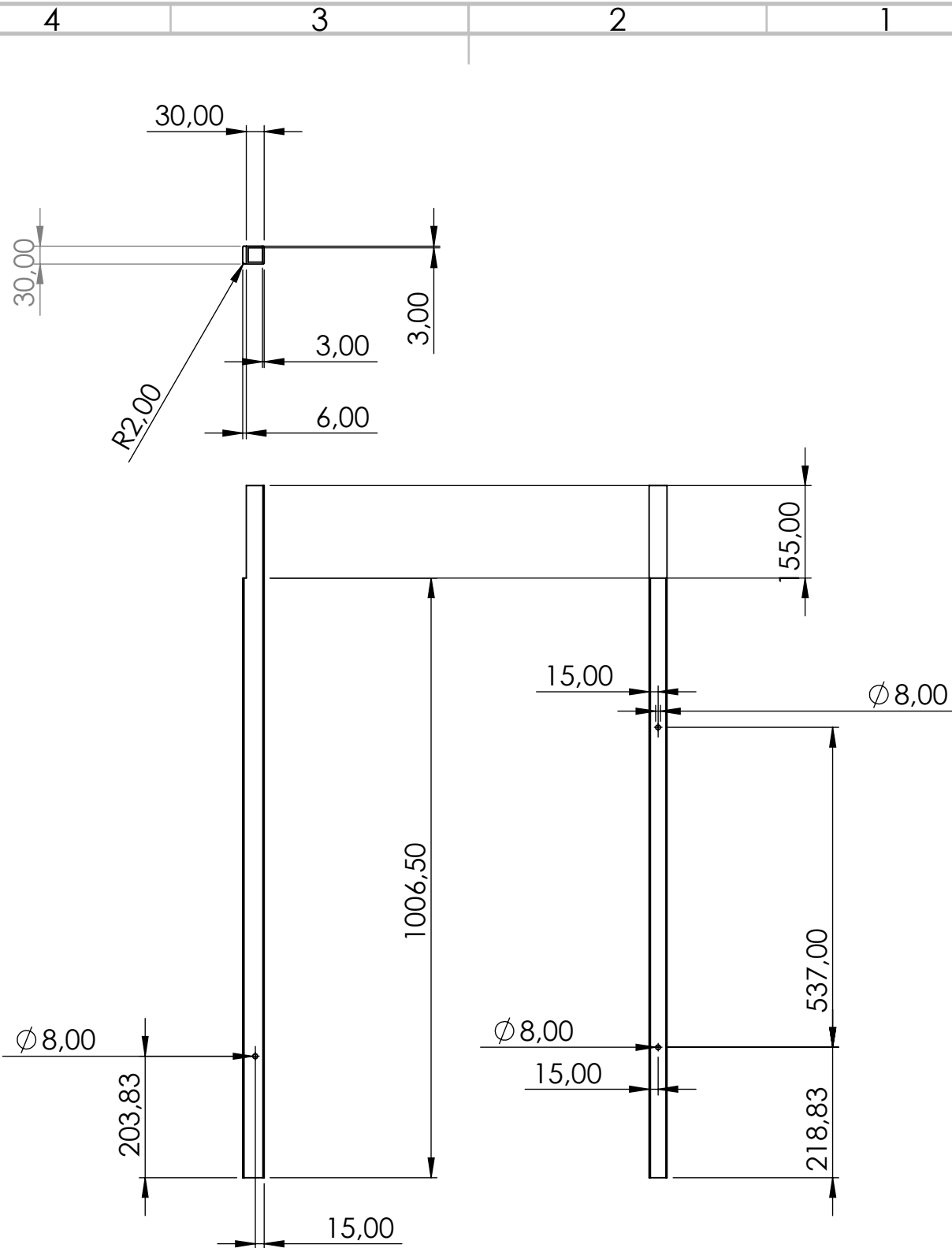
TITLE:
Eindontwerp frame rechts laag

MATERIAL:
Galvanised Steel

DWG NO. 3 A4

WEIGHT:
SCALE:1:10 SHEET 1 OF 1

4 3 2 1



UNLESS OTHERWISE SPECIFIED:
 DIMENSIONS ARE IN MILLIMETERS
 SURFACE FINISH:
 TOLERANCES:
 LINEAR:
 ANGULAR:

FINISH:

DEBURR AND
 BREAK SHARP
 EDGES

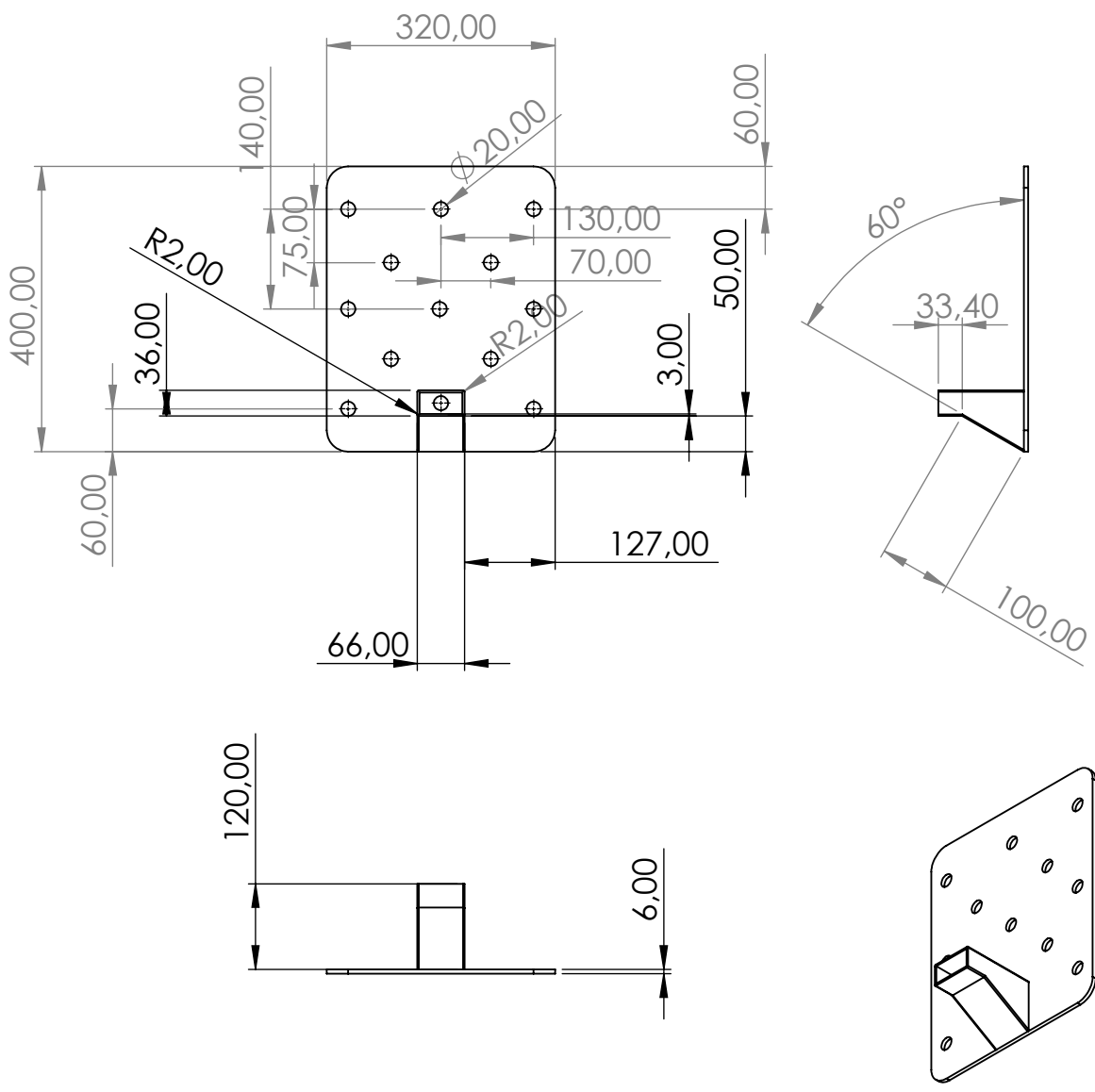
DO NOT SCALE DRAWING

REVISION

NAME	SIGNATURE	DATE
DRAWN Jeroen van Erven		
CHK'D		
APPV'D		
MFG		
Q.A		

TITLE: <h1>Hoekpaal</h1>	
MATERIAL: Galvanised Steel	DWG NO. 5
WEIGHT:	SCALE:1:10
	SHEET 1 OF 1

A4



UNLESS OTHERWISE SPECIFIED:
 DIMENSIONS ARE IN MILLIMETERS
 SURFACE FINISH:
 TOLERANCES:
 LINEAR:
 ANGULAR:

FINISH:

DEBURR AND
 BREAK SHARP
 EDGES

DO NOT SCALE DRAWING

REVISION

	NAME	SIGNATURE	DATE
DRAWN	Jeroen van Erven		
CHK'D			
APPV'D			
MFG			
Q.A			

TITLE:
**Eindontwerp voet
 middensteun**

MATERIAL:
 Galvanised steel

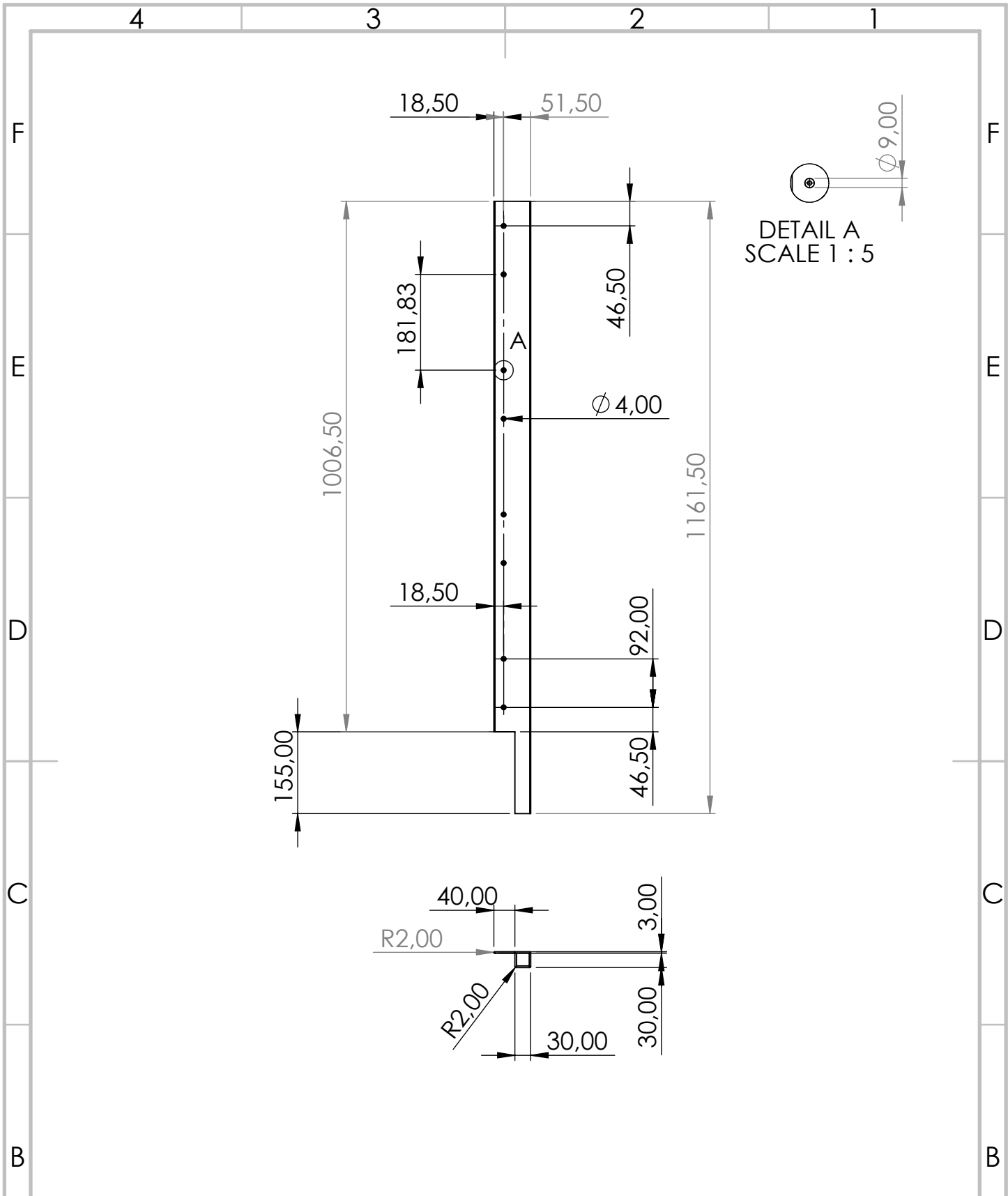
DWG NO.
11

A4

WEIGHT:

SCALE:1:10

SHEET 1 OF 1



DETAIL A
SCALE 1 : 5

UNLESS OTHERWISE SPECIFIED:
DIMENSIONS ARE IN MILLIMETERS
SURFACE FINISH:
TOLERANCES:
LINEAR:
ANGULAR:

FINISH:

DEBURR AND
BREAK SHARP
EDGES

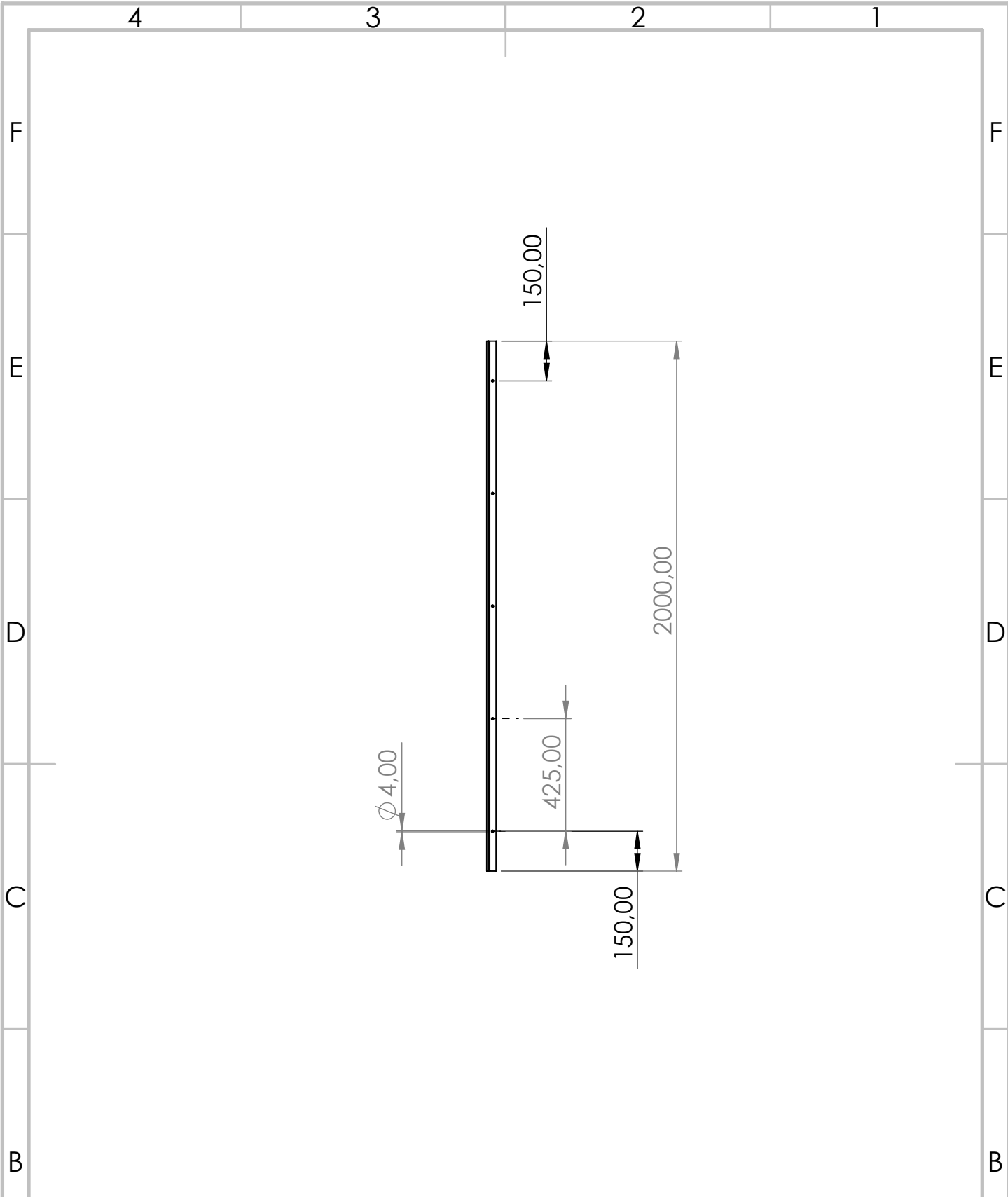
DO NOT SCALE DRAWING

REVISION

	NAME	SIGNATURE	DATE
DRAWN	Jeroen van Erven		
CHK'D			
APPV'D			
MFG			
Q.A			
MATERIAL:		Galvanised Steel	
WEIGHT:			

TITLE:		Eindontwerp frame rechts hoog	
DWG NO.		1	
SCALE: 1:10		SHEET 1 OF 1	

A4



UNLESS OTHERWISE SPECIFIED:
 DIMENSIONS ARE IN MILLIMETERS
 SURFACE FINISH:
 TOLERANCES:
 LINEAR:
 ANGULAR:

FINISH:

DEBURR AND
 BREAK SHARP
 EDGES

DO NOT SCALE DRAWING

REVISION

	NAME	SIGNATURE	DATE
DRAWN	Jeroen van Erven		
CHK'D			
APPV'D			
MFG			
Q.A			

TITLE:
**Eindconcept
 handrail 2000**

DWG NO. **8**

MATERIAL:
 LDPE

SCALE: 1:20

SHEET 1 OF 1

A4