

AN ADAPTIVE VISION

ADAPTIVE REDESIGN OF 'DOK 25' MARINETERREIN

AR3AE015 Architectural Engineering: Intecture graduation studio (2017-2018)

P5 Booklet
Robert Jan Pruijm
4418670

CONTENT

INTRODUCTION

Fascination
Problem statement
Objective

RESEARCH

Methodology
Findings

ANALYSIS

Connecting
Innovating
Activating
Redeveloping
Vision

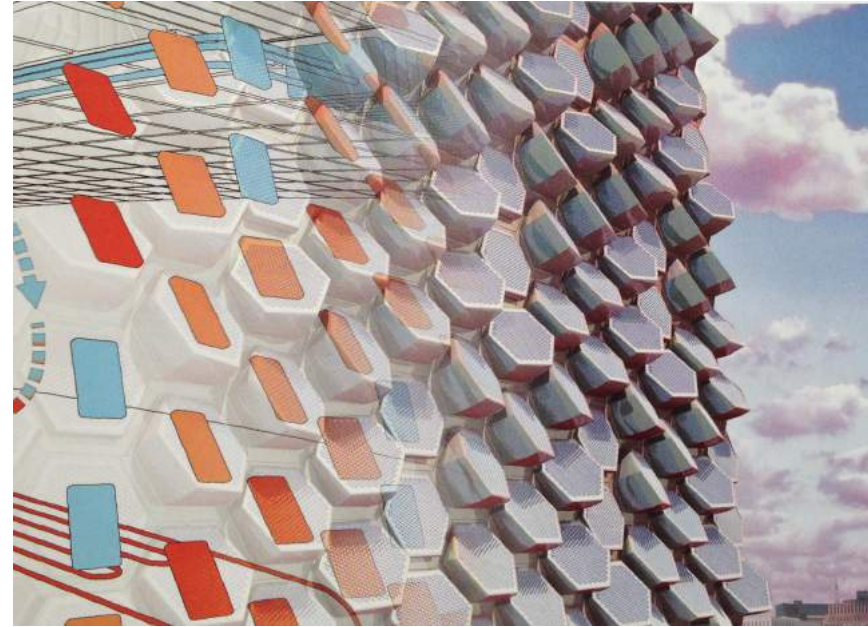
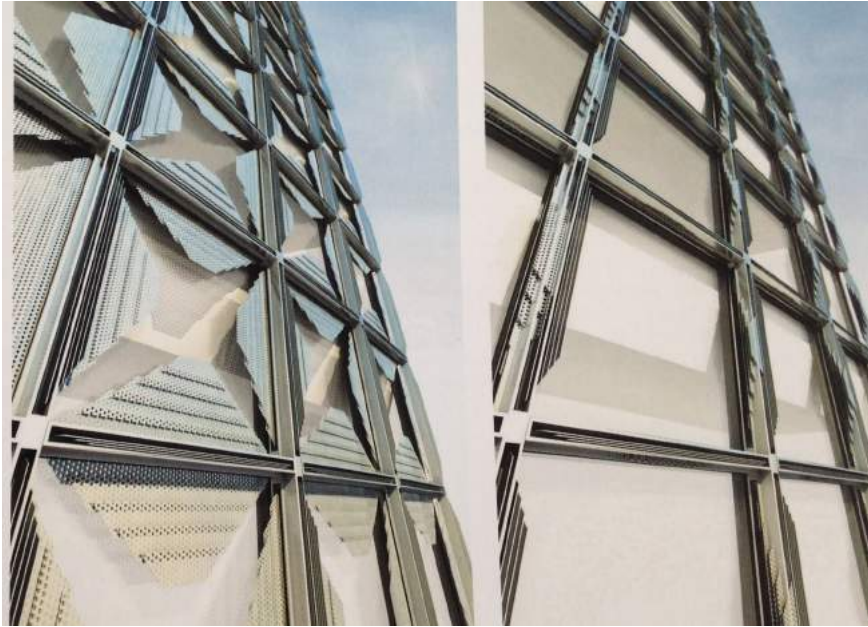
DESIGN

Extension
Climate
Adaptive facade
Expression
Drawings
Fragment
Details
Mechanism Adaptive facade

INTRODUCTION

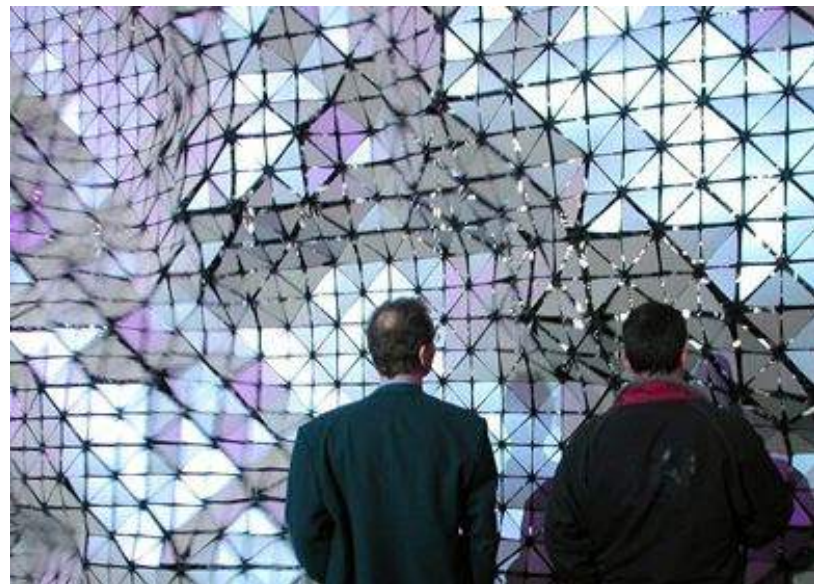
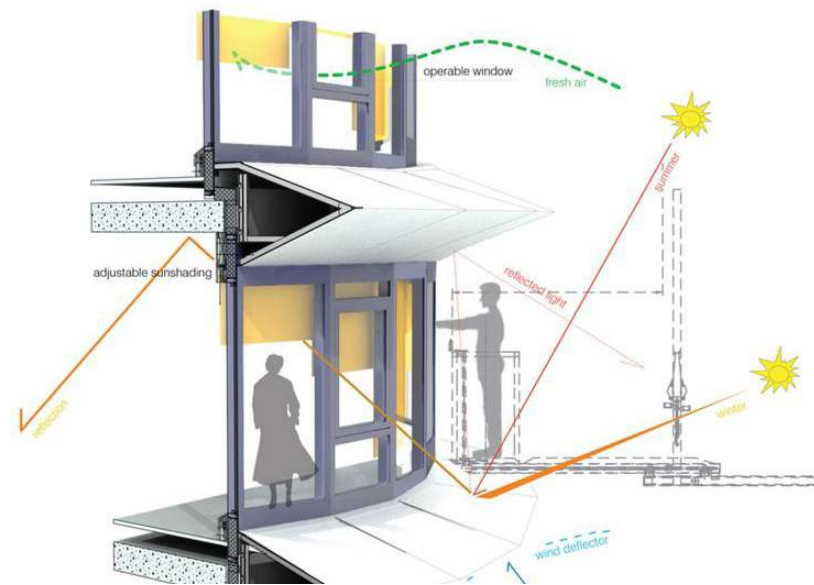
FASCINATION

FAÇADE WHICH REACTS ON THE CLIMATE



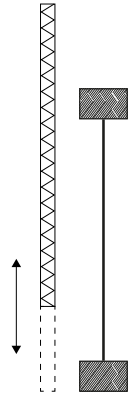
FASCINATION

FAÇADE REACTS ON THE USER

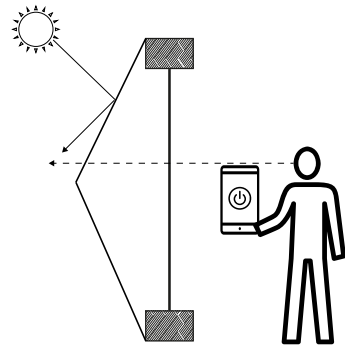


FASCINATION

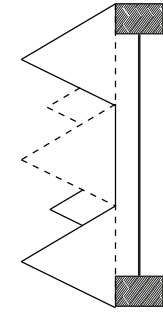
ADAPTIVE



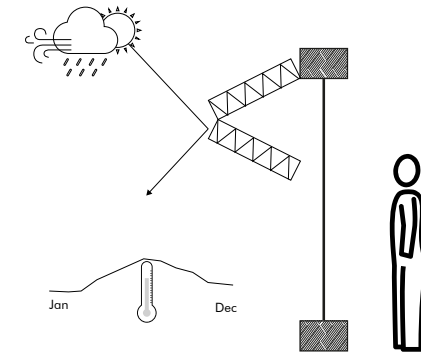
**MOVABLE
2D**



SMART



**KINETIC
3D**



ADAPTIVE

ADAPTIVITY

DEFINITION:

Capable to change the functions, features or behaviour over time,
due to several Inputs,
in response to transient performance requirements and boundary conditions.

(Researcher, R.C.G.M. Loonen)

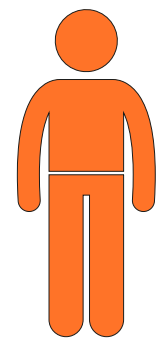
PROBLEM STATEMENT

STATIC



PROBLEM STATEMENT

THIRD LAYER



1ST LAYER

BODY



2ND LAYER

CLOTHES

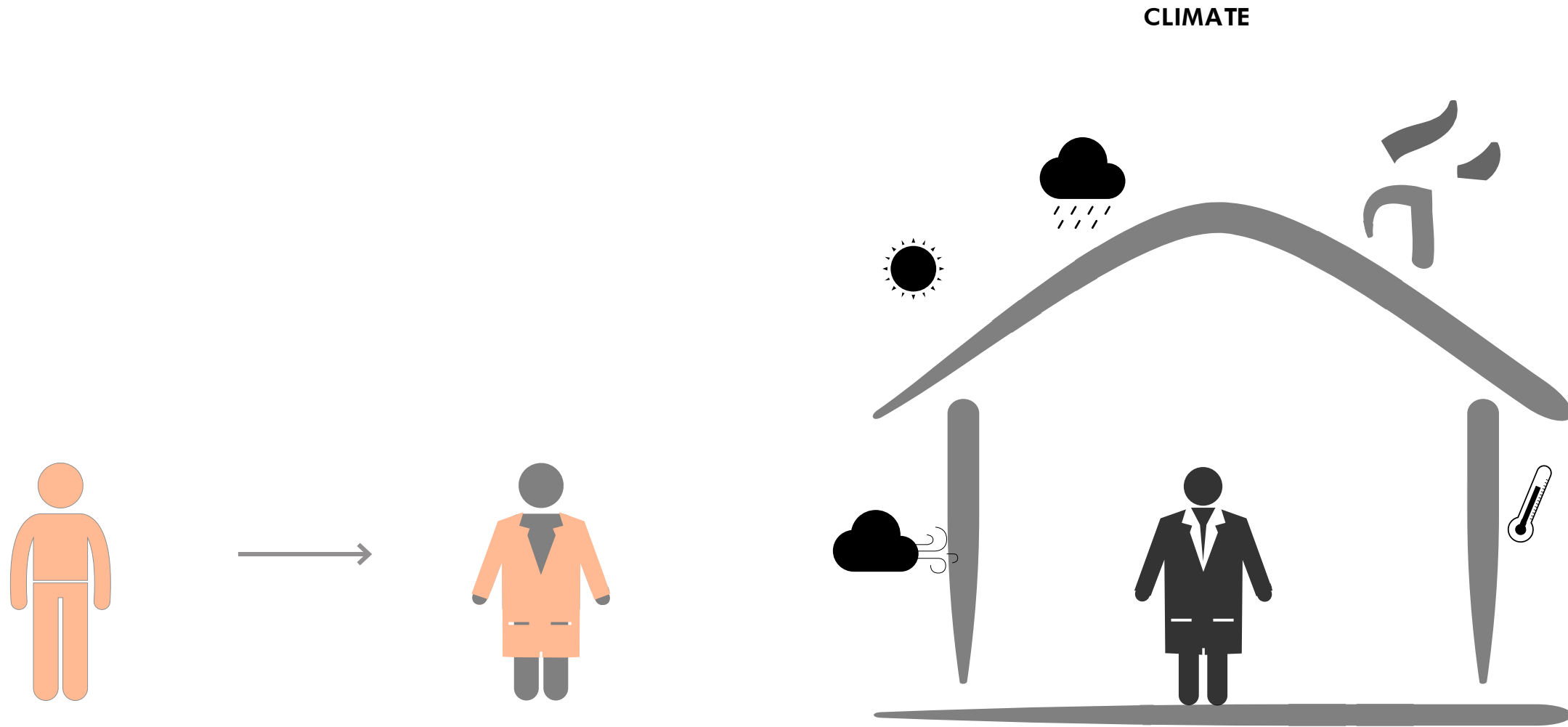


3RD LAYER

BUILDING SHELL

PROBLEM STATEMENT

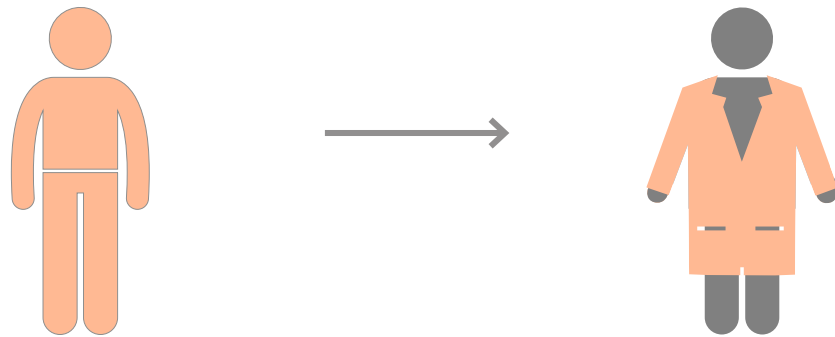
ELECTRICITY CONSUMPTION



PROBLEM STATEMENT

ELECTRICITY CONSUMPTION

HVAC



PROBLEM STATEMENT

PERCEPTION COMFORT

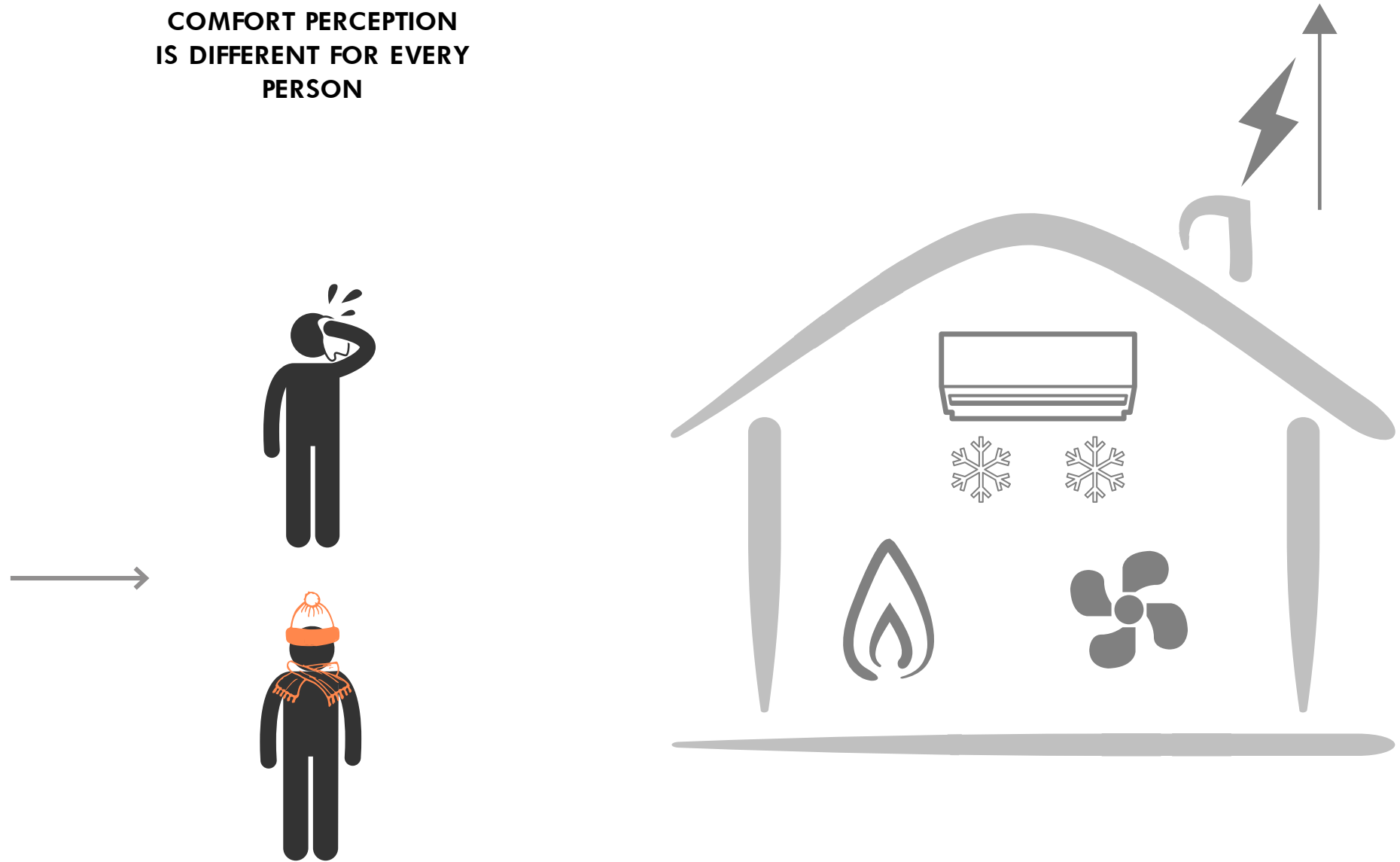
HUMAN BODY REACTS
ON THE ENVIRONMENT
CHANGES



PROBLEM STATEMENT

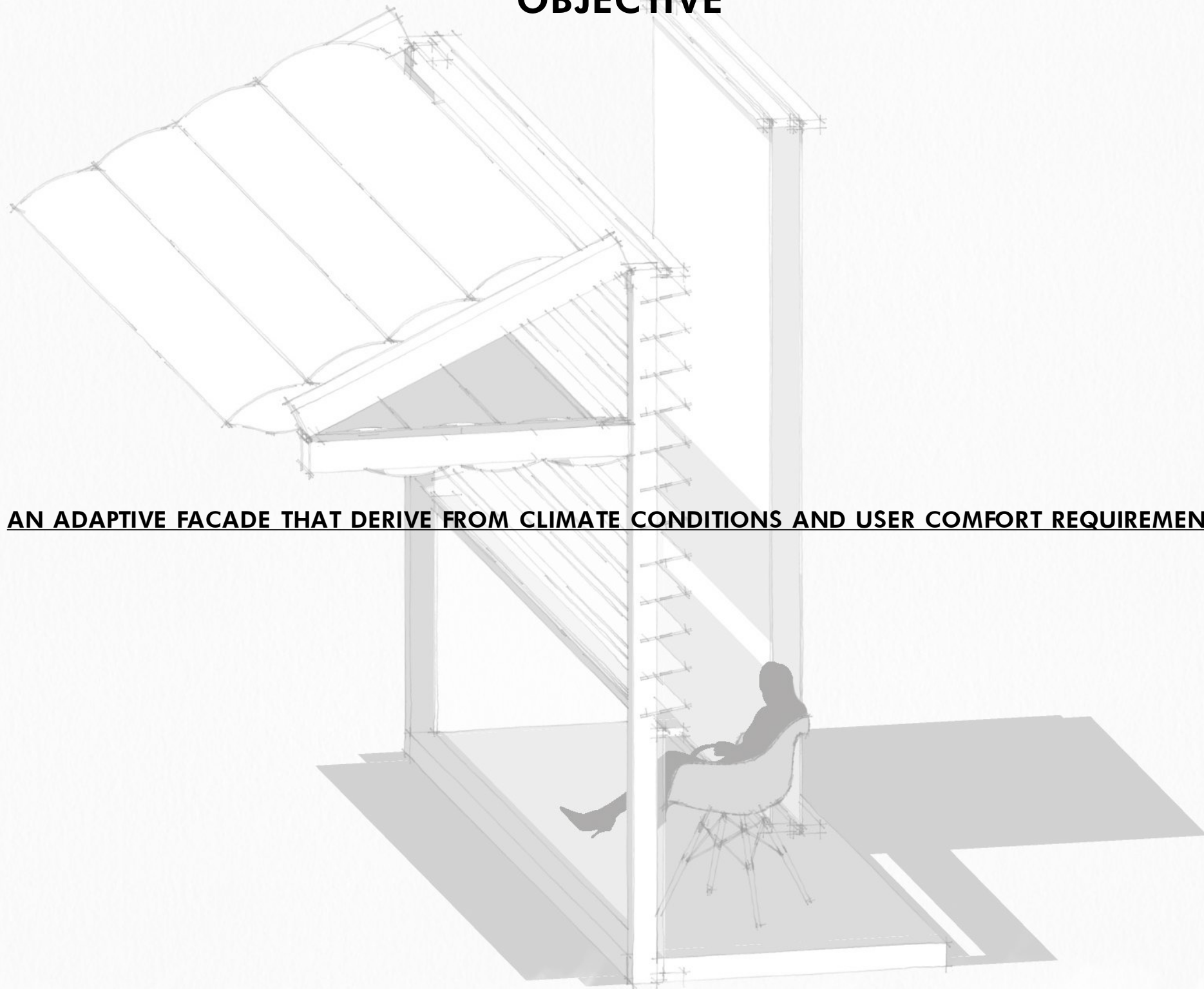
PERCEPTION COMFORT

COMFORT PERCEPTION
IS DIFFERENT FOR EVERY
PERSON



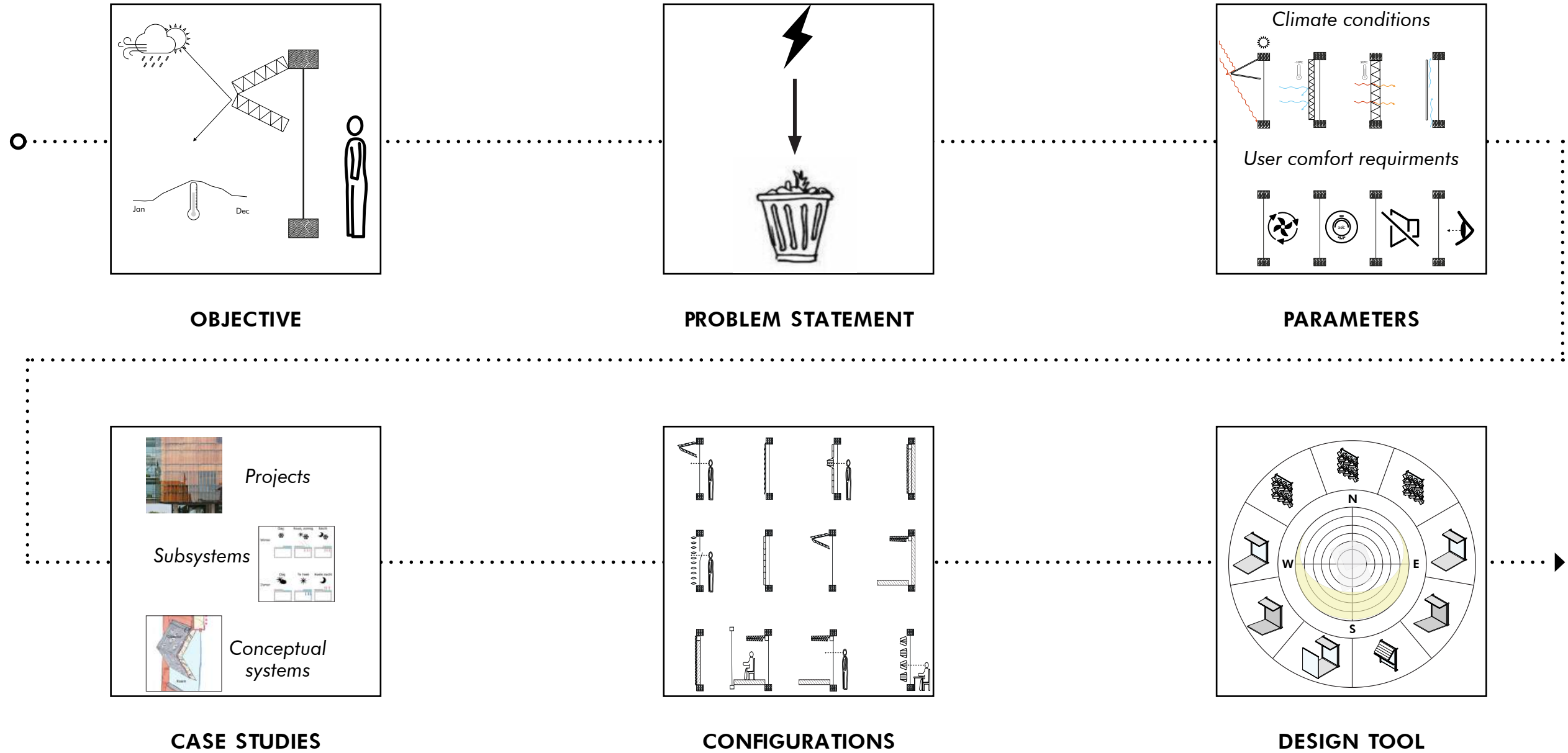
OBJECTIVE

AN ADAPTIVE FACADE THAT DERIVE FROM CLIMATE CONDITIONS AND USER COMFORT REQUIREMENTS



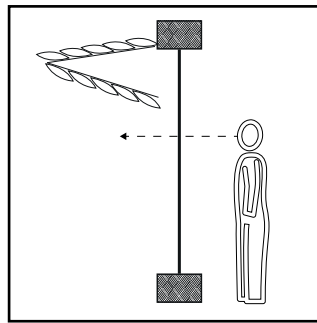
RESEARCH

METHODOLOGY

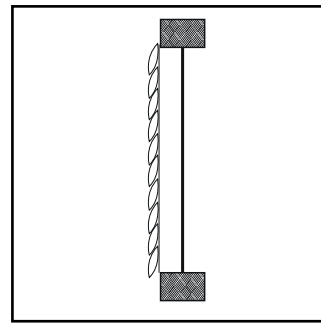


CONFIGURATIONS

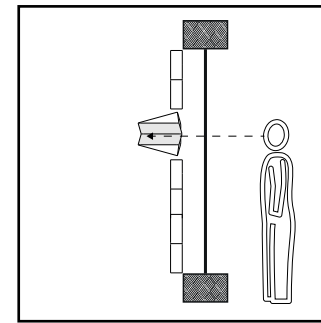
ELEMENTS



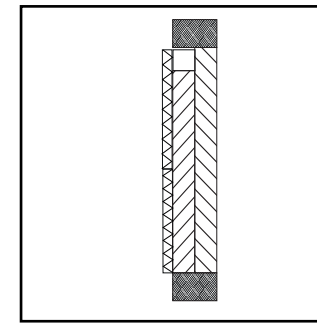
FULLY OPEN



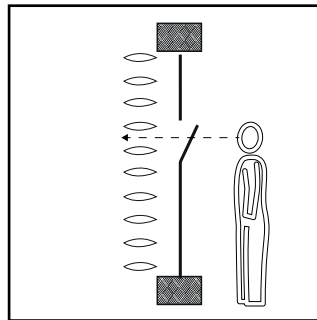
FULLY CLOSED



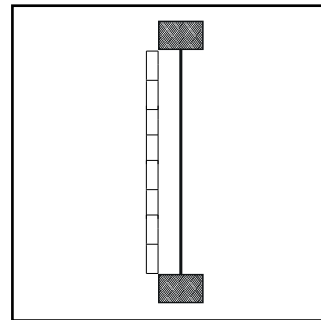
**PARTLY OPEN /
CLOSED**



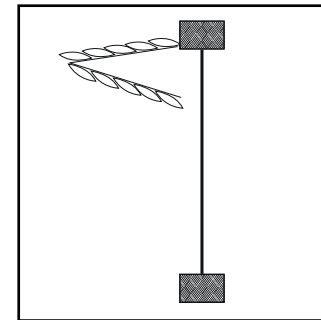
MULTIPLE LAYERS



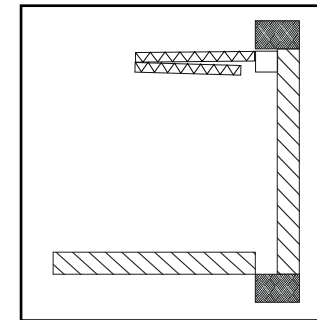
OPEN A WINDOW



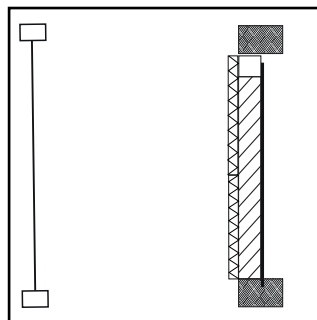
**LAYER
INSULATION**



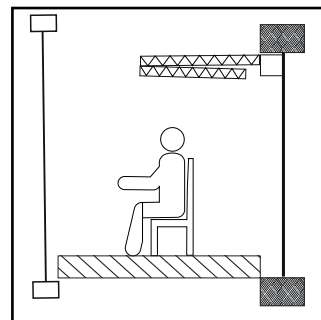
**LAYER SUN
SHADING**



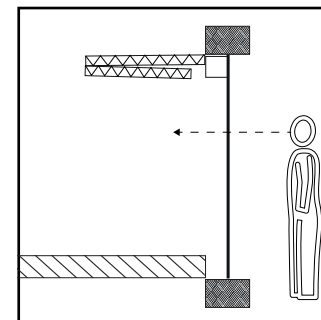
**LAYER THERMAL
MASS**



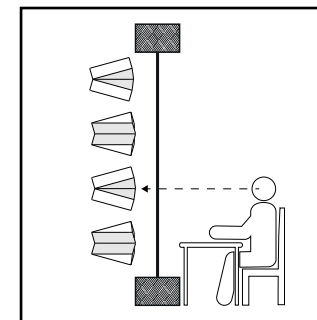
SECOND SKIN



**CREATE SEATING
SURFACE**



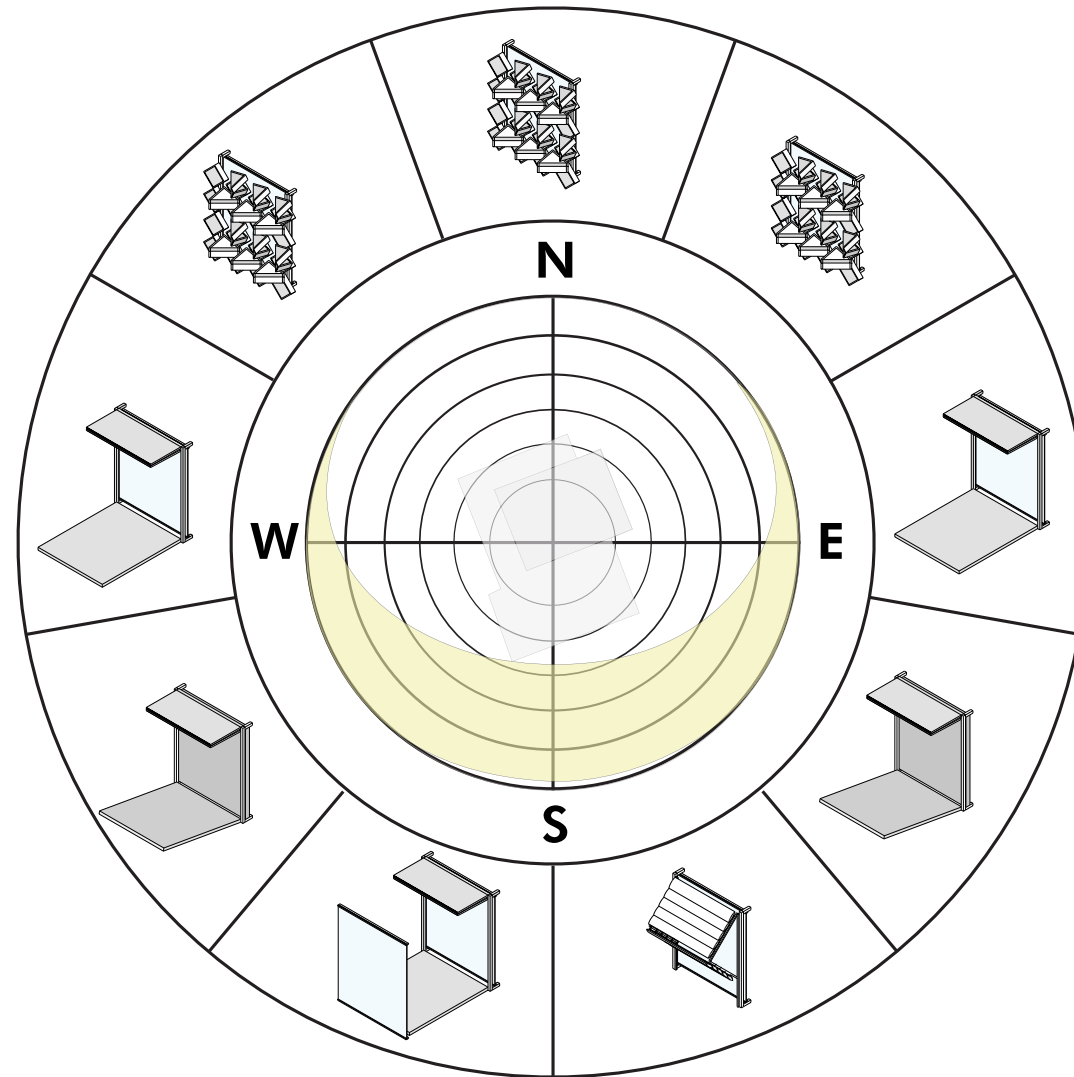
**LARGE ELEMENTS
COLLECTIVE TEMP.**



**SMALL ELEMENTS
INDIVIDUAL TEMP.**

DESIGN TOOL

CONCLUSION



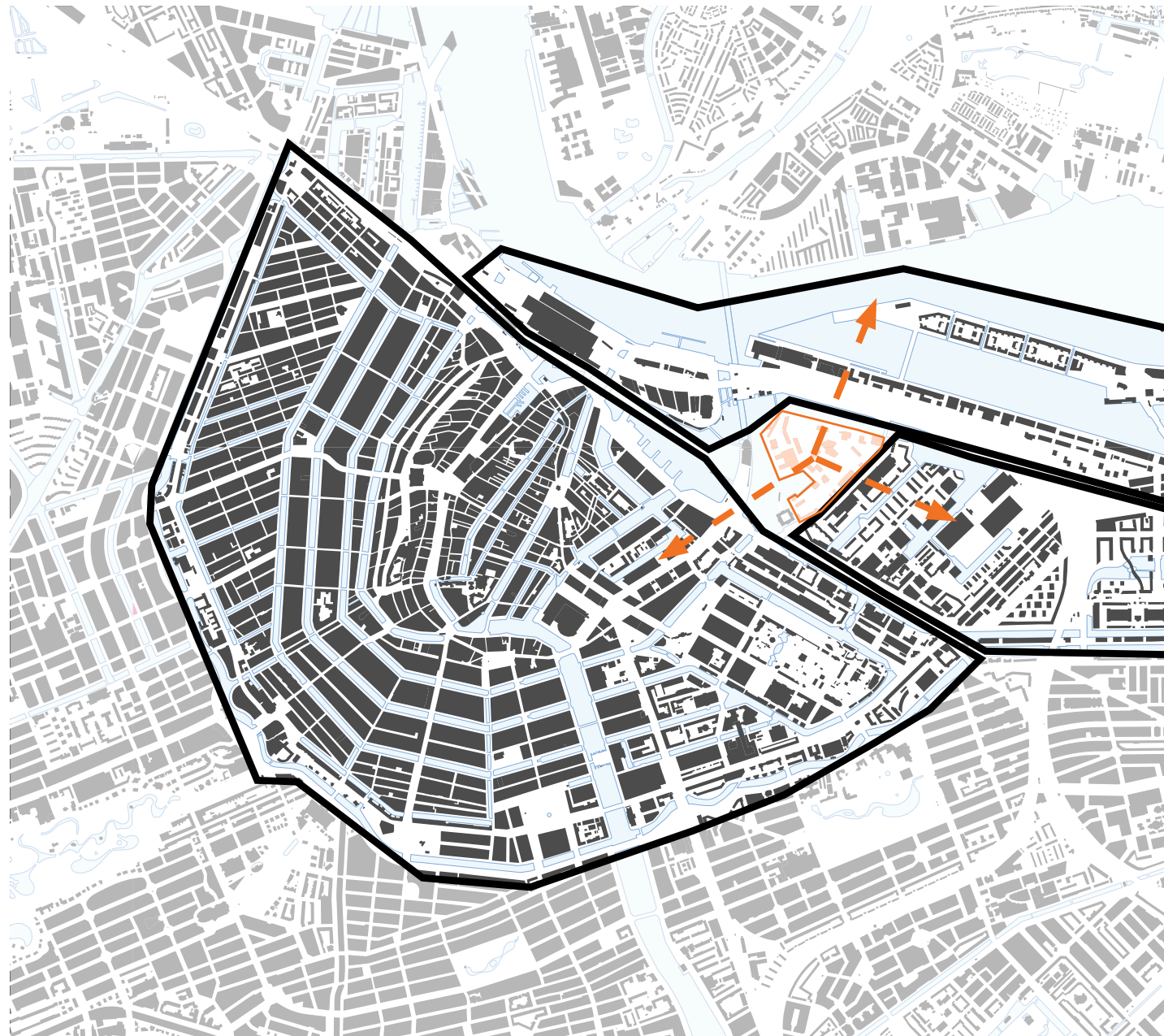
ANALYSIS

MARINETERRAIN

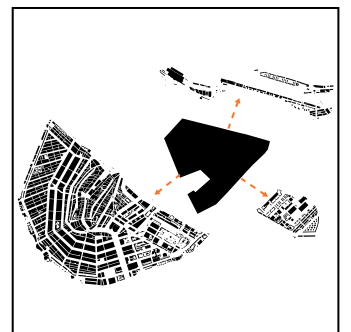


CONNECTING

CENTRAL LOCATED



Connected with the city centre, Java island -Pietheinkade and East of Amsterdam.

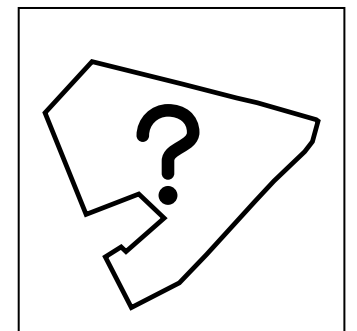


CONNECTING

UNKNOWN AREA



Located in Amsterdam

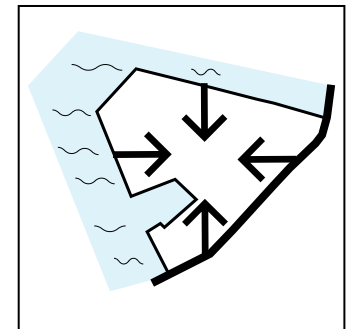


CONNECTING

CLOSED OF AREA, SURROUNDED BY WATER



Closed of area



CONNECTING

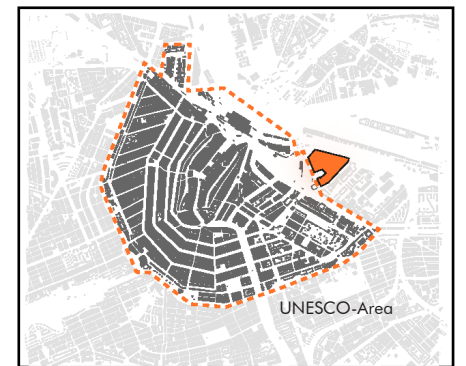
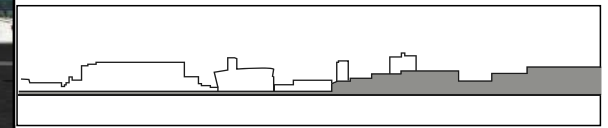
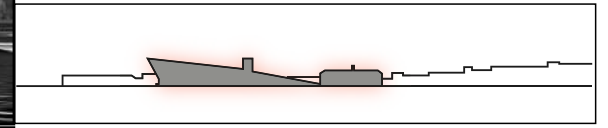
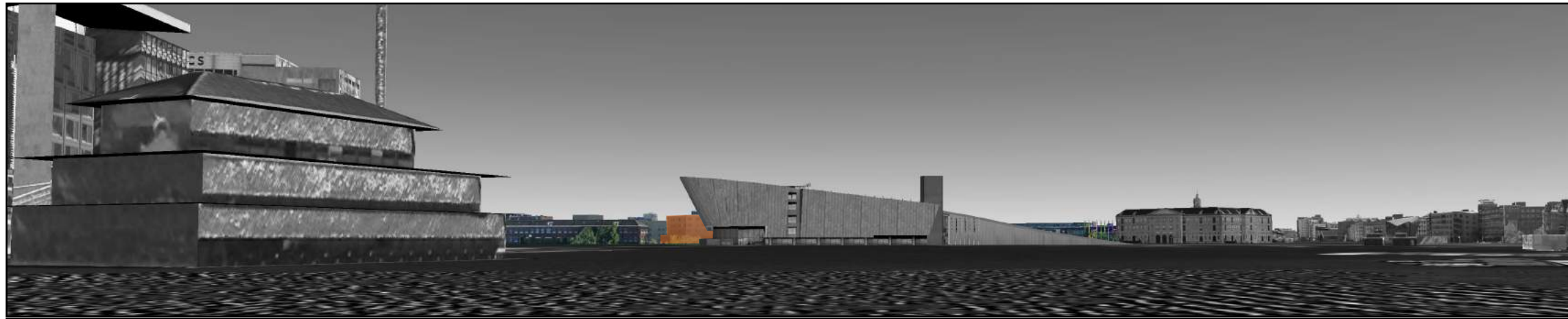
RELATION WATER



No direct connection with the water



ACTIVATING SURROUNDINGS

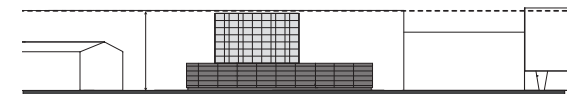


ACTIVATING

INTROVERT

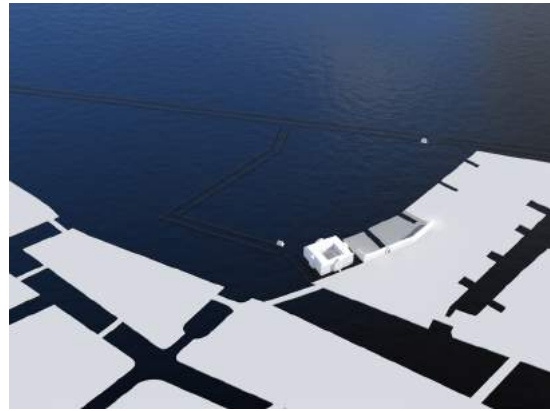


Introvert: Same height with the surrounding buildings

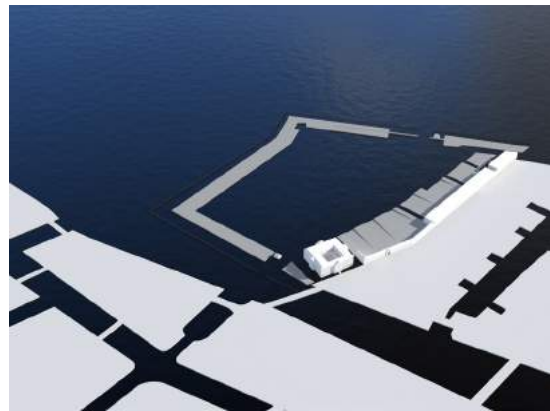


INNOVATING

FUNCTIONAL DEVELOPMENT



1655



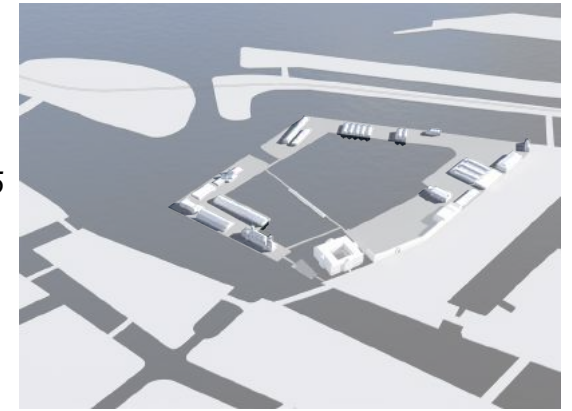
1790



1868



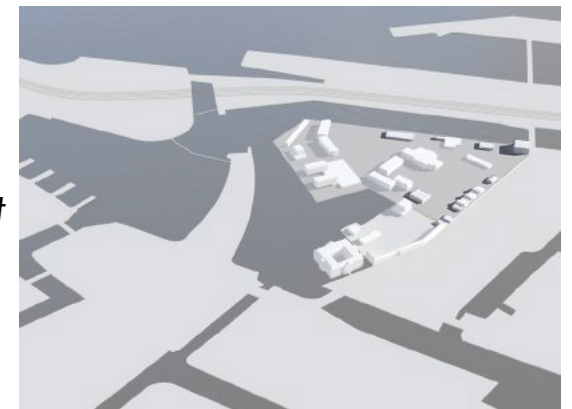
From shipyard and dock towards reclamation of the dock and construction of the IJtunnel



1915



1968



Current

INNOVATING

FUNCTIONAL DEVELOPMENT



1655



1790

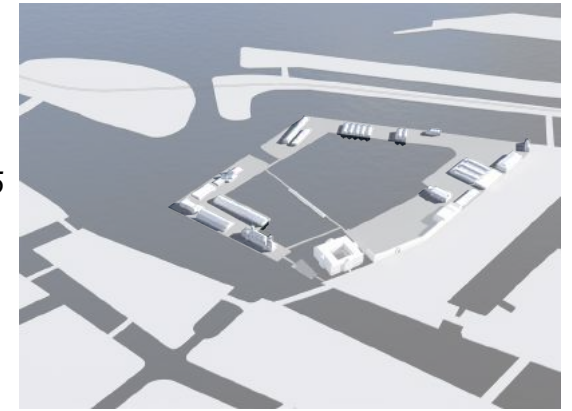


1868



From shipyard and dock towards reclamation of the dock and construction of the IJtunnel

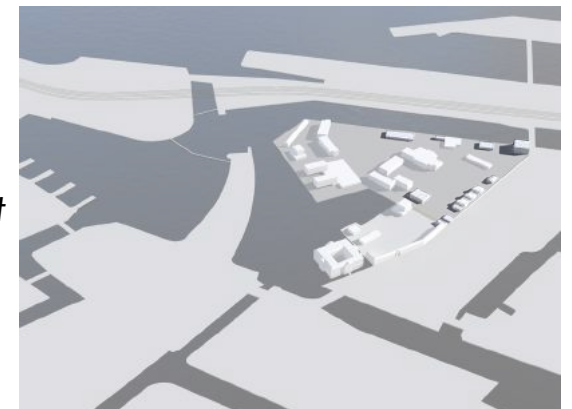
1915



1968



Current



INNOVATING

FUNCTIONAL DEVELOPMENT



1655



1790



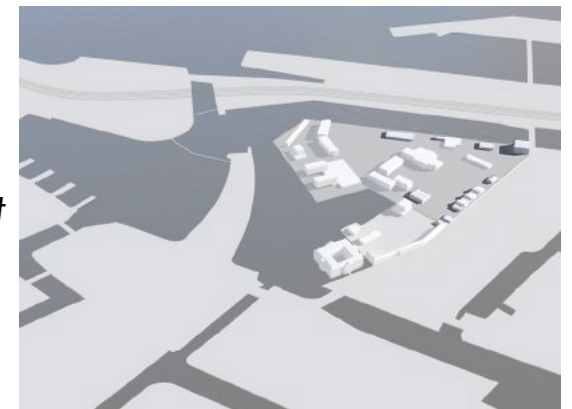
1868



1915



1968



Current

From shipyard and dock towards reclamation of the dock and construction of the IJtunnel

INNOVATING

FUNCTIONAL DEVELOPMENT



1655



1790



1868



From shipyard and dock towards reclamation of the dock and construction of the IJtunnel

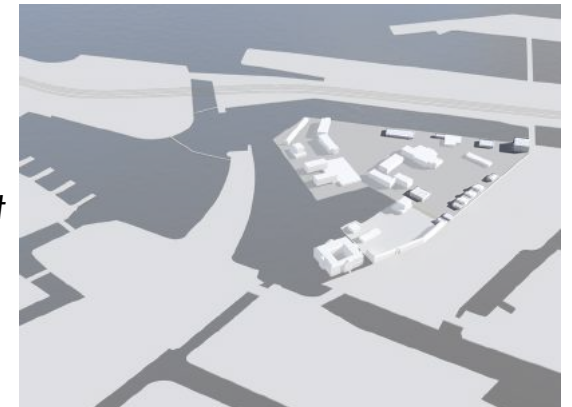
1915



1968



Current



INNOVATING

FUNCTIONAL DEVELOPMENT



1655



1790



1868



From shipyard and dock towards reclamation of the dock and construction of the IJtunnel

1915



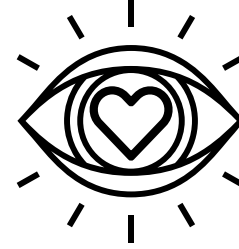
1968



Current

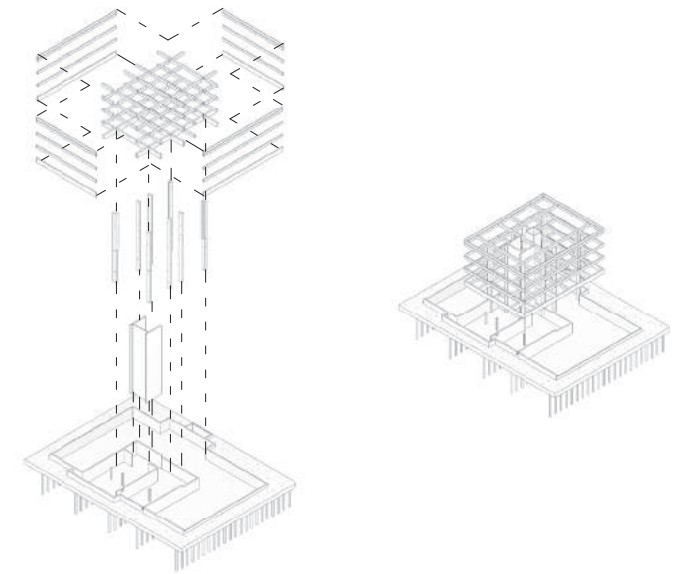
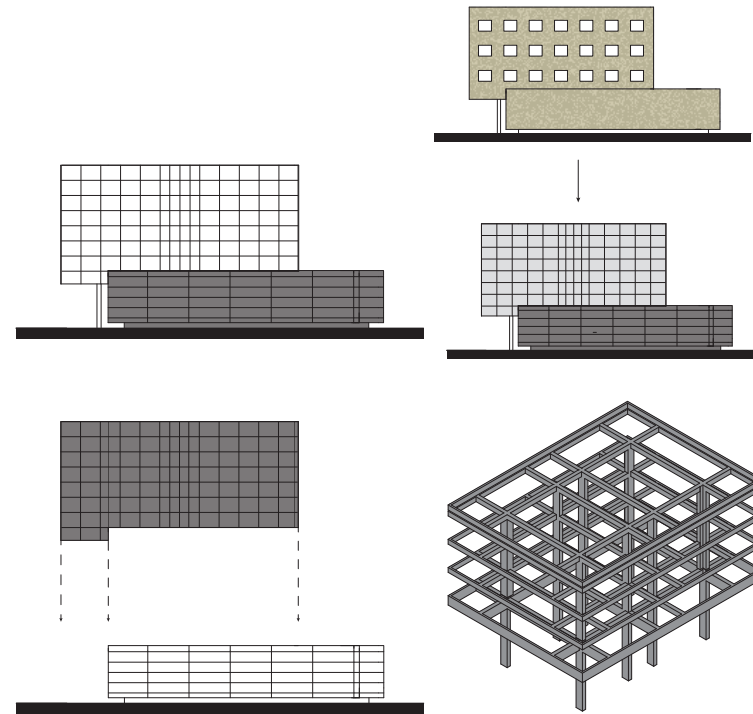


INNOVATING ECONOMICAL POTENTIAL



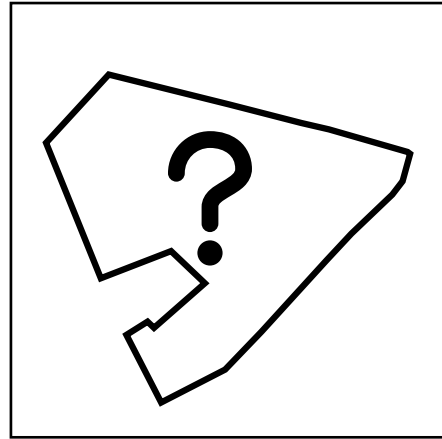
Place with economical potential
Existing stock can be used for redevelopment

REDEVELOPING

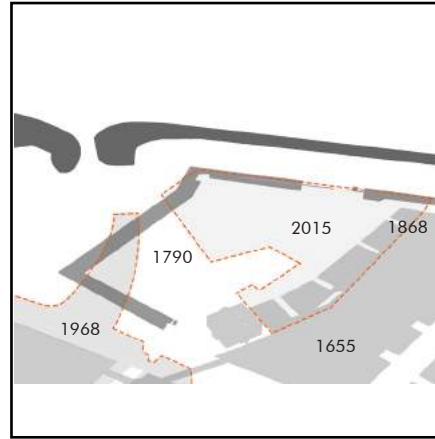


Architect: F.C. de Weger 1966-1968

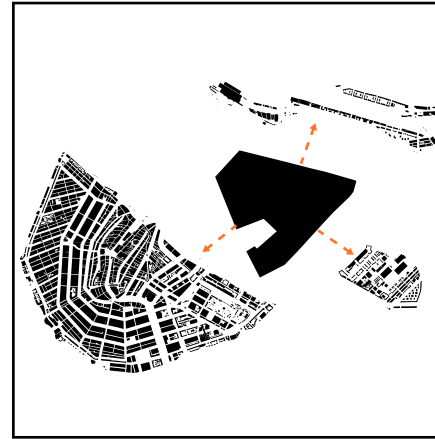
SUMMARY ANALYSIS



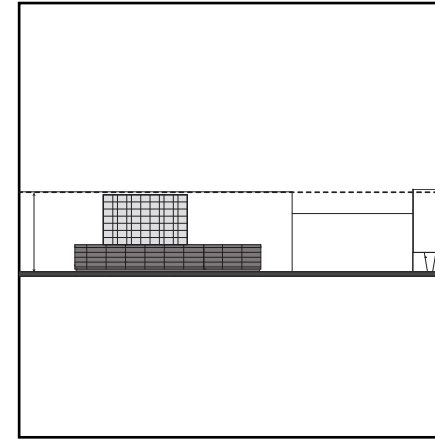
UNKNOWN AREA



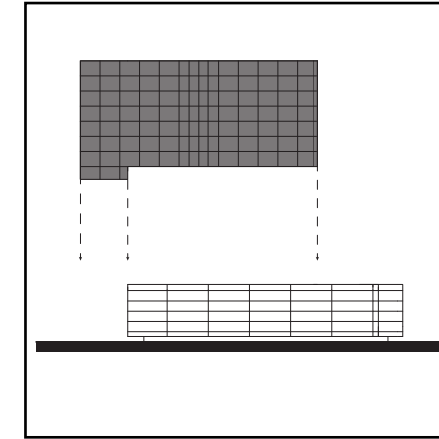
FUNCTIONALLY GROWN



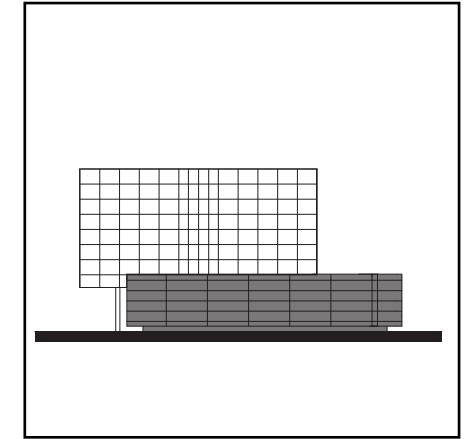
CENTRALLY LOCATED



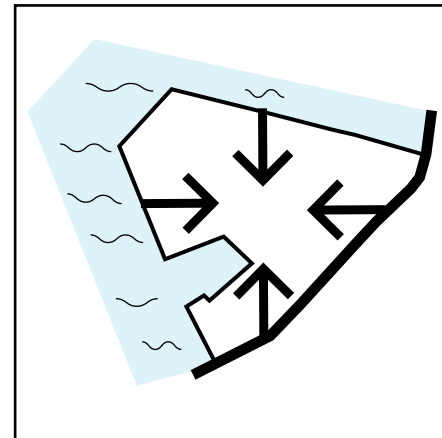
SAME HEIGHT WITH
THEIR SURROUNDINGS



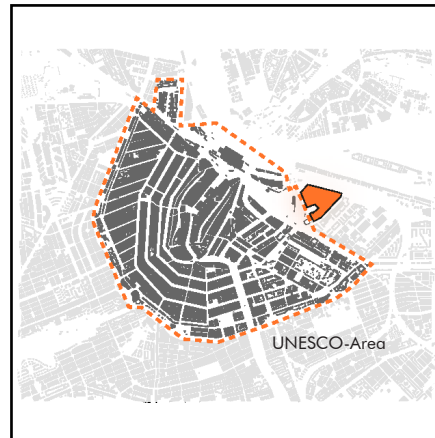
TOWER SHAPED AND
OVERHANGING VOLUME



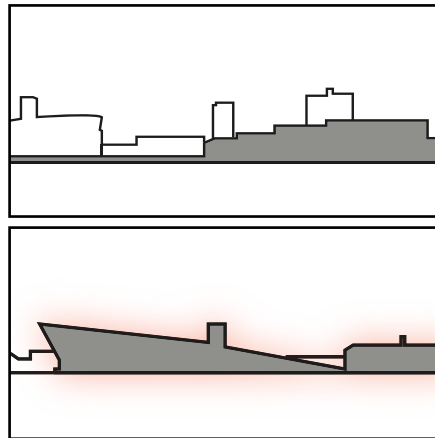
LARGE HORIZONTAL
BASE



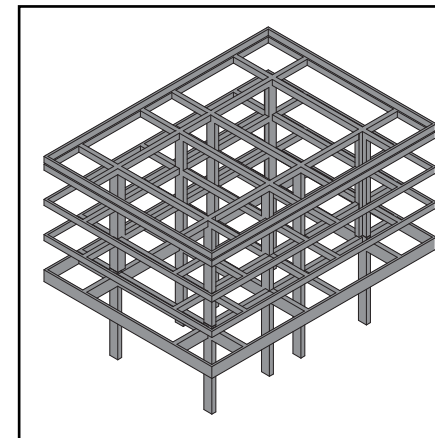
CLOSED OF AREA



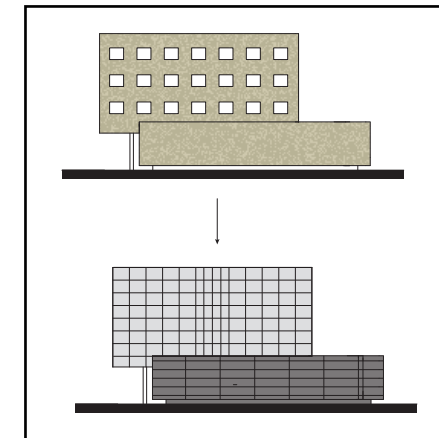
HER



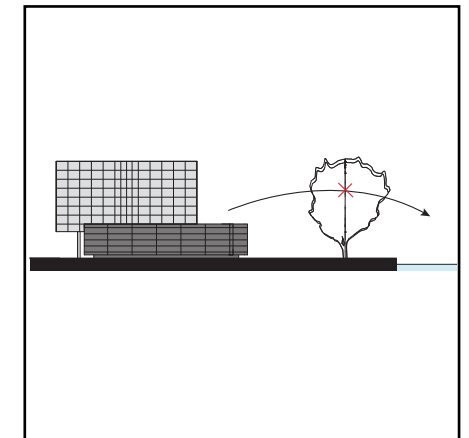
CONTRADICTIONS LOW-
HIGH RISE



STRONG MONOLITHIC
CONCRETE STRUCTURE



RENOVATING WHEN
NECESSARY



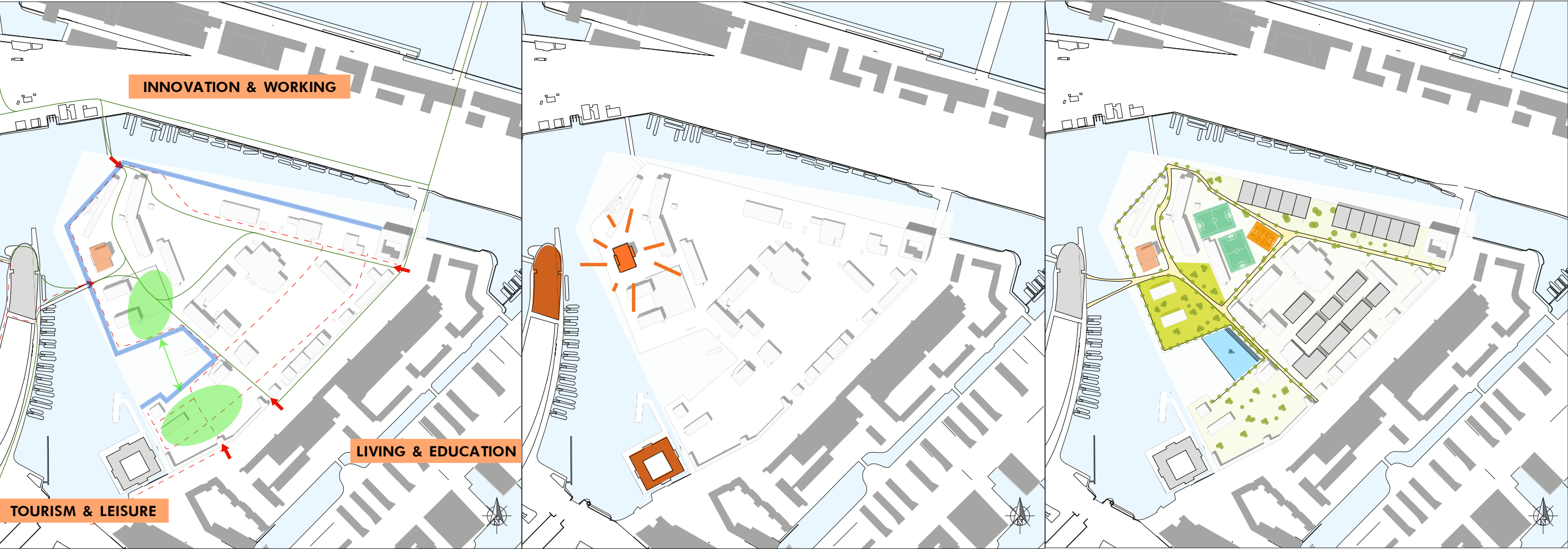
NO DIRECT CONNECTION
WITH THE WATER

VISION

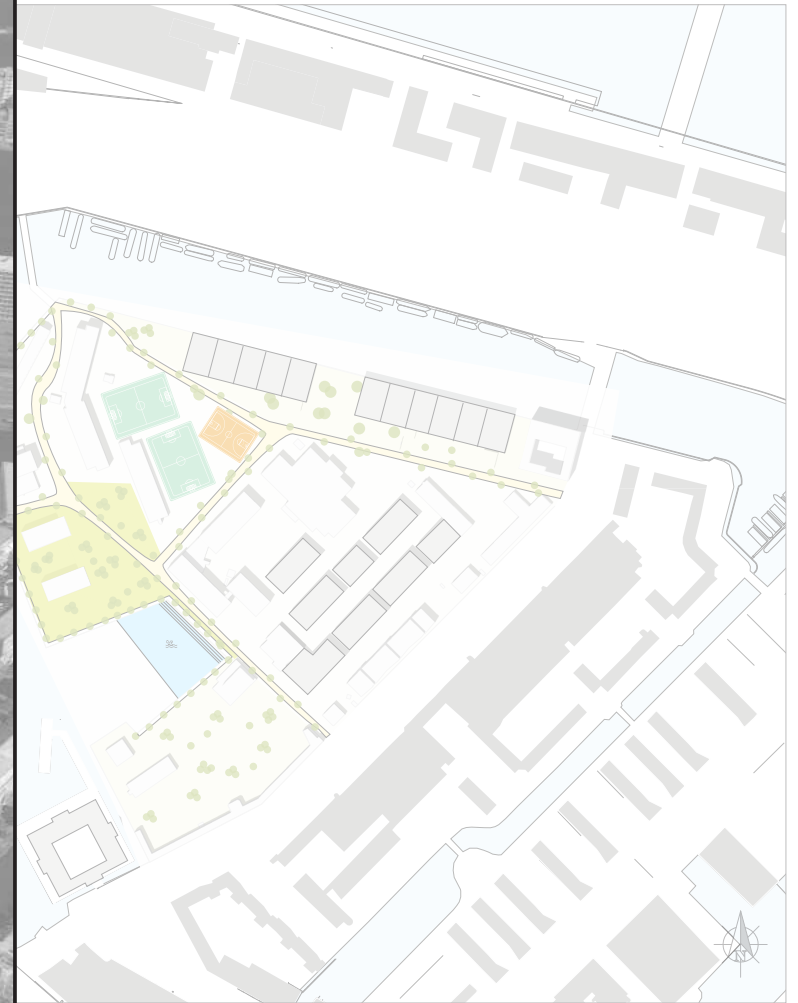
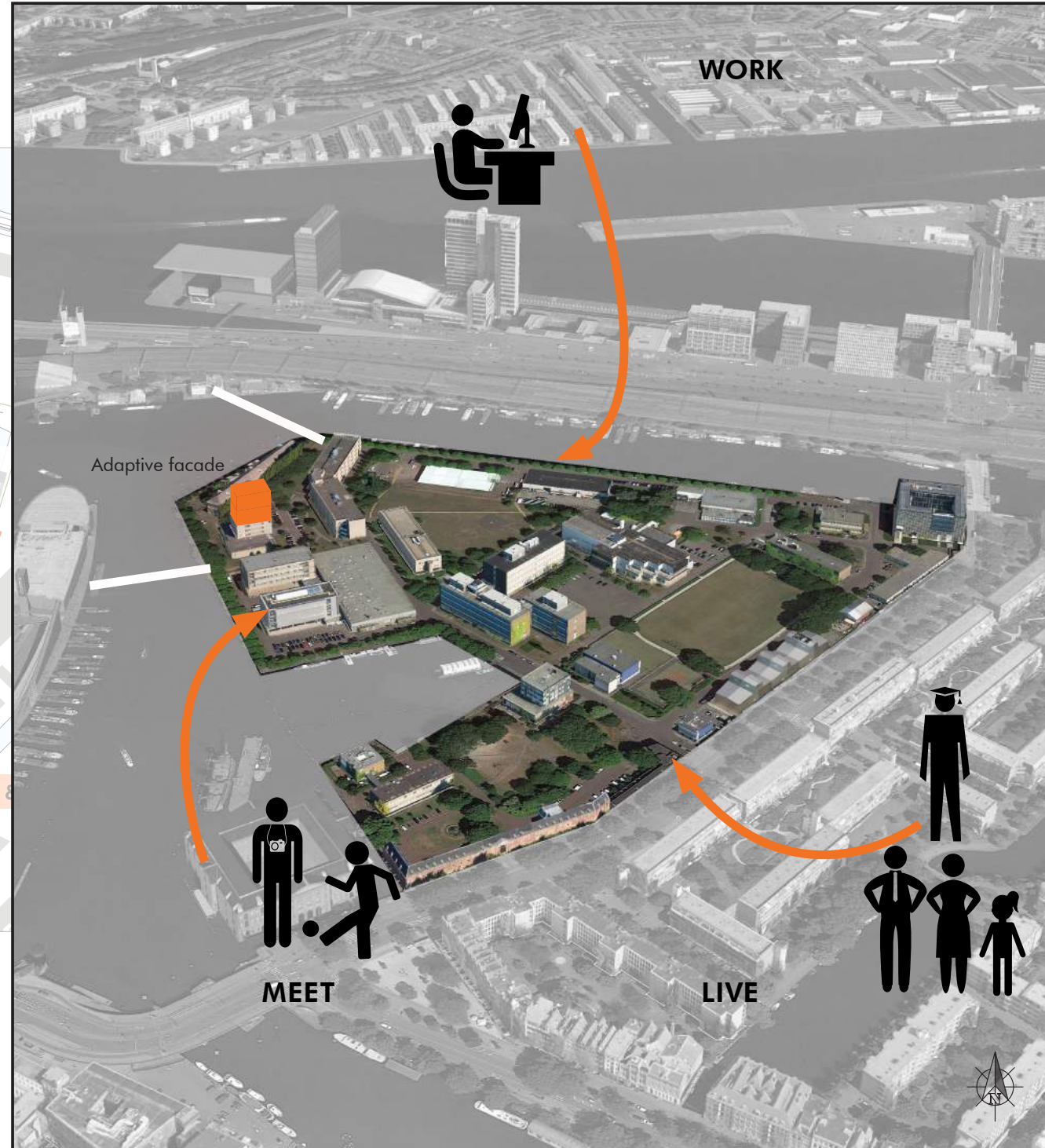
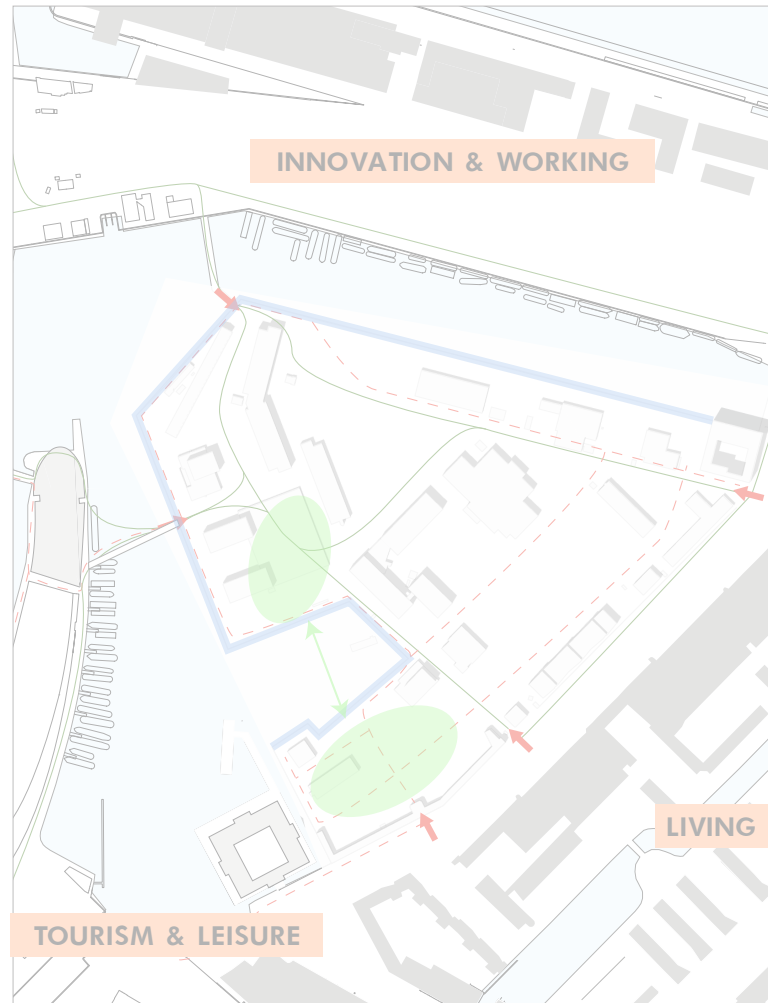
CONNECTING

ACTIVATING

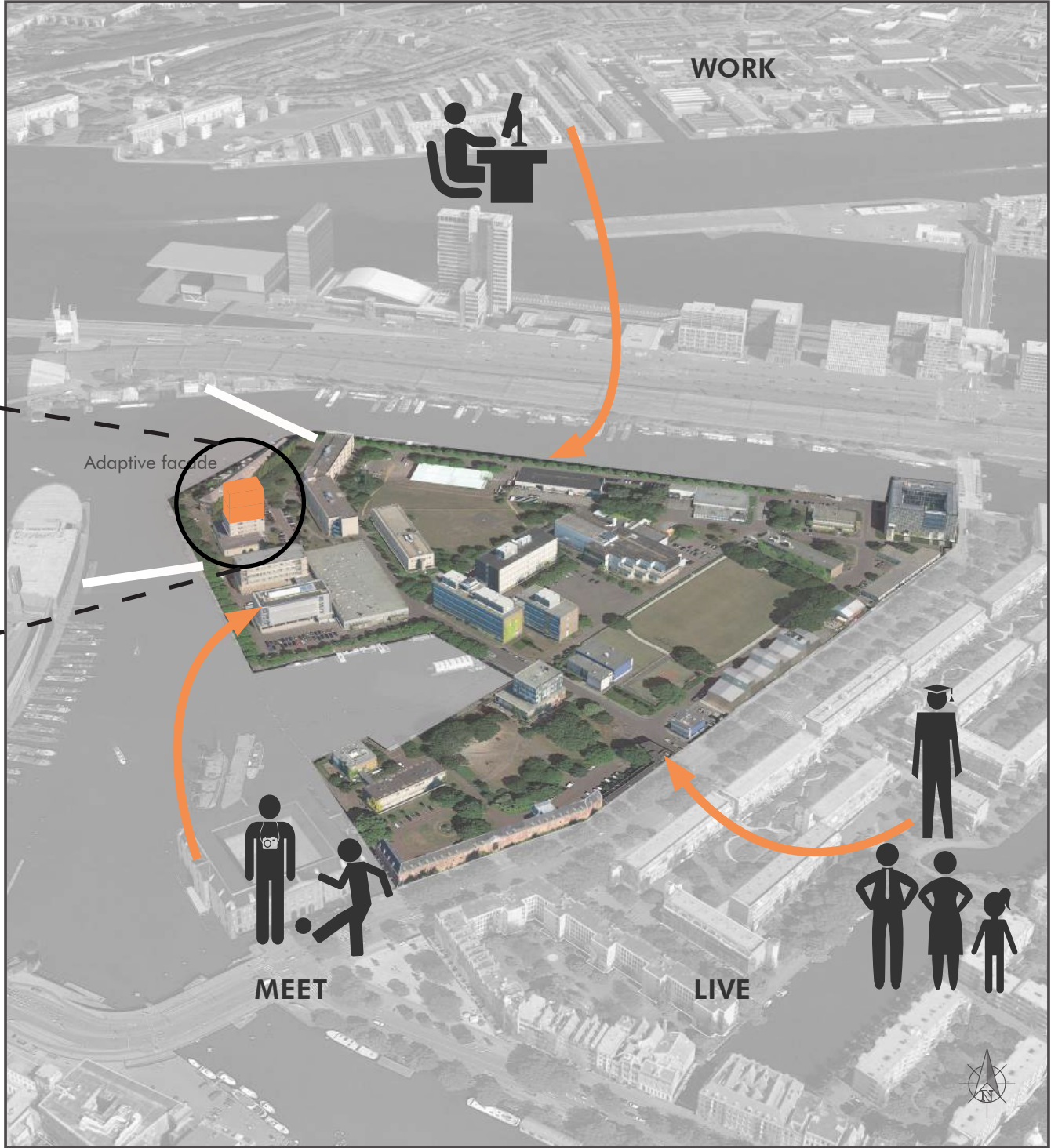
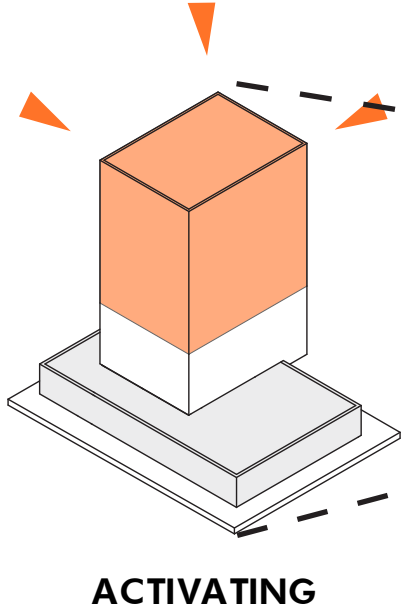
REDEVELOPING



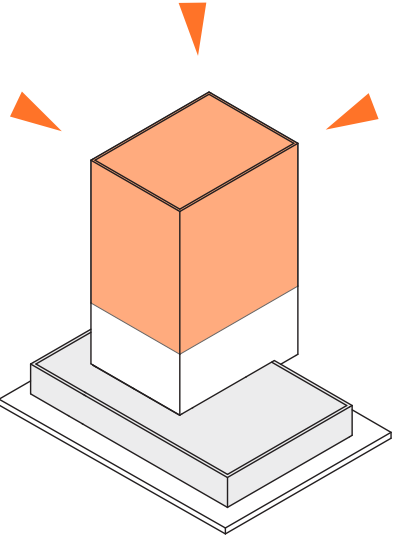
VISION



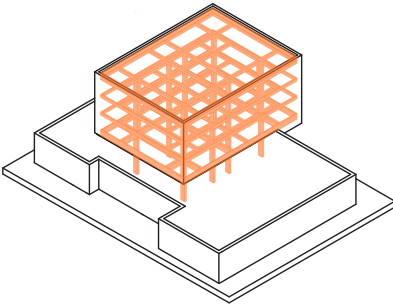
VISION



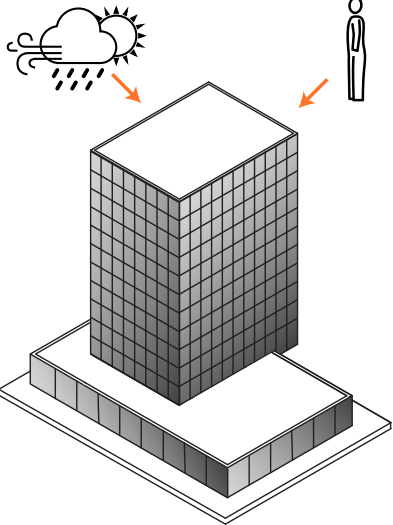
VISION



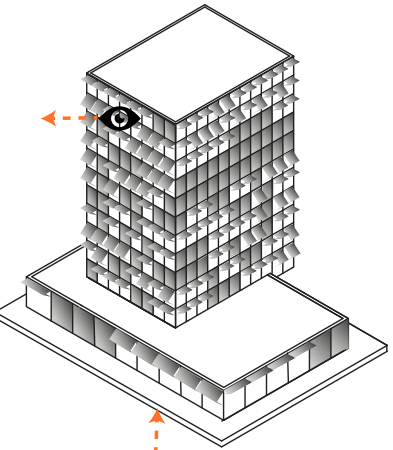
ACTIVATING



REDEVELOPING



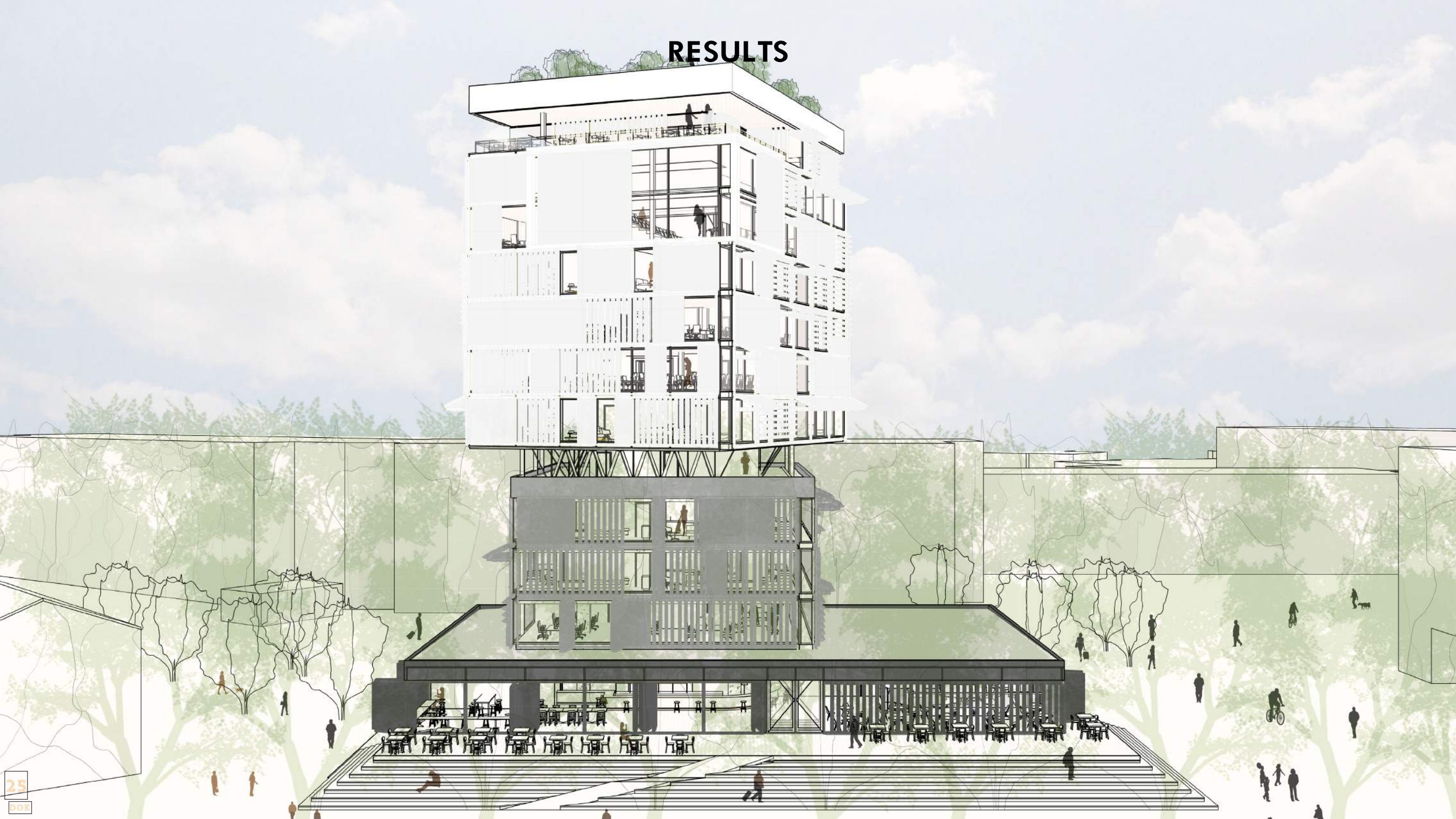
INNOVATING



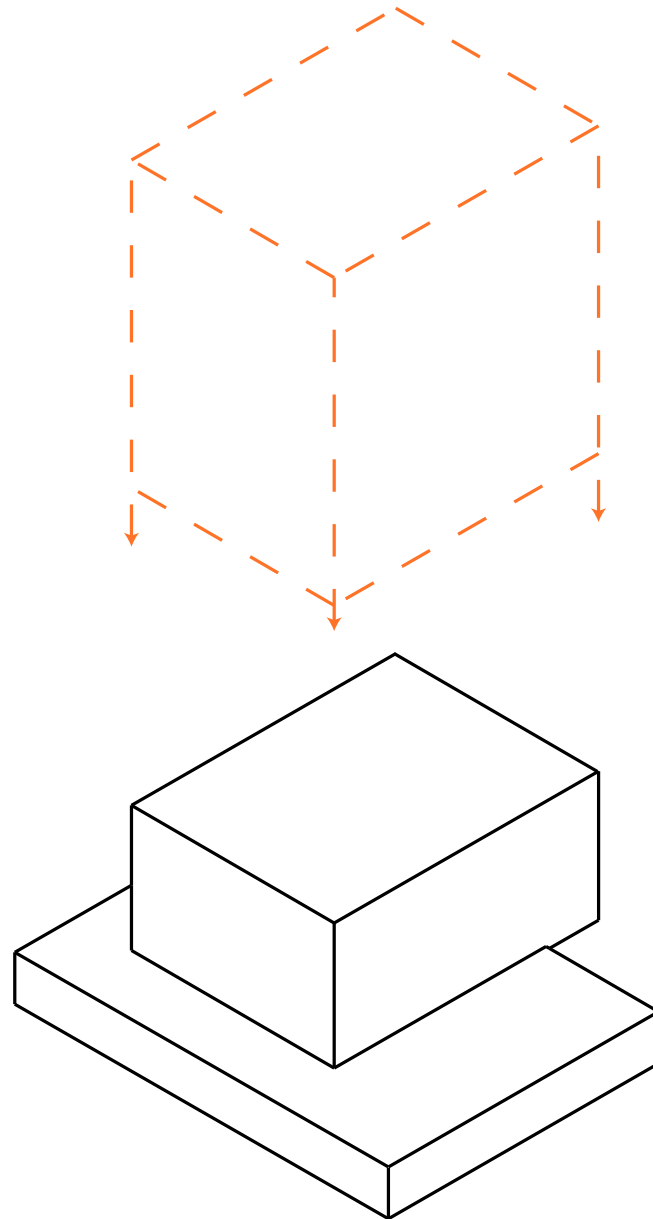
CONNECTING

DESIGN

RESULTS

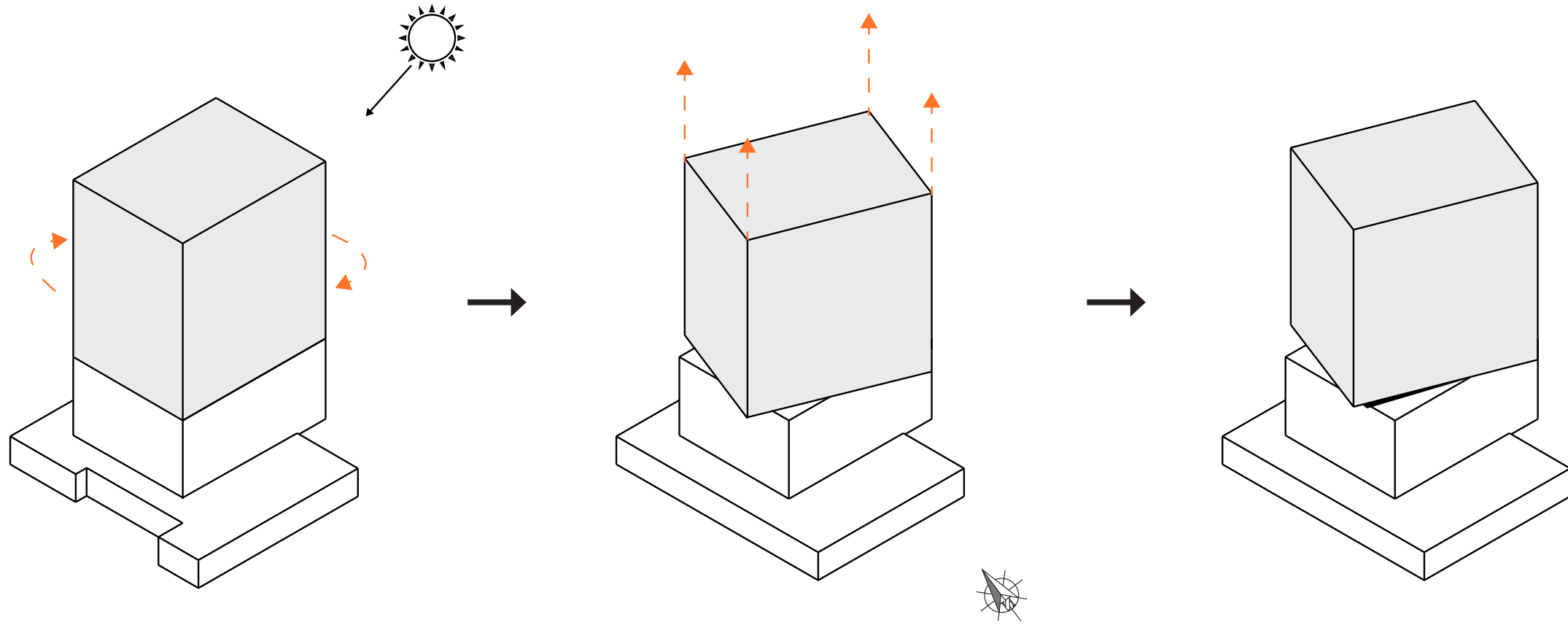


EXTENSION



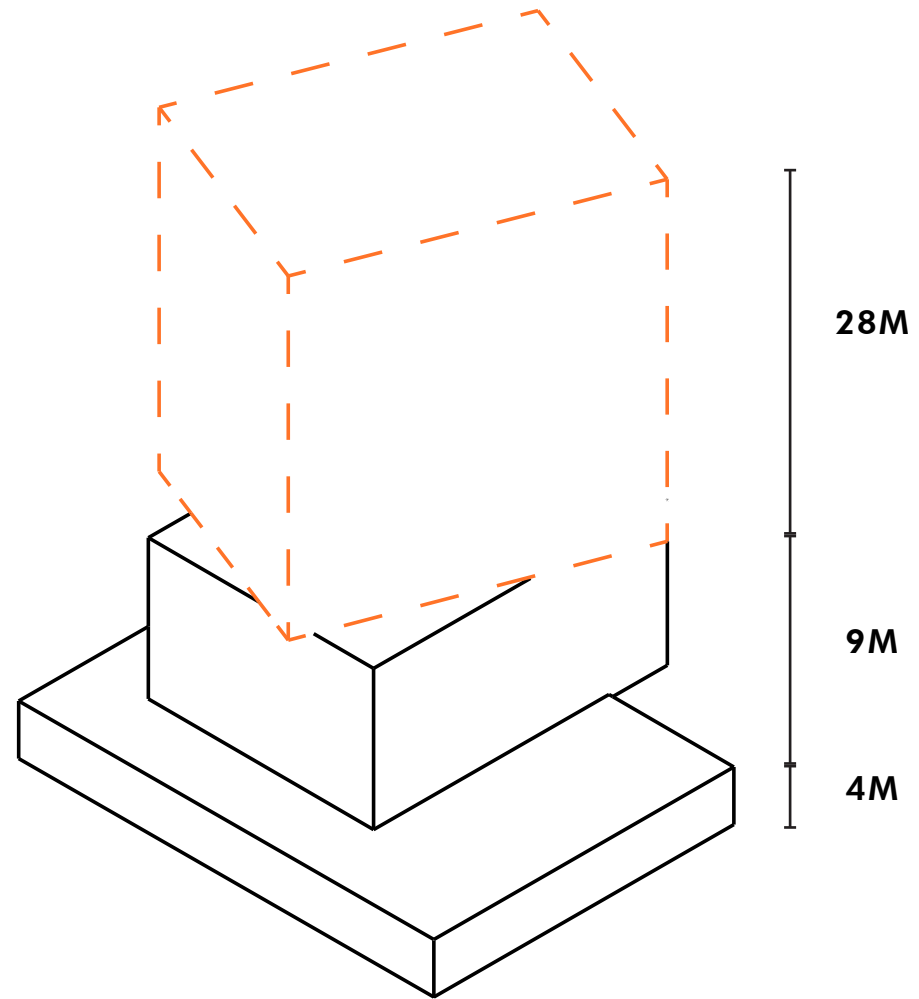
EXTENSION

FORM



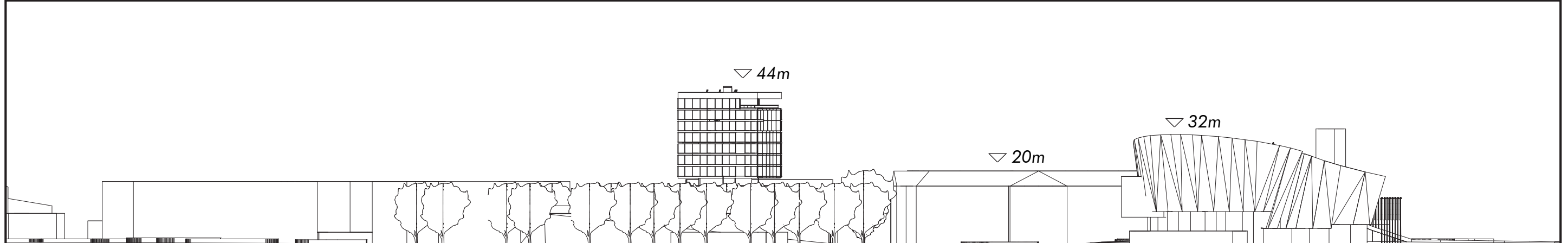
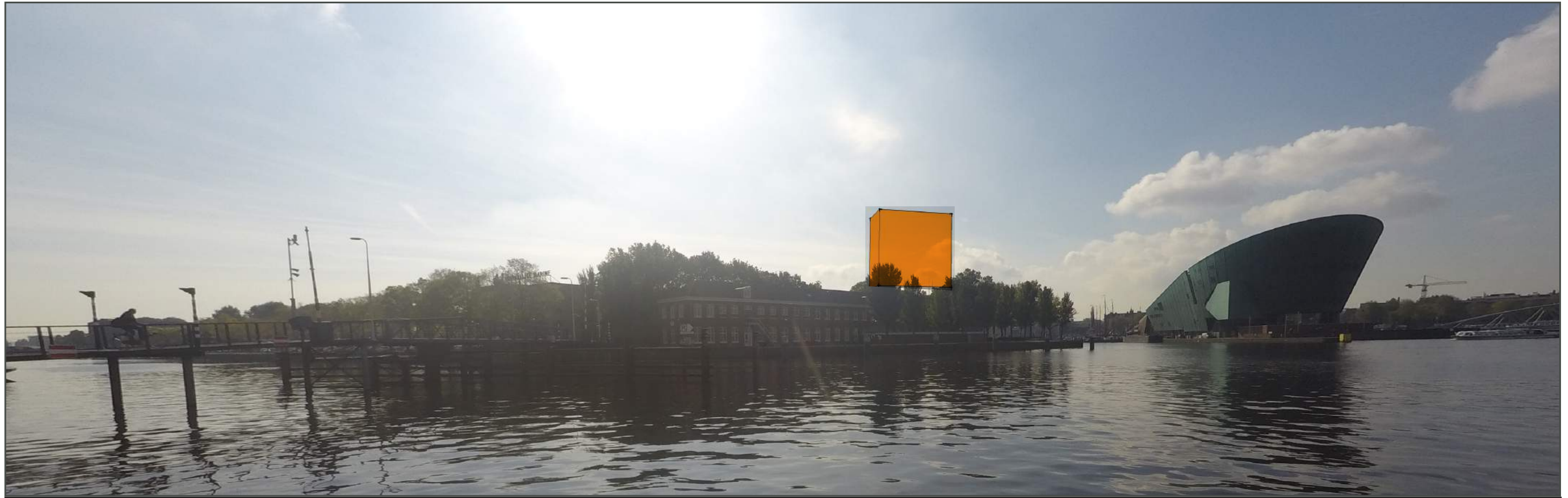
HEIGHT

EXTENSION



HEIGHT

SOUTH VIEW



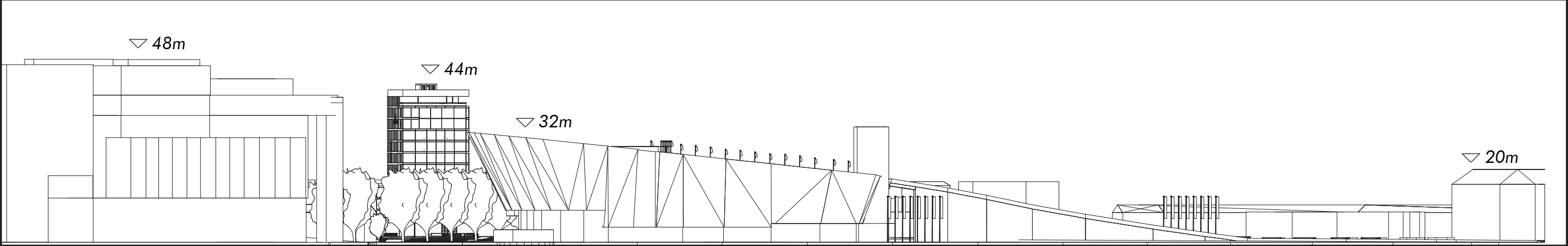
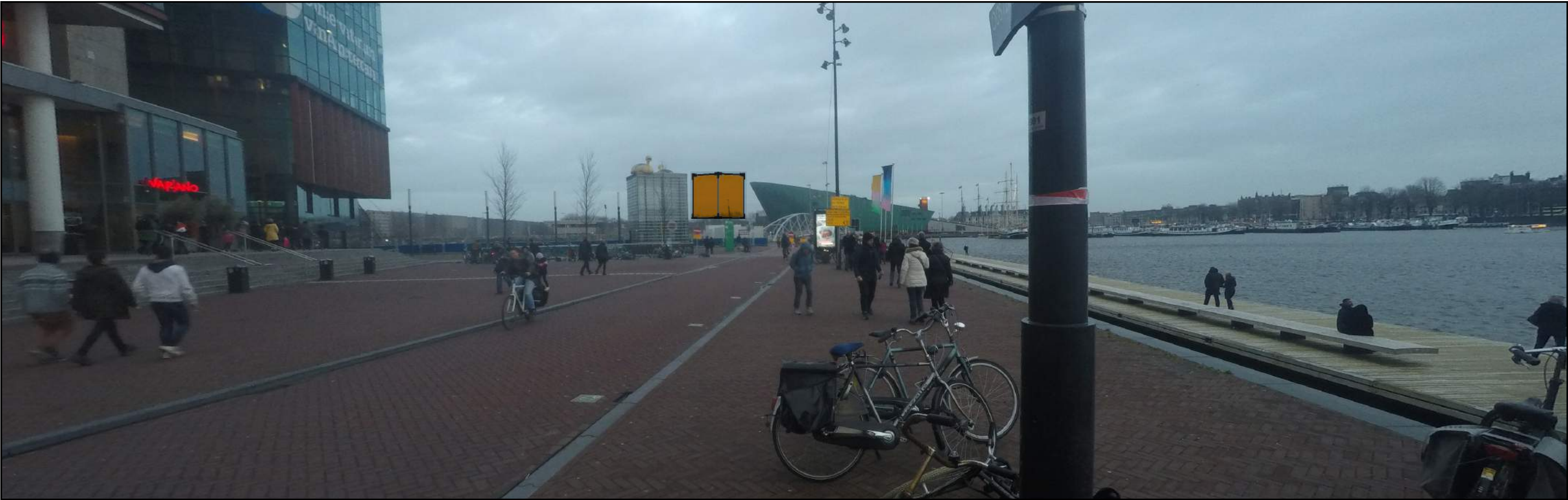
Dok 25

National maritime museum

Nemo Science Museum

HEIGHT

CITY EAST VIEW



OBA

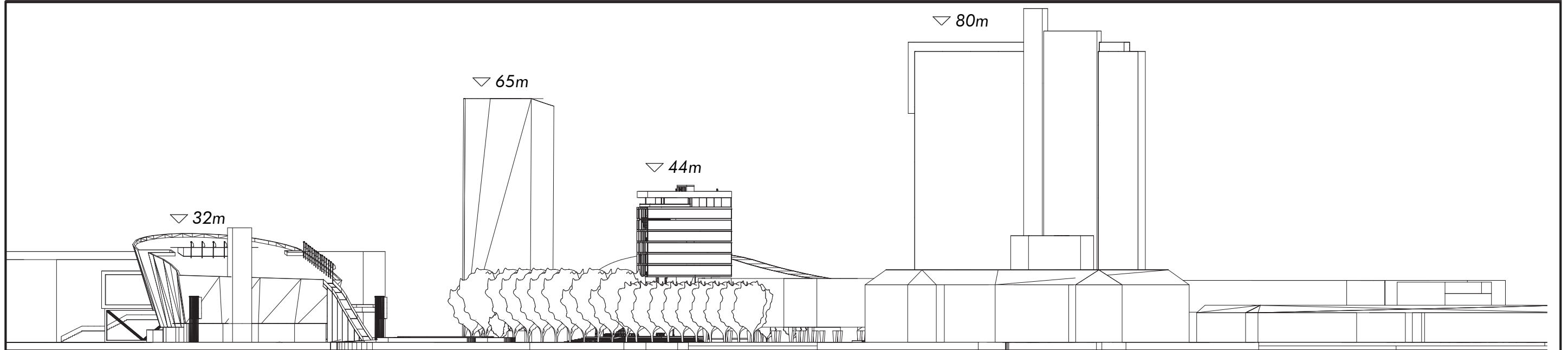
Dok 25

Nemo Science Museum

National maritime museum

HEIGHT

NORTH VIEW



Nemo Science Museum

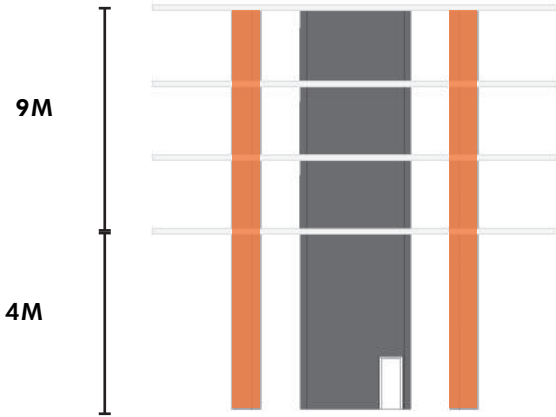
Movenpick

Dok 25

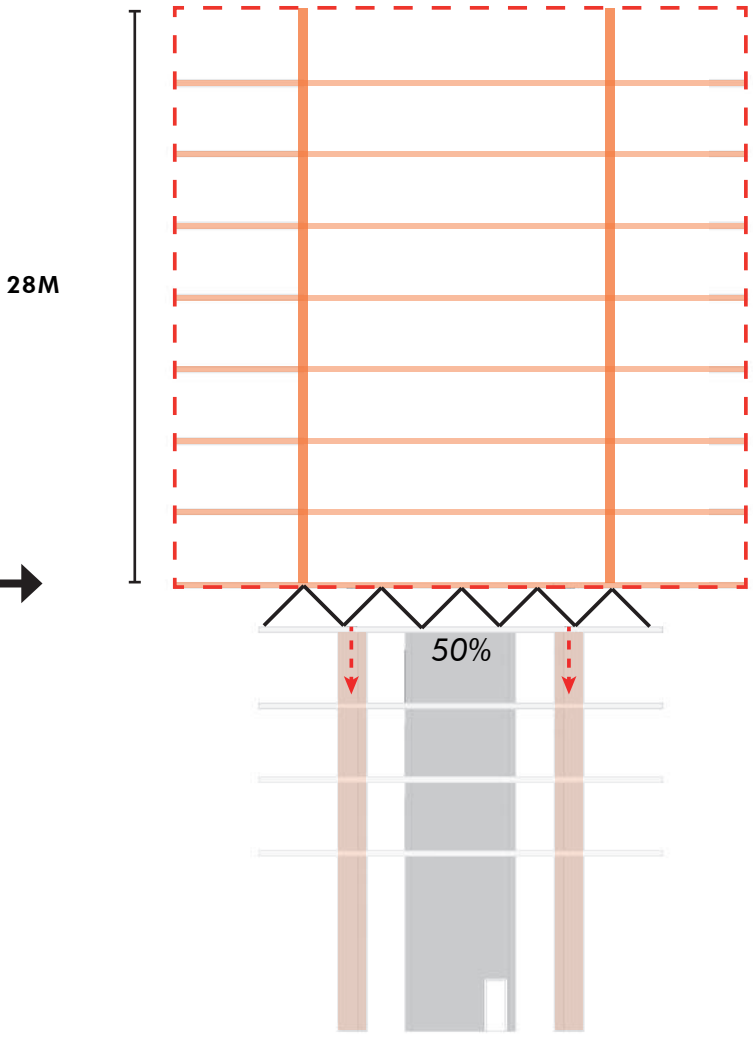
UP- office building

STRUCTURE

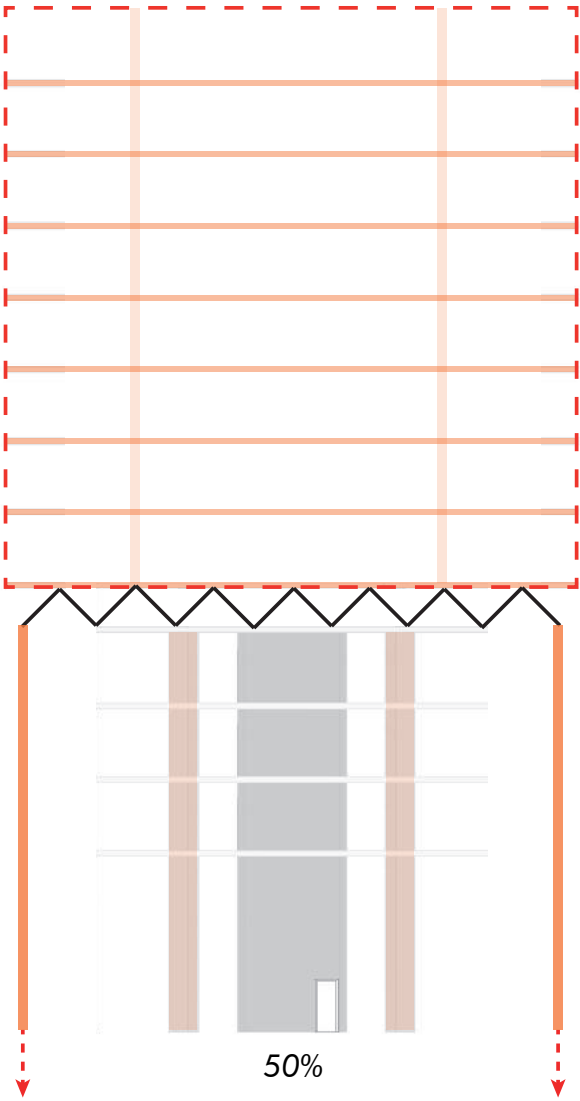
HYBRID



EXISTING



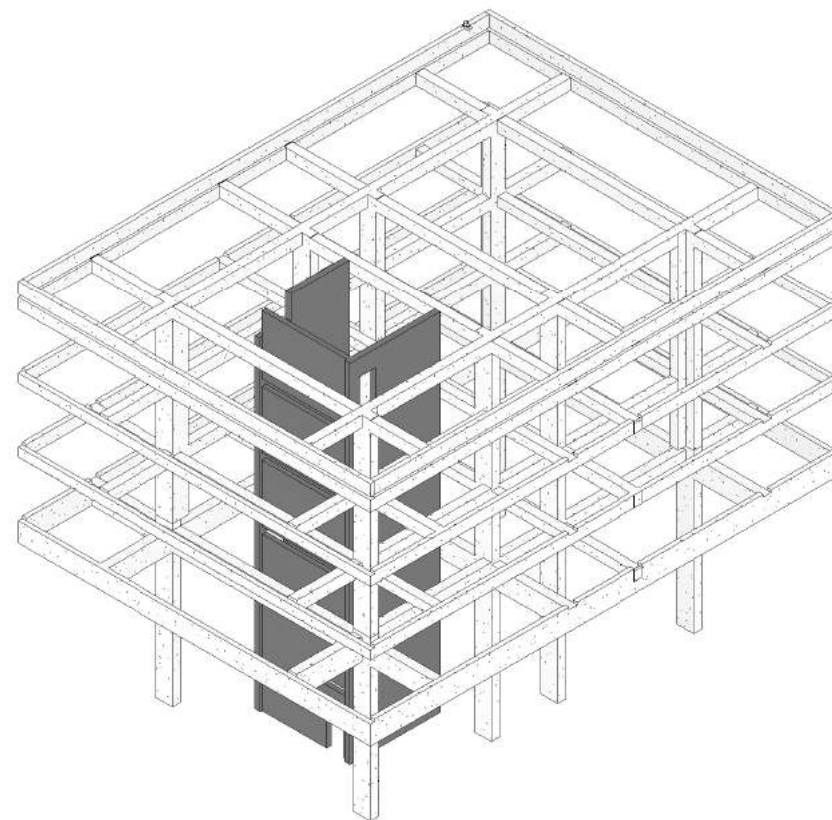
EMBRACE



ADDITION

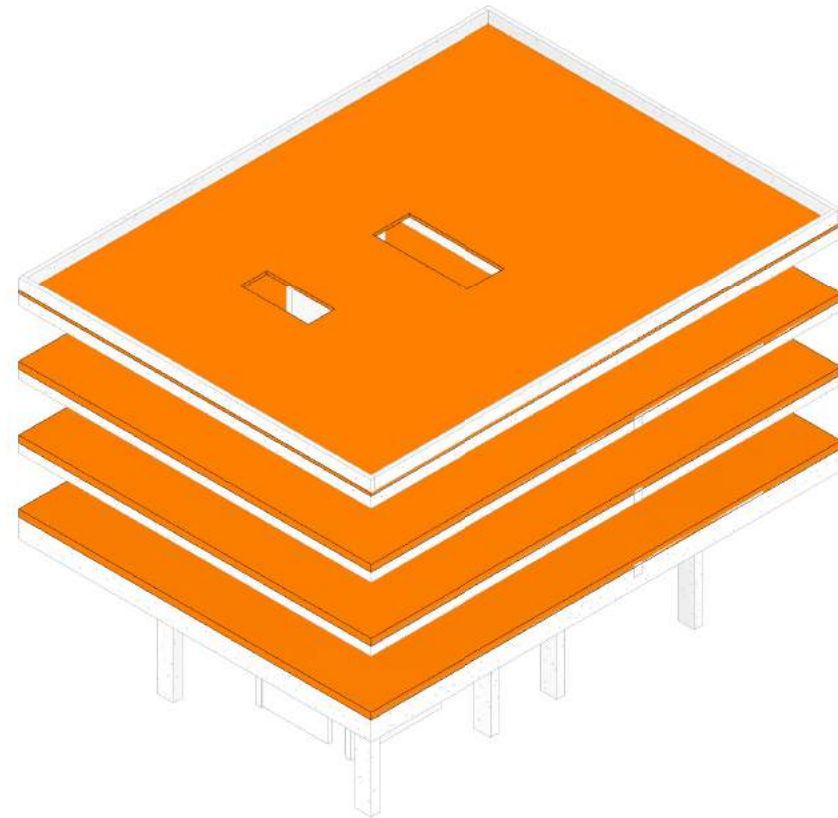
STRUCTURE

HYBRID



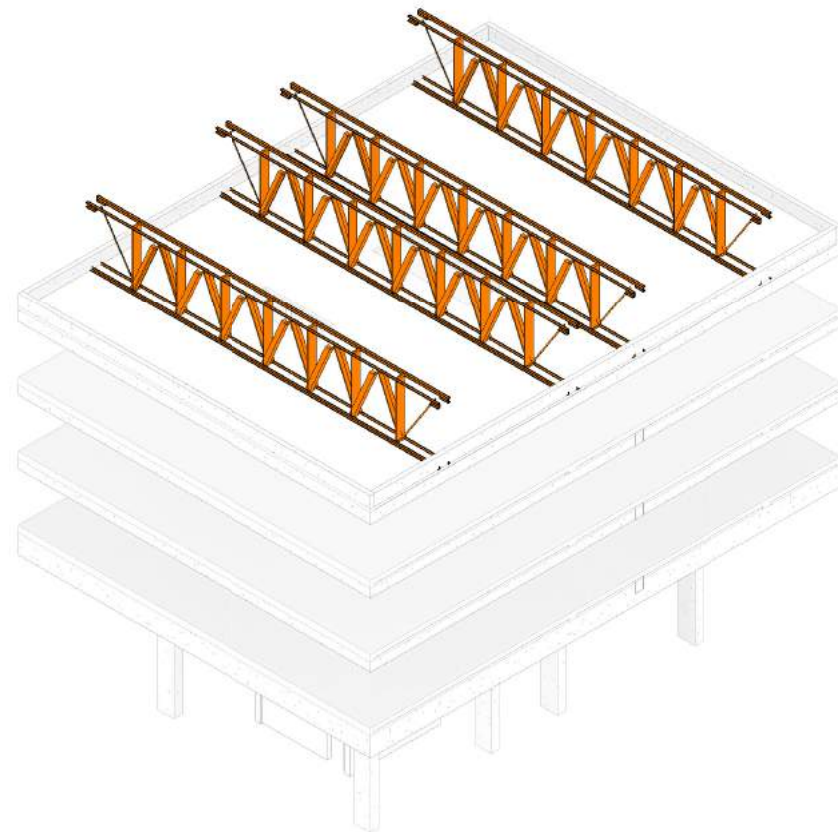
STRUCTURE

HYBRID



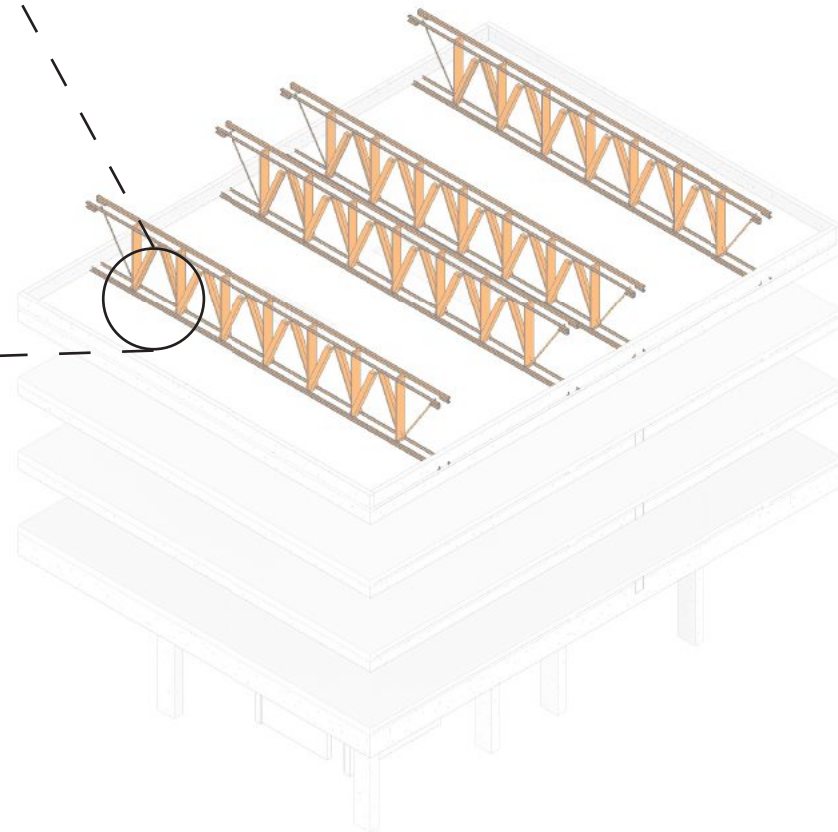
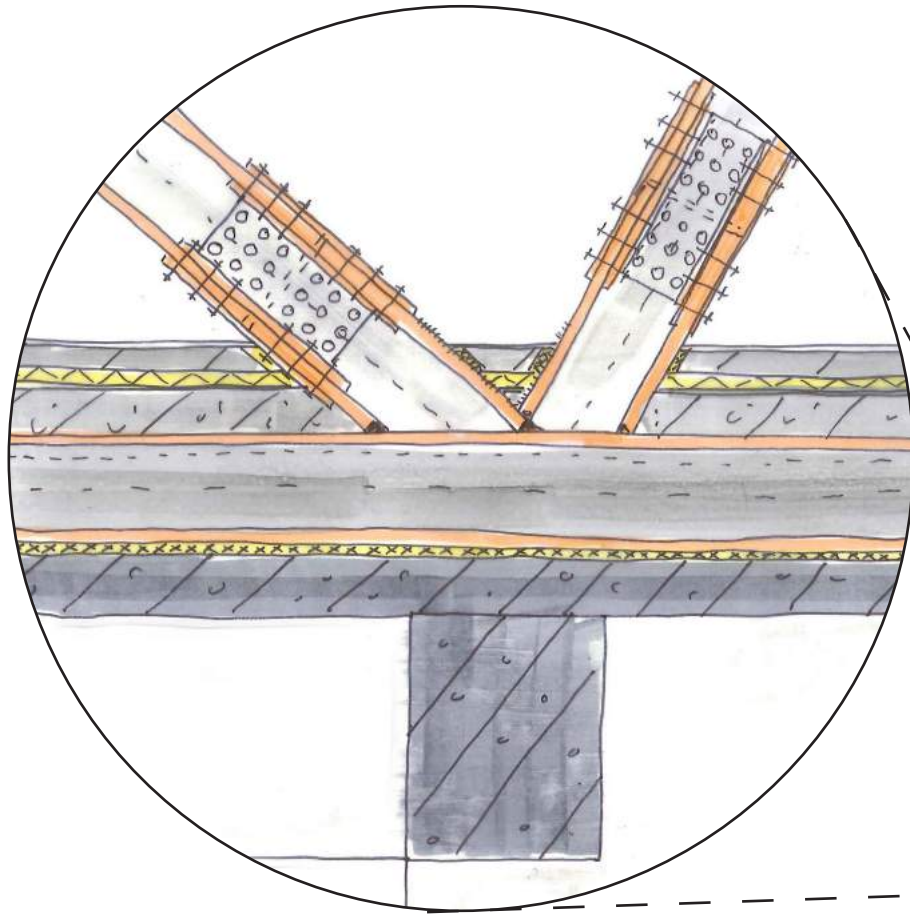
STRUCTURE

HYBRID



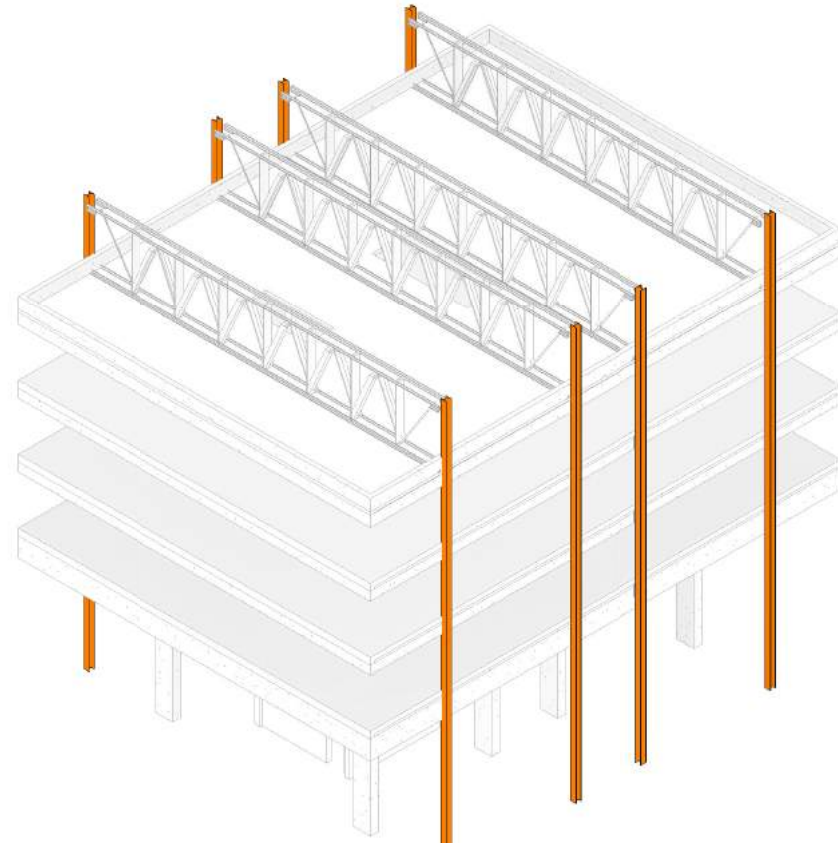
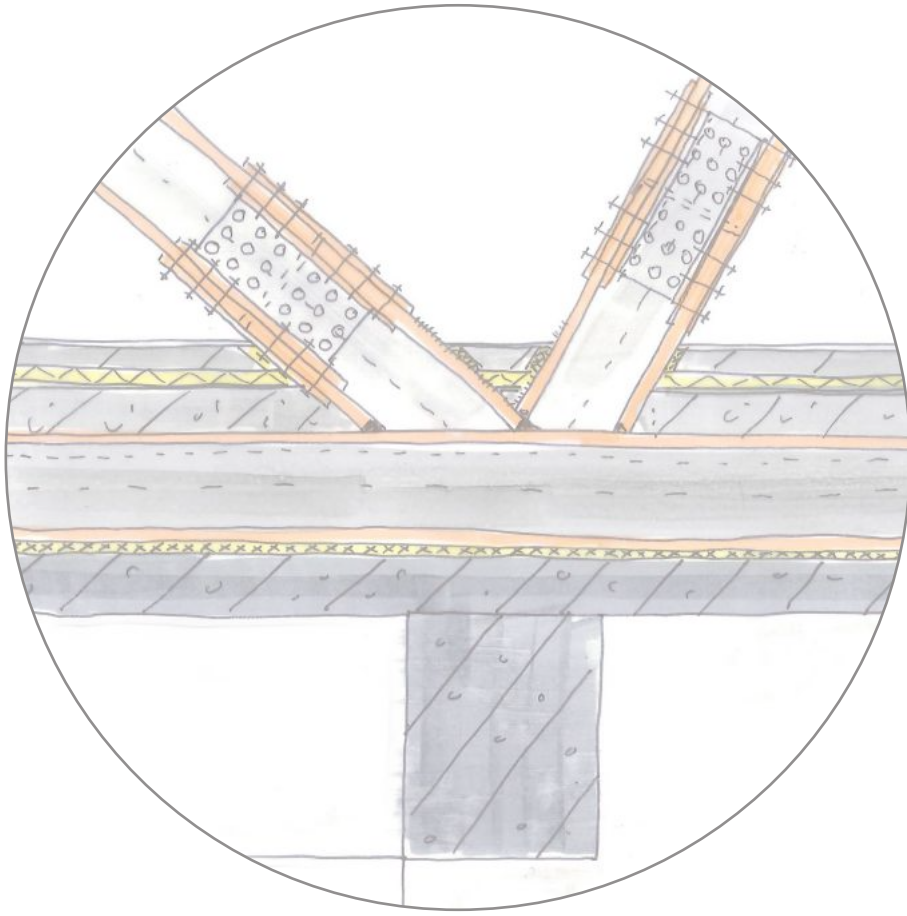
STRUCTURE

HYBRID



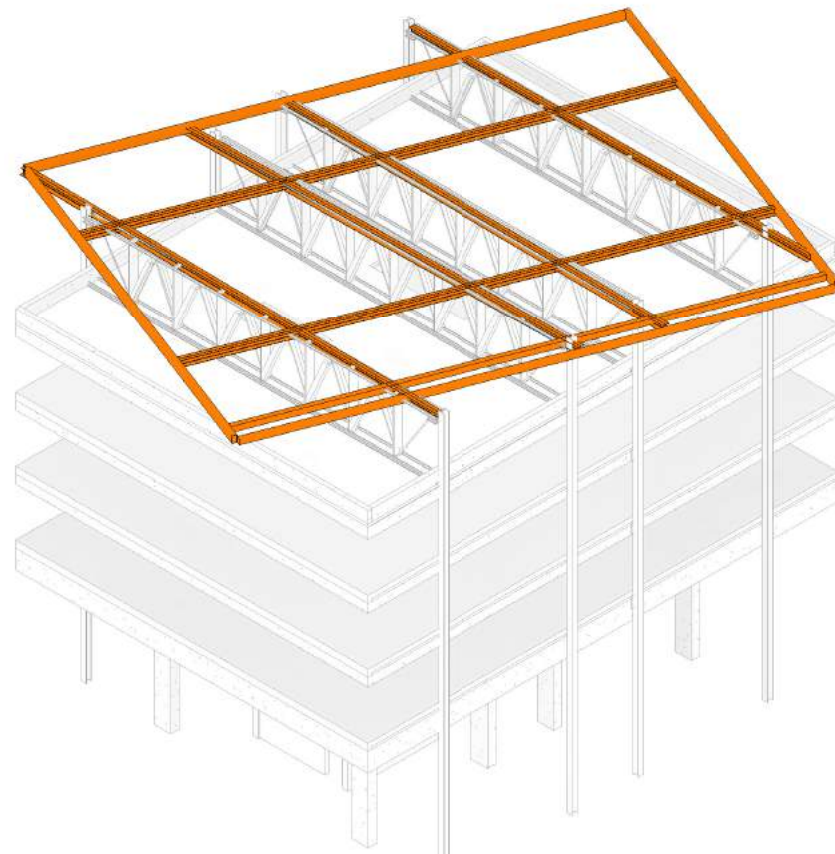
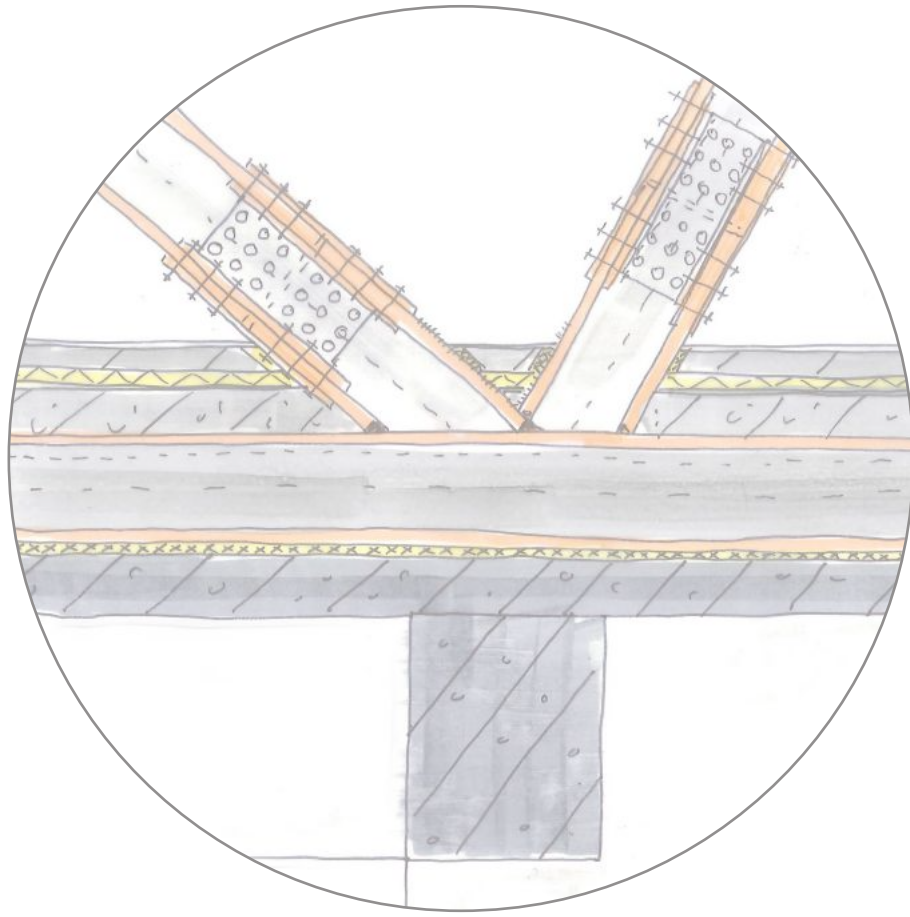
STRUCTURE

HYBRID



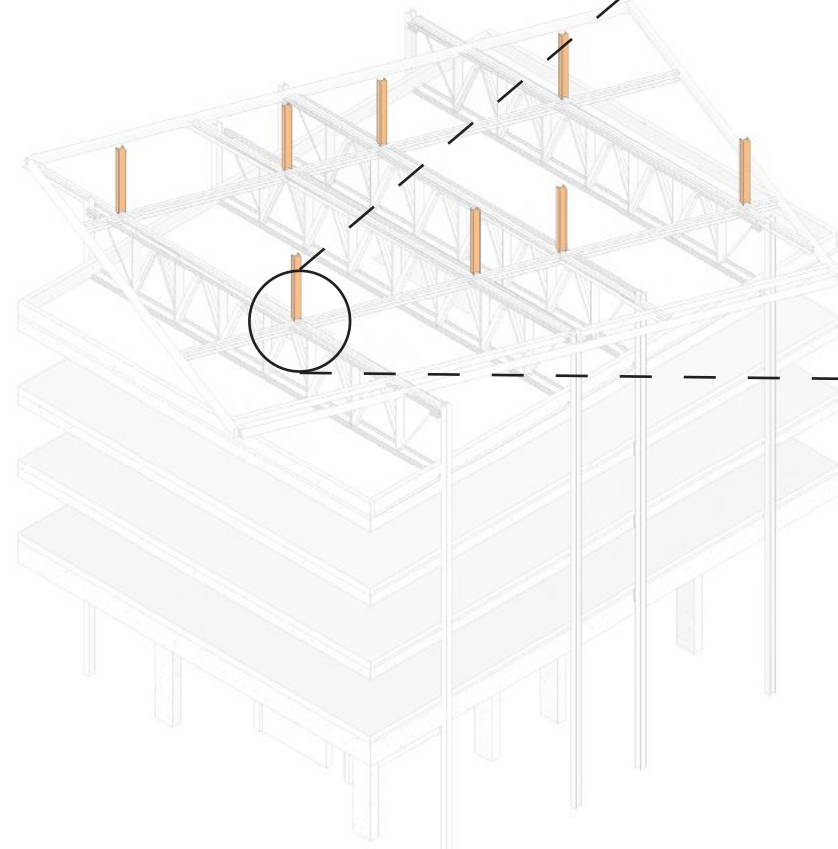
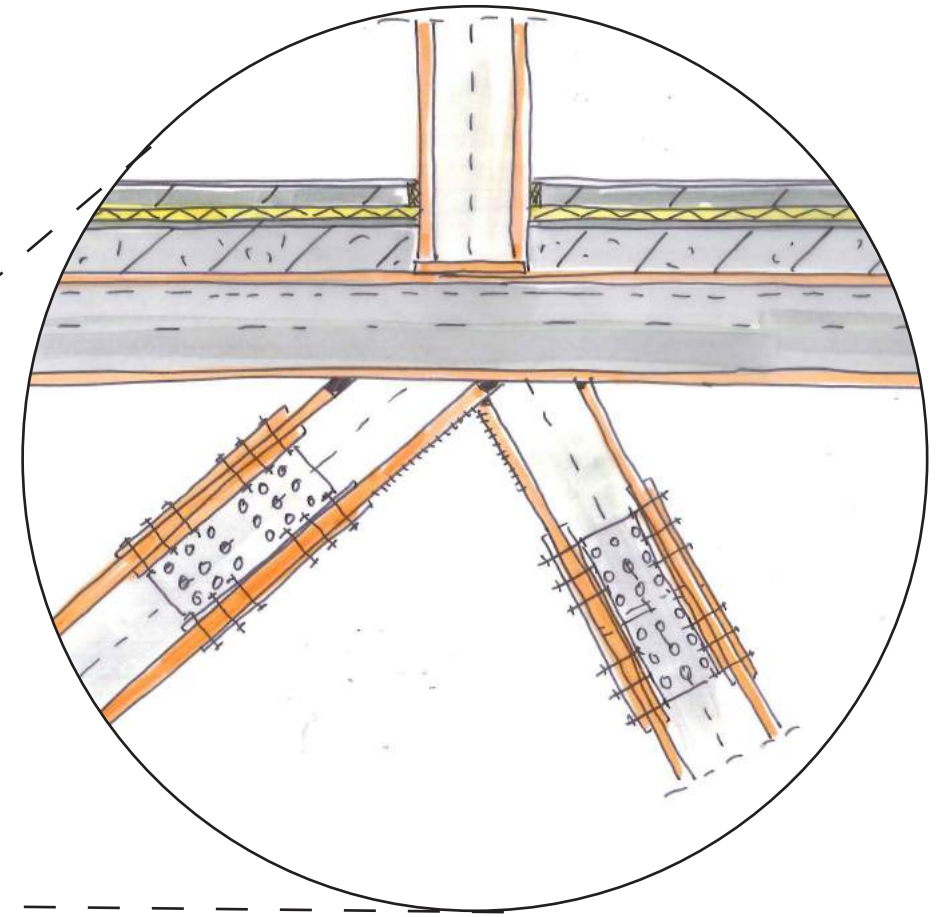
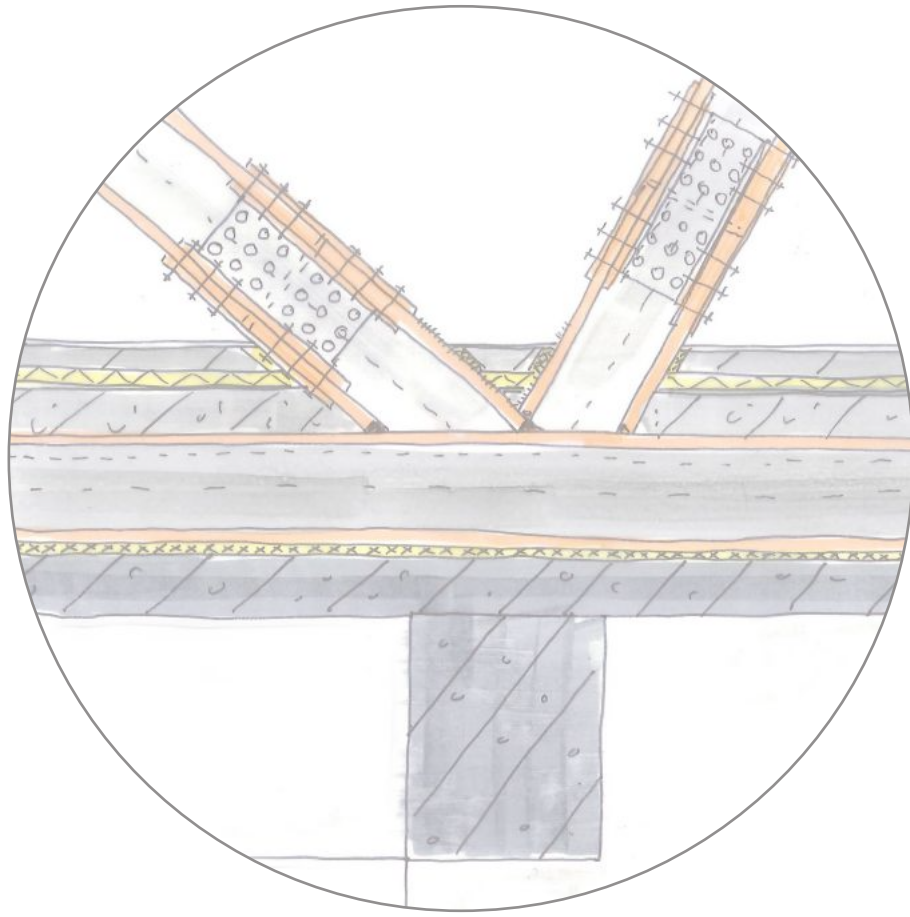
STRUCTURE

HYBRID



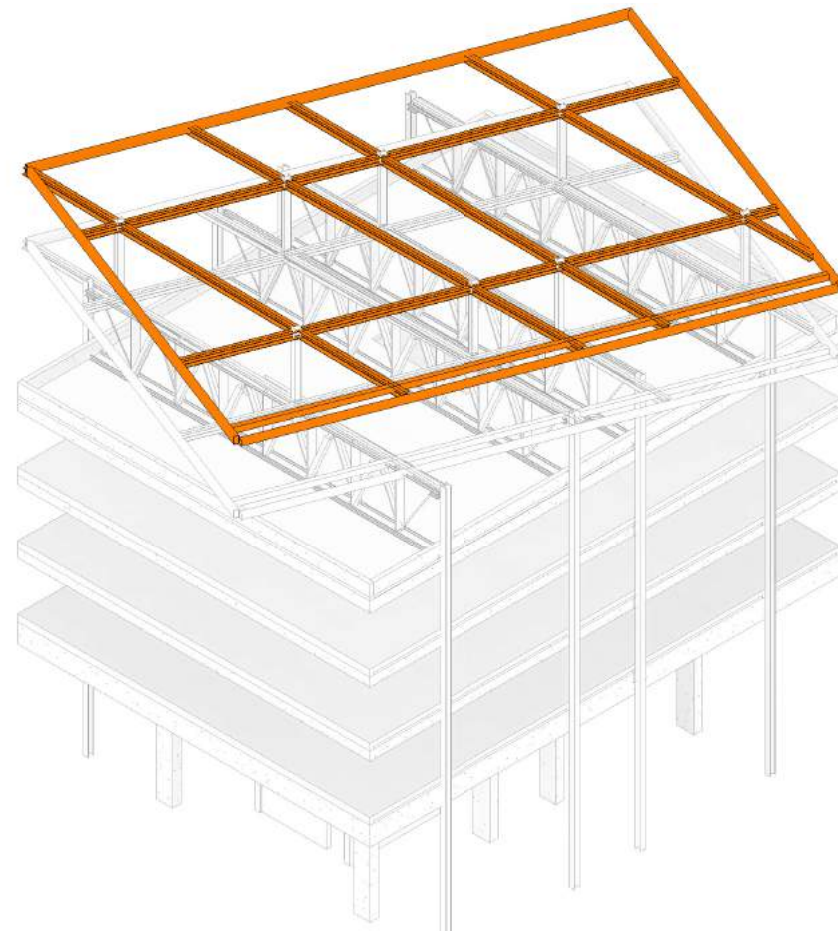
STRUCTURE

HYBRID



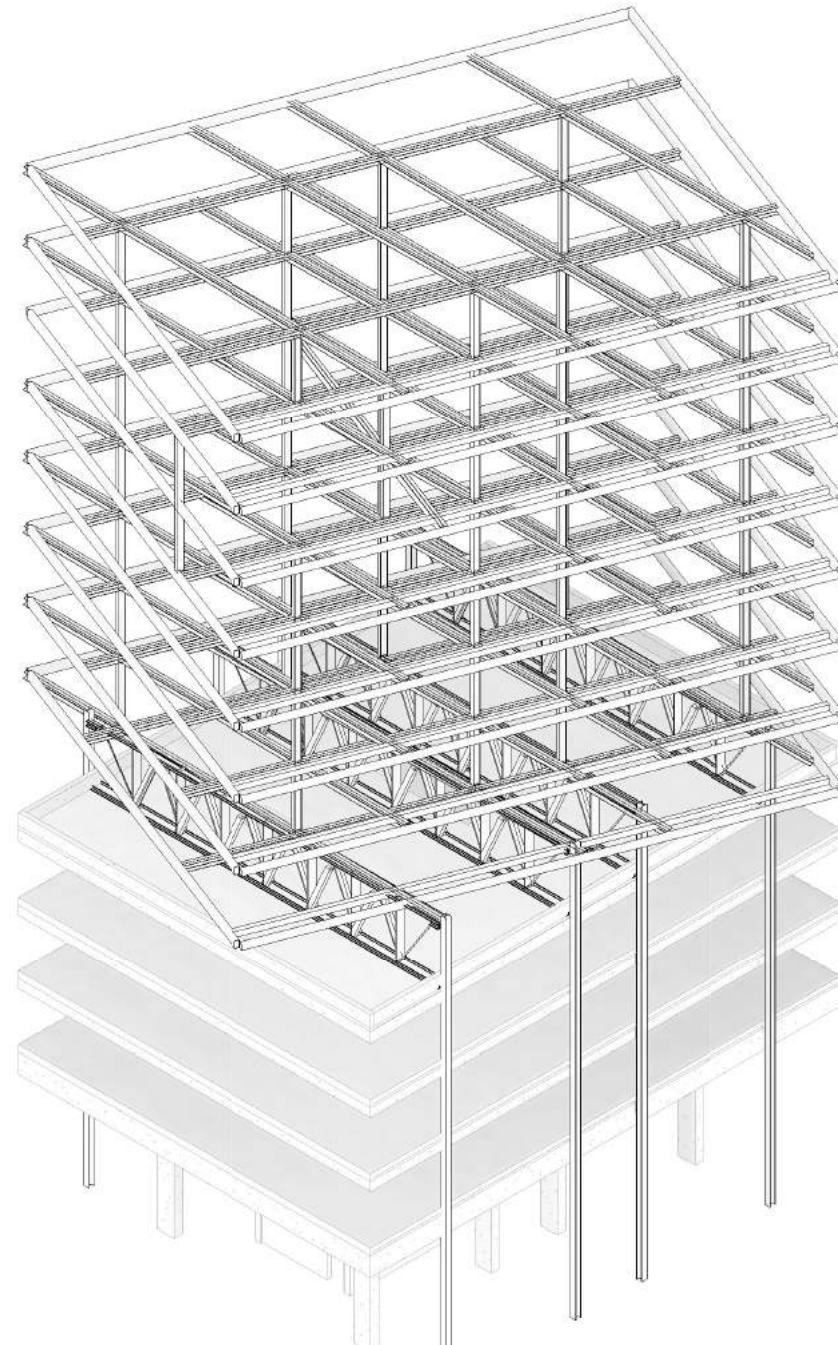
STRUCTURE

HYBRID



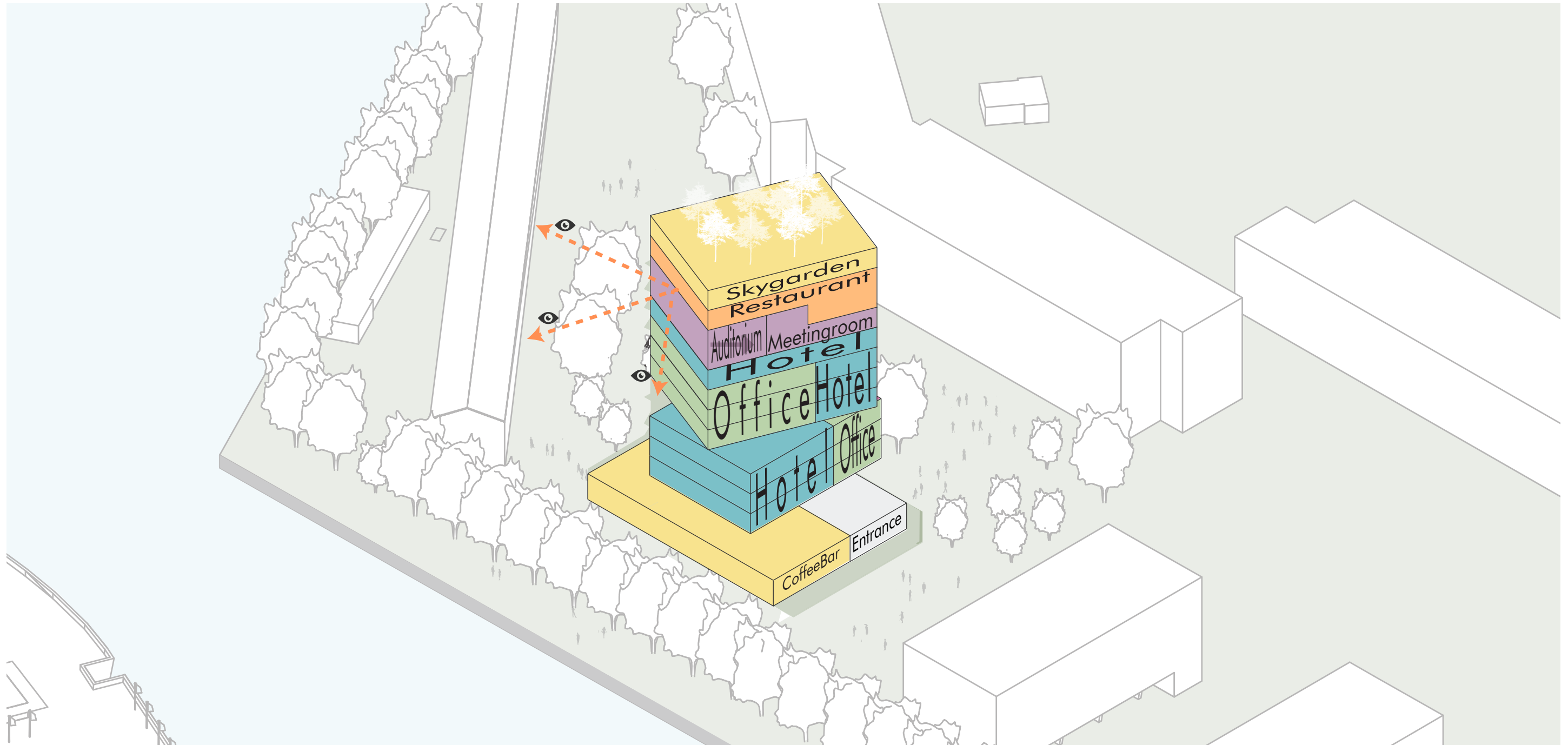
STRUCTURE

HYBRID

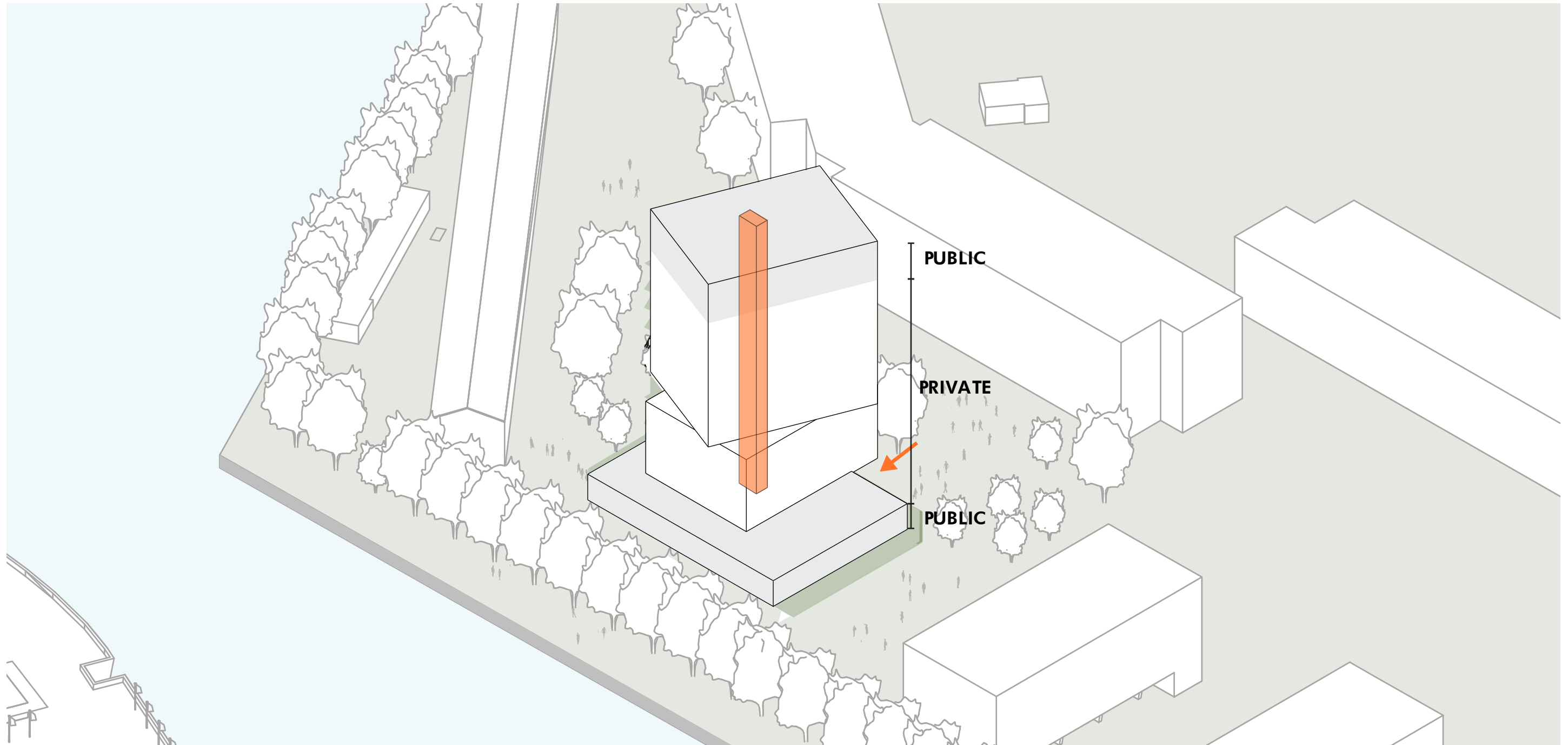


PROGRAM

HOTEL

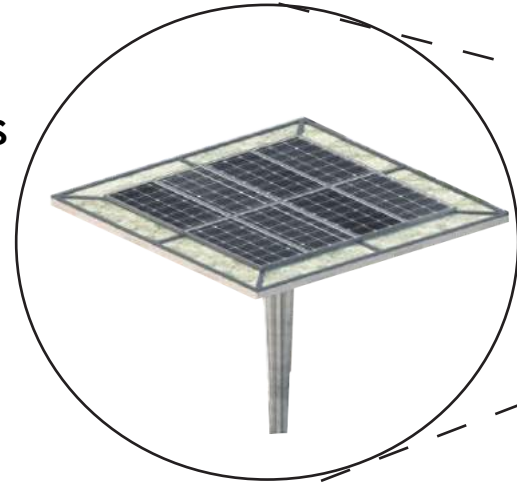


CIRCULATION

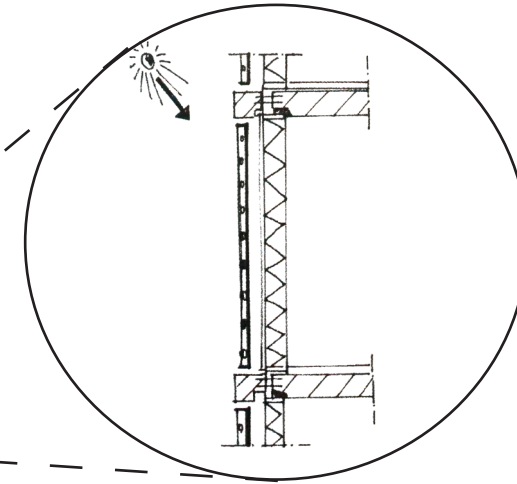


CLIMATE

PV-CELLS & SOLAR COLLECTORS

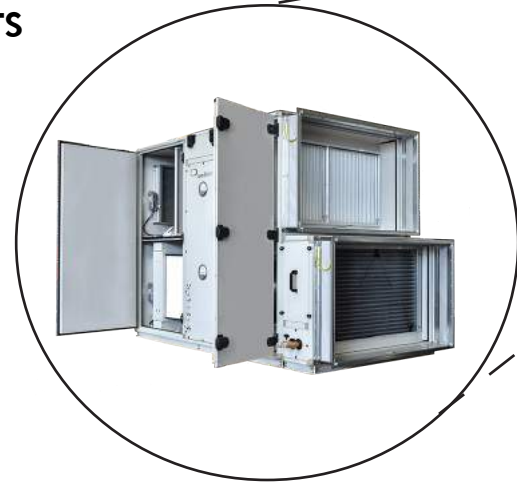


SOLAR COLLECTORS IN THE WALL

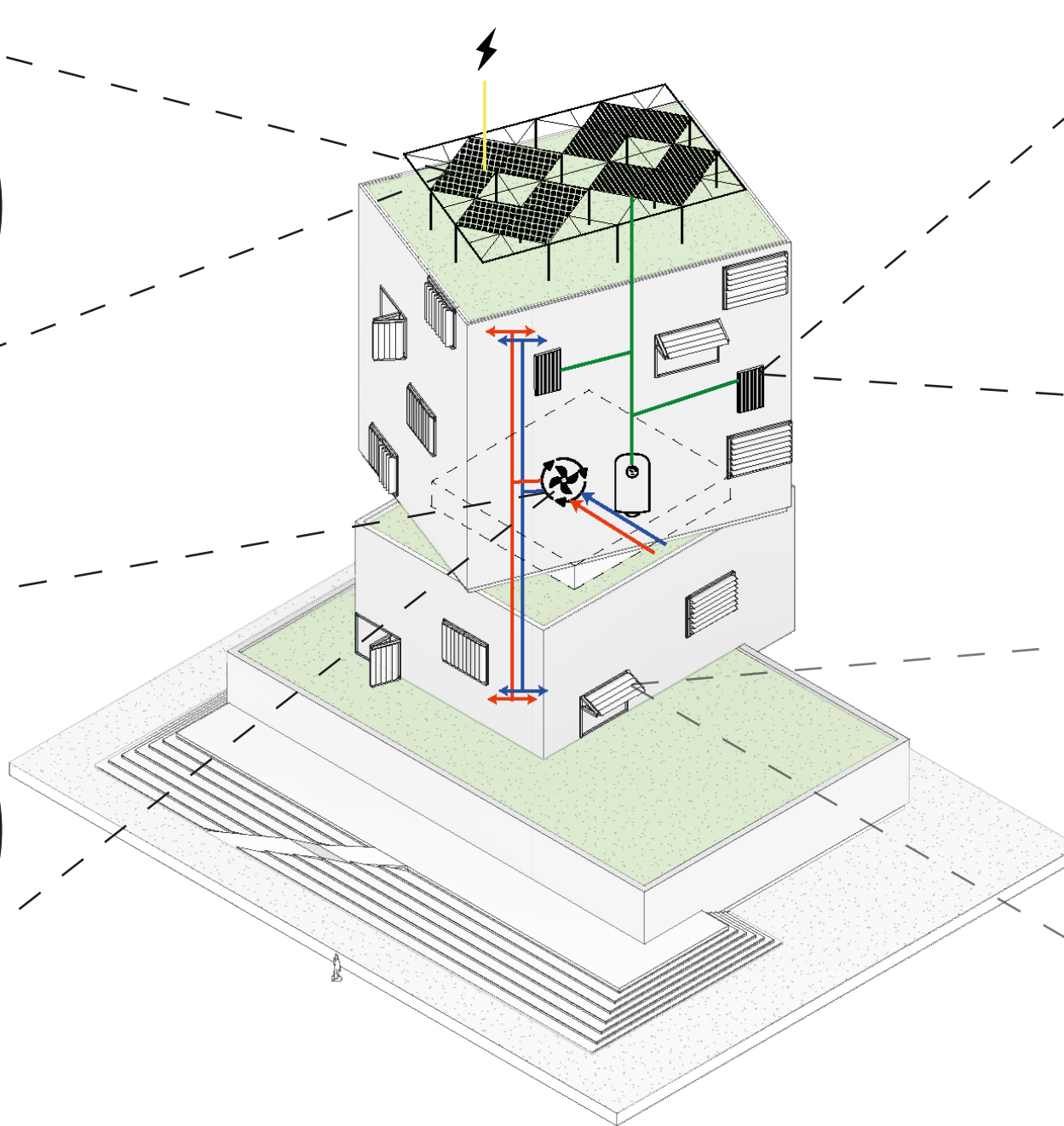
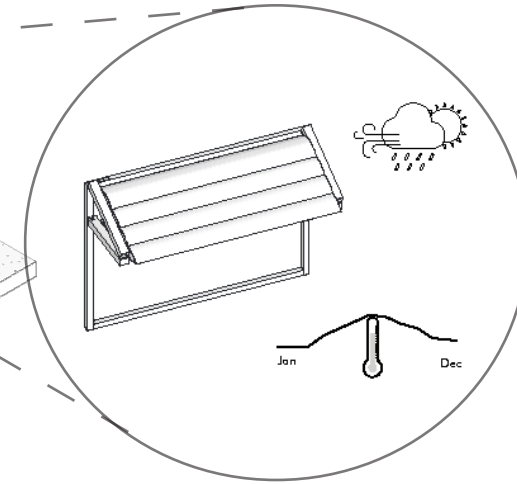


CLIMATE UNITS

- Ventilation with heat recovery system
- Boiler reservoir

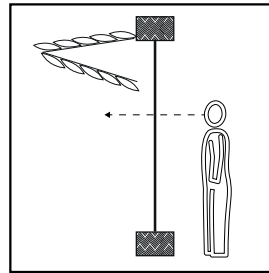


ADAPTIVE FACADE

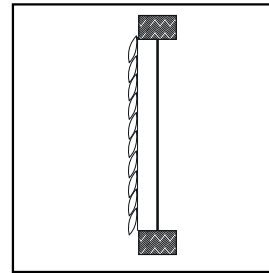


ADAPTIVE FACADE

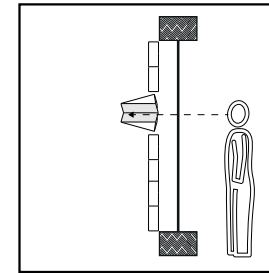
PARAMETERS



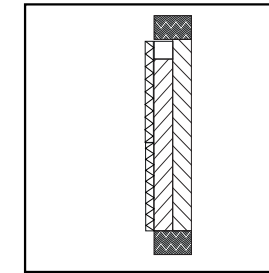
FULLY OPEN



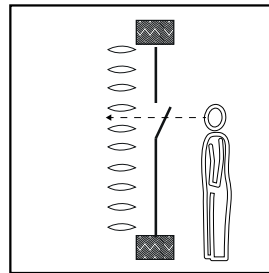
FULLY CLOSED



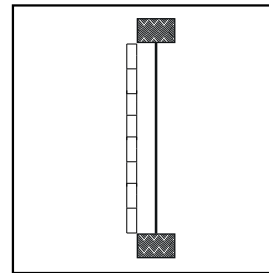
PARTLY OPEN /
CLOSED



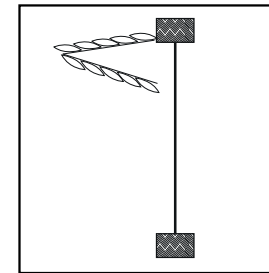
MULTIPLE LAYERS



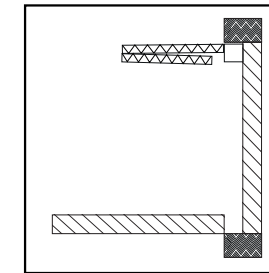
OPEN A WINDOW



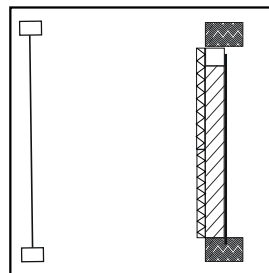
LAYER
INSULATION



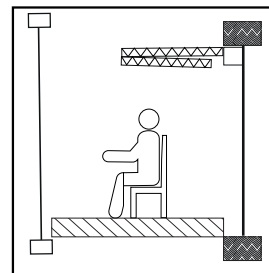
LAYER SUN
SHADING



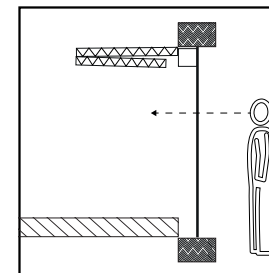
LAYER THERMAL
MASS



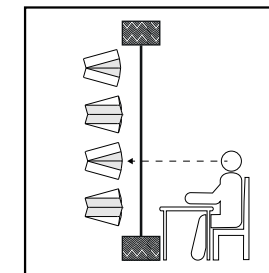
SECOND SKIN



CREATE SEATING
SURFACE



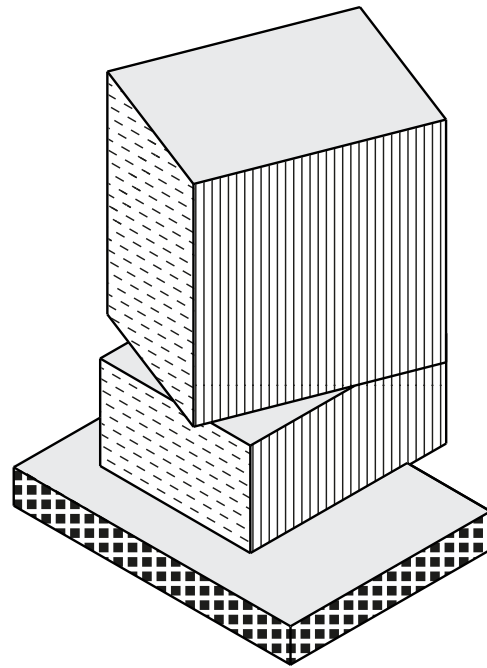
LARGE ELEMENTS
COLLECTIVE TEMP.



SMALL ELEMENTS
INDIVIDUAL TEMP.

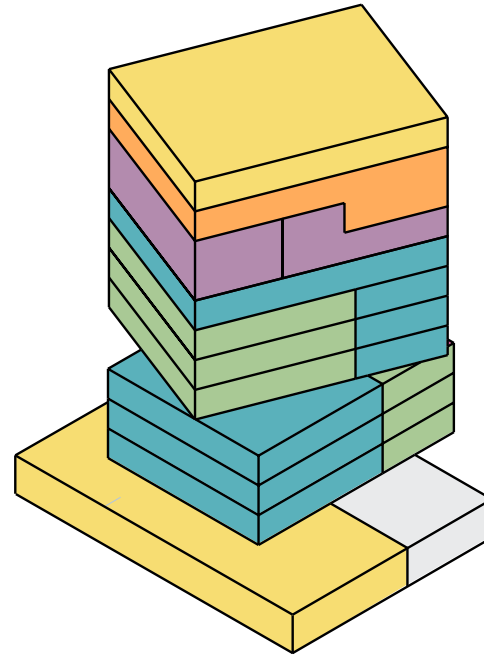
ADAPTIVE FACADE

STARTING POINT



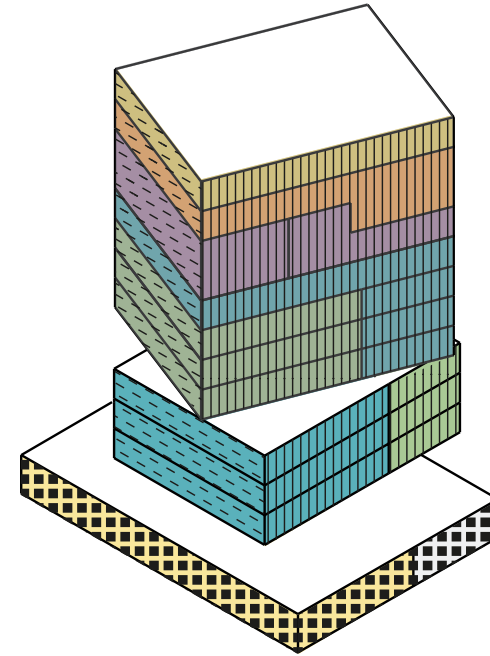
ORIENTATION

+



PROGRAM

=



ONE BASIC FACADE ELEMENT WITH OPTIONAL ADDITIVES DEPENDING ON THE CLIMATE AND FUNCTION

ADAPTIVE FACADE

DESIGN

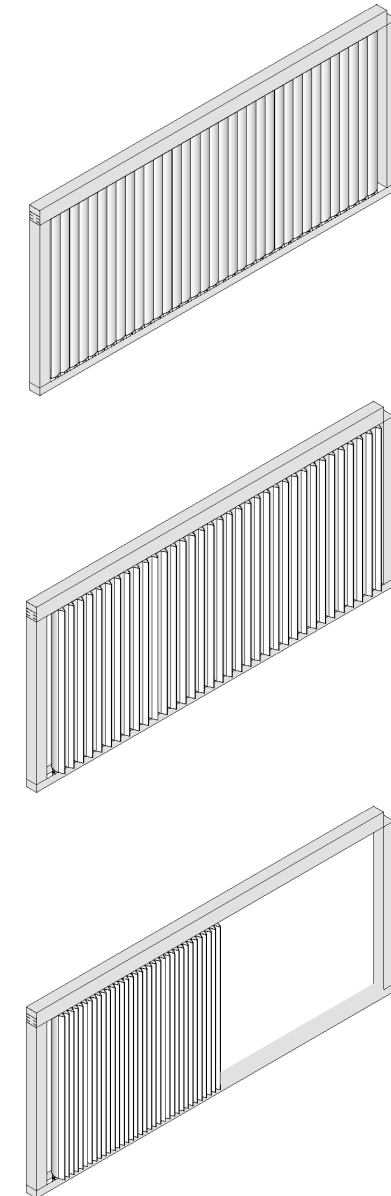
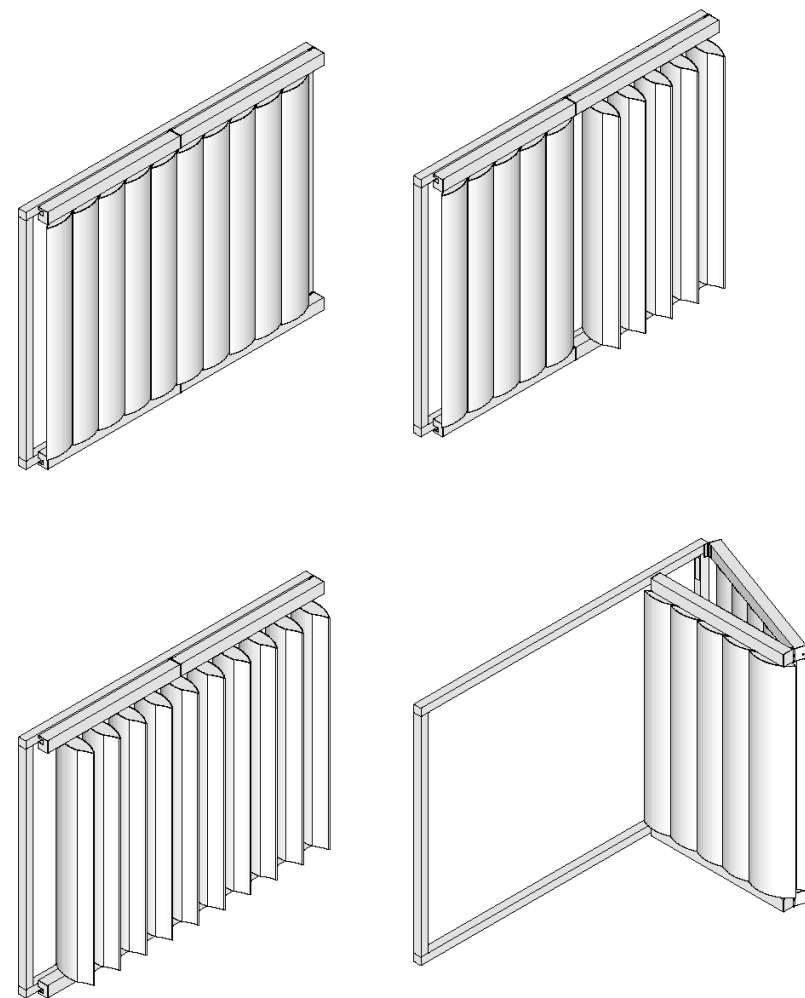
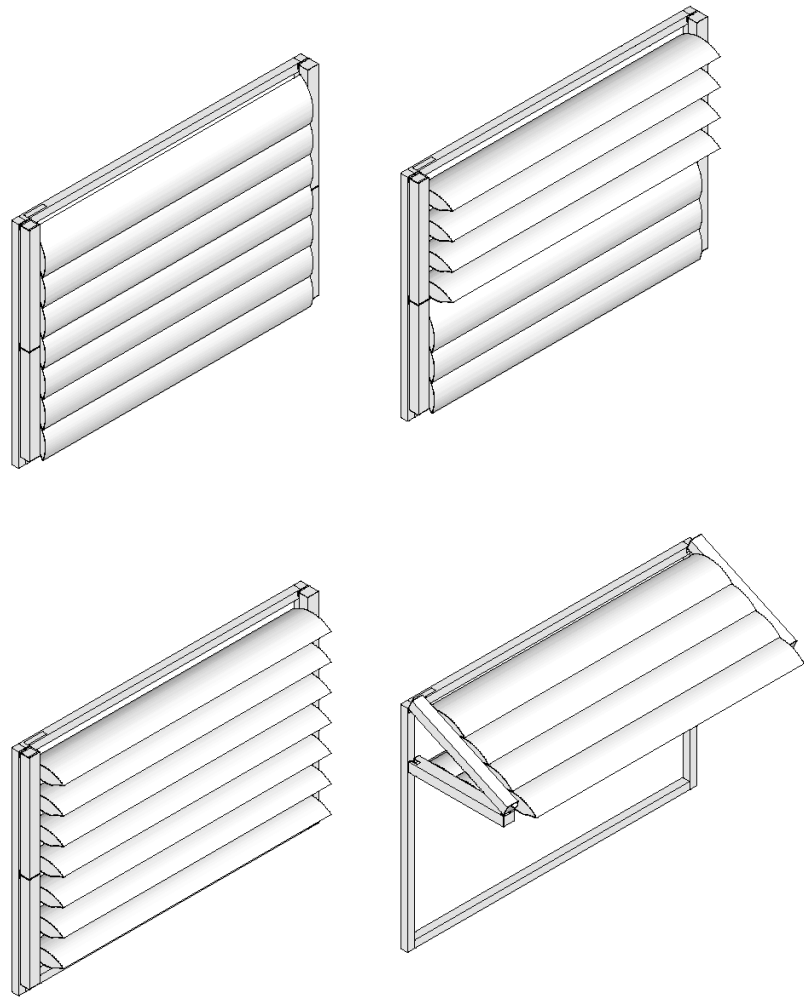
BASIC ELEMENT

ORIENTATION

PROGRAM

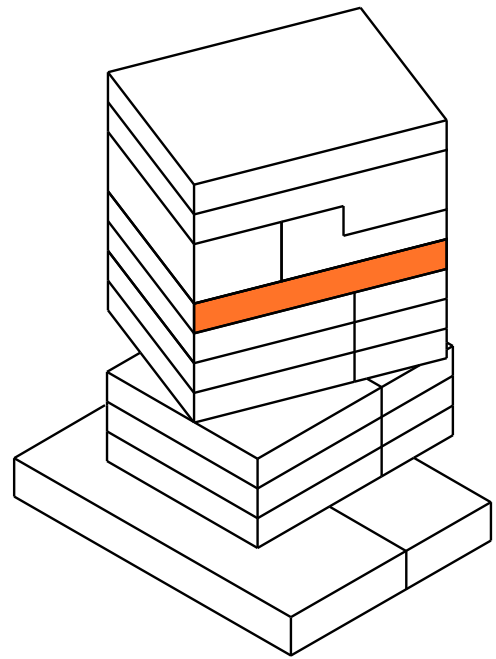
WEST FACADE

AUDITORIUM

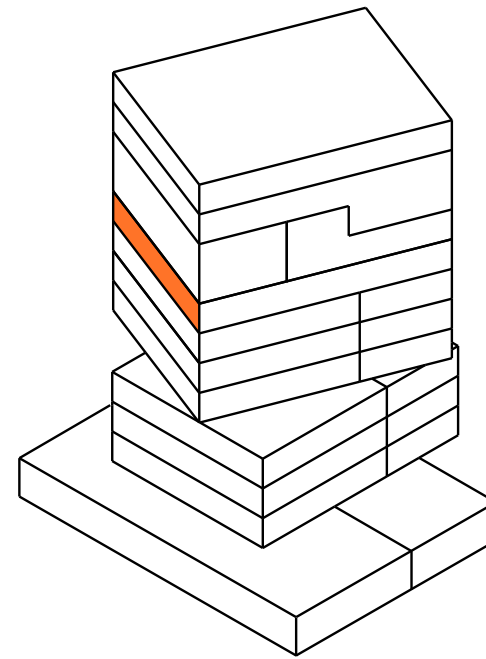


ADAPTIVE FACADE

SOUTH FACADE AND WEST FACADE



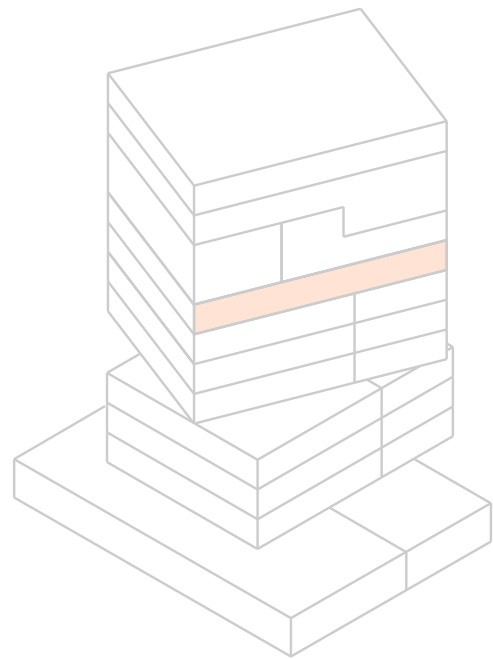
South_Hotel	Present	Absent
Summer		
Sunny		
Cloudy		
Night		
Winter		
Sunny		
Cloudy / Night		



West_Hotel	Present	Absent
Summer		
Sunny		
Cloudy		
Night		
Winter		
Sunny		
Cloudy / Night		

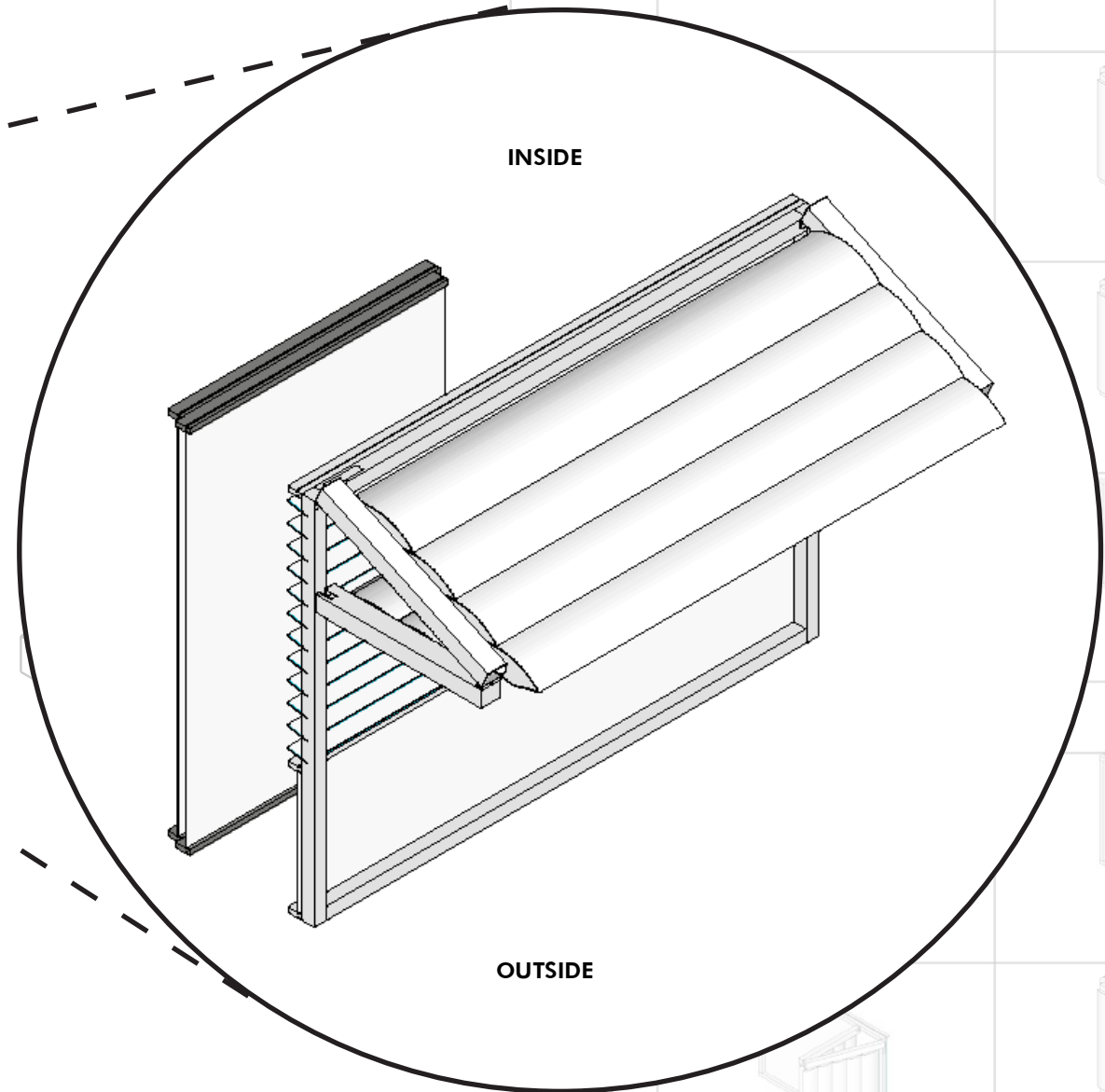
ADAPTIVE FACADE

SOUTH FACADE AND WEST FACADE



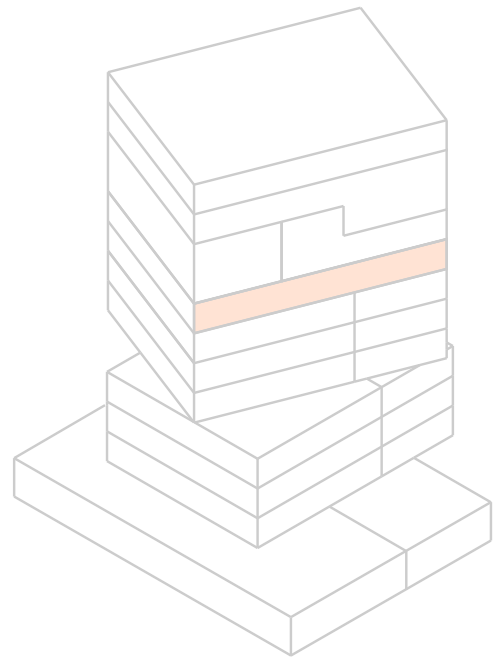
South_Hotel	Present	Absent
Summer		
Sunny		
Cloudy		
Night		
Winter		
Sunny		
Cloudy / Night		

West_Hotel	Present	Absent
Summer		
Sunny		
Cloudy		
Night		
Winter		
Sunny		
Cloudy / Night		



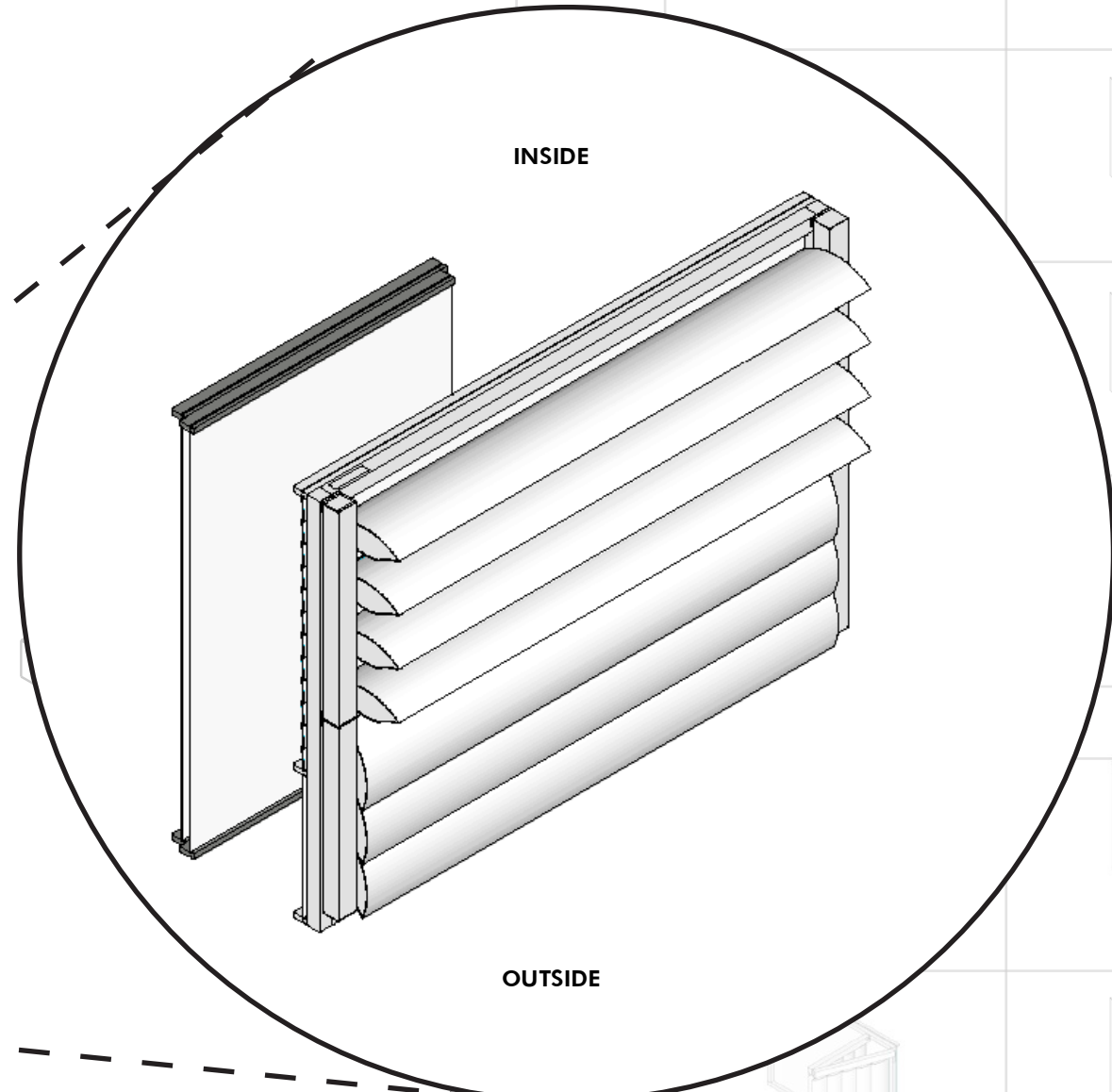
ADAPTIVE FACADE

SOUTH FACADE AND WEST FACADE



South_Hotel	Present	Absent
Summer		
Sunny		
Cloudy		
Night		
Winter		
Sunny		
Cloudy / Night		

West_Hotel	Present	Absent



RESULTS



- SKY GARDEN -

- RESTAURANT -

- AUDITORIUM -

- HOTEL & OFFICE -

- COFFEE BAR -

- ENTRANCE -

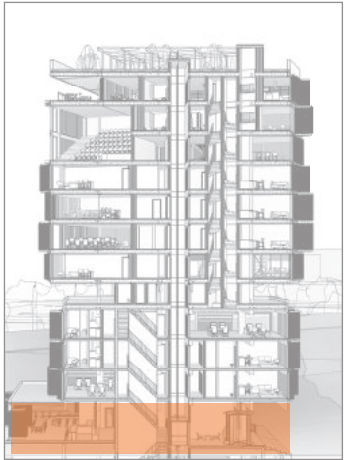
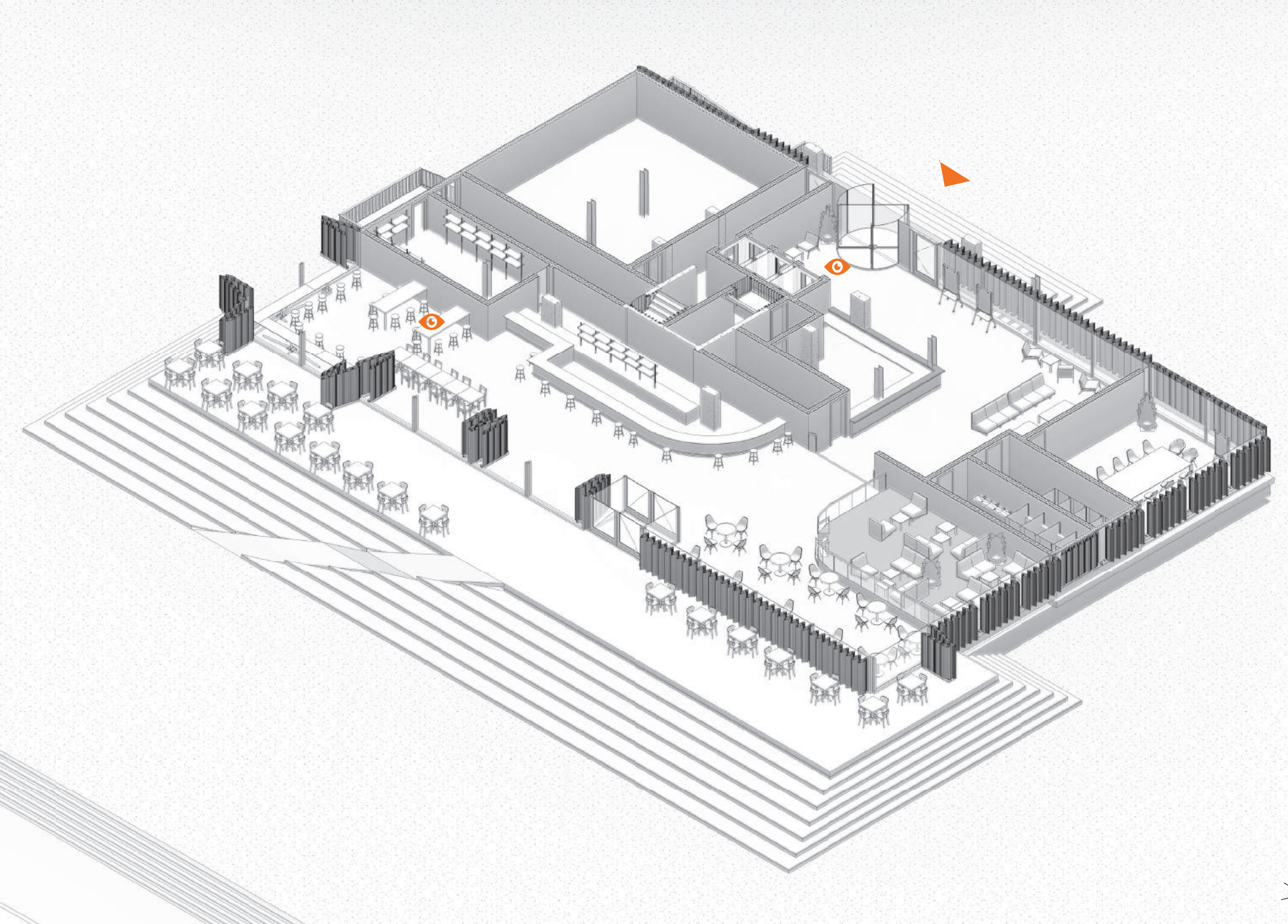




- COFFEE BAR -

ENTRANCE -

ENTRANCE



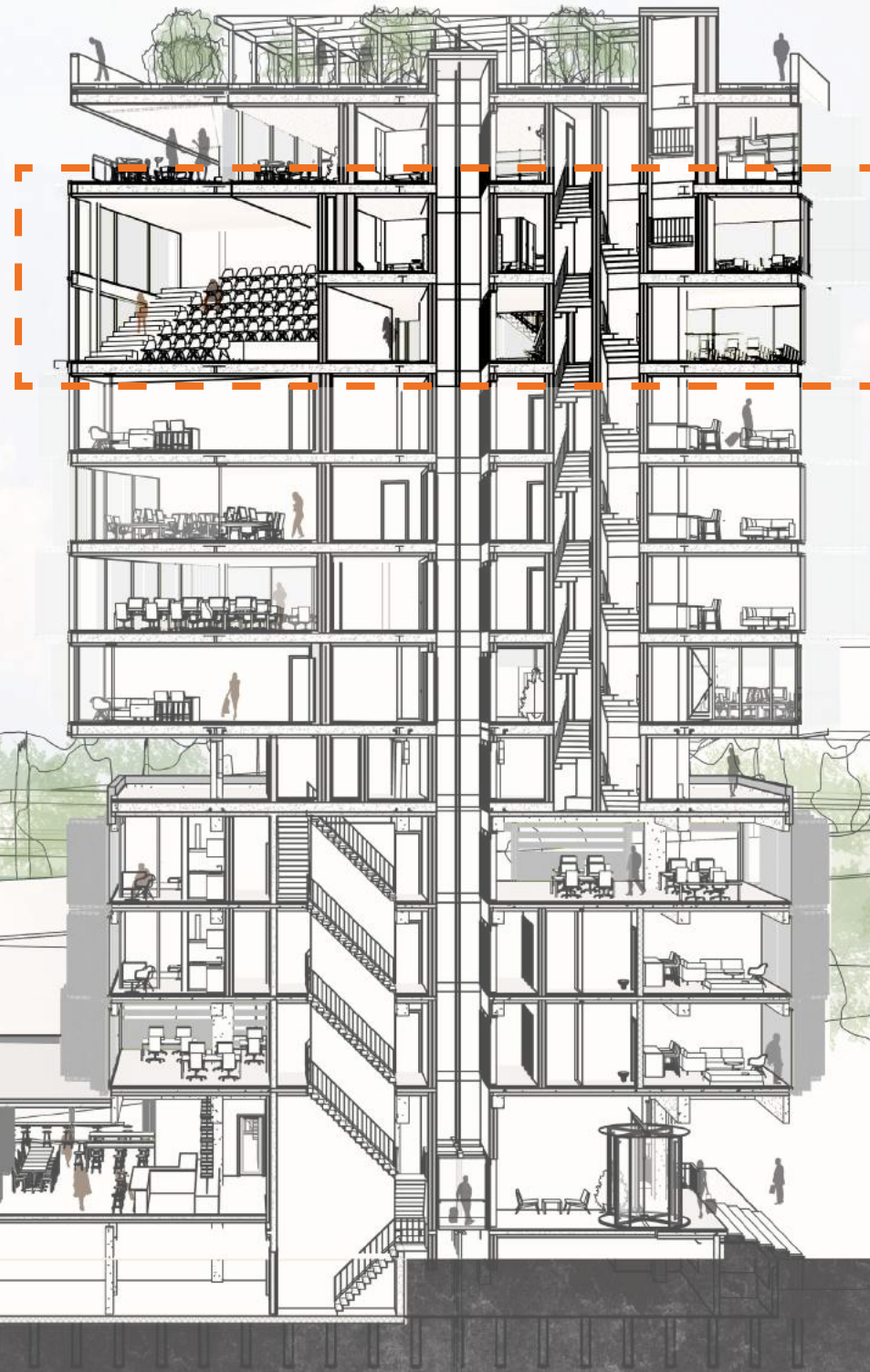
RECEPTION



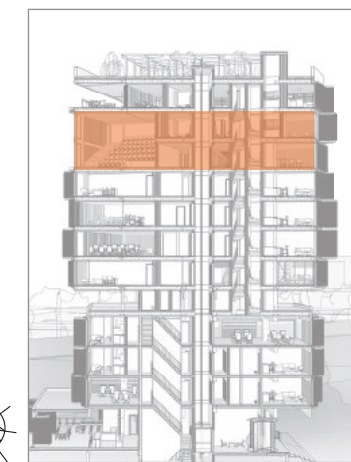
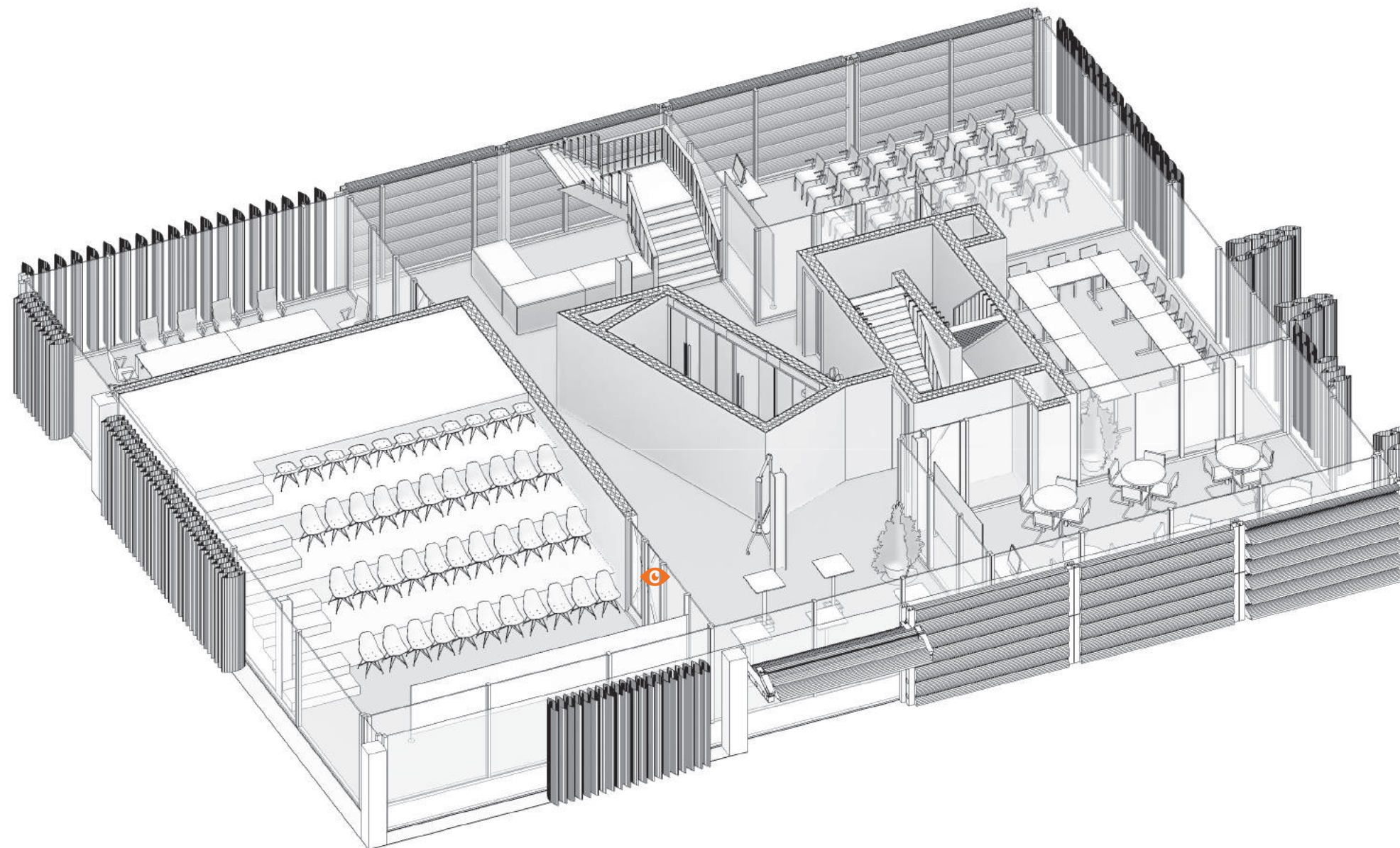
COFFEE BAR



- AUDITORIUM -



AUDITORIUM



AUDITORIUM



AUDITORIUM

AN ADAPTIVE VISION
ADAPTIVE REDESIGN OF 'DOK 25' MARINESTRASSE

AR2AE015 Architectural Engineering: Inlecture graduation studio (2017-2018)
29-06-2018

P5 presentation
Robert Jan Phuin

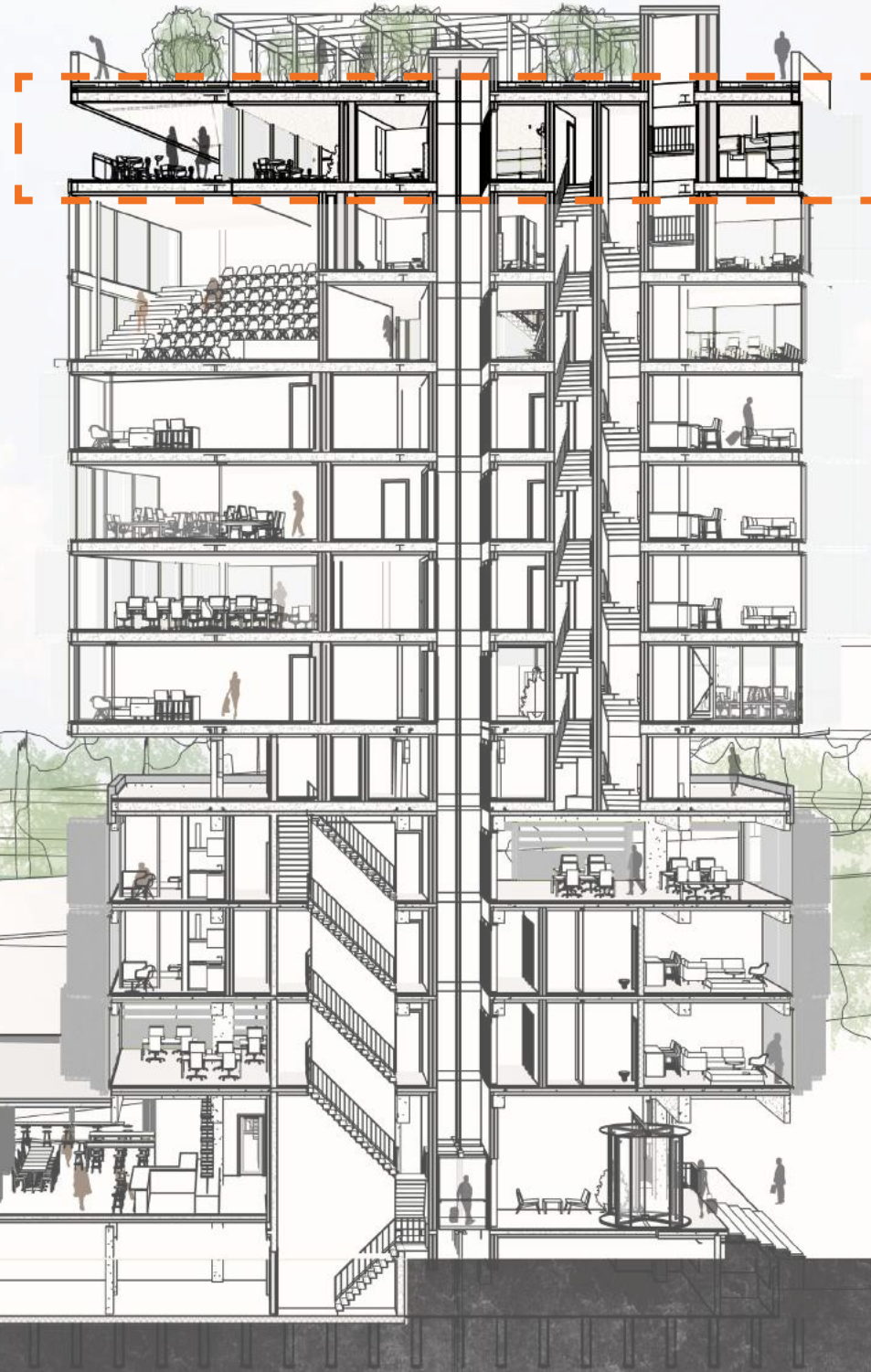


AUDITORIUM

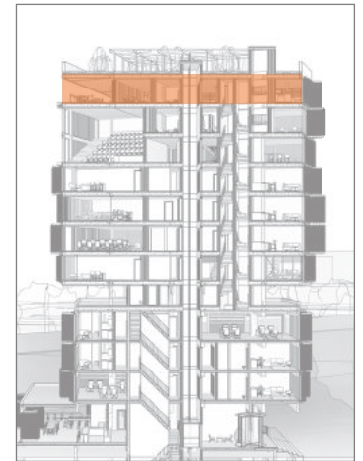
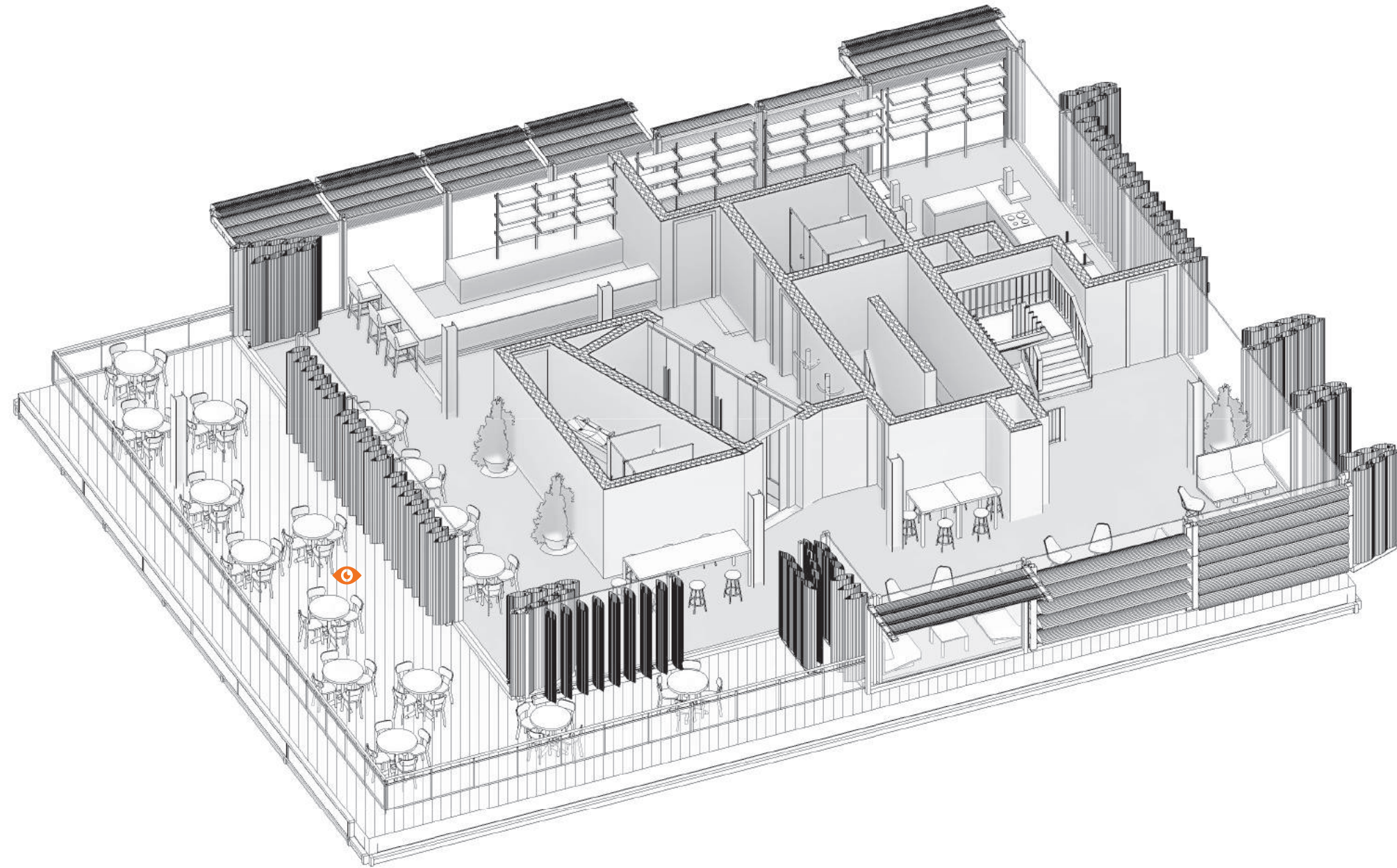
AUDITORIUM



- RESTAURANT -



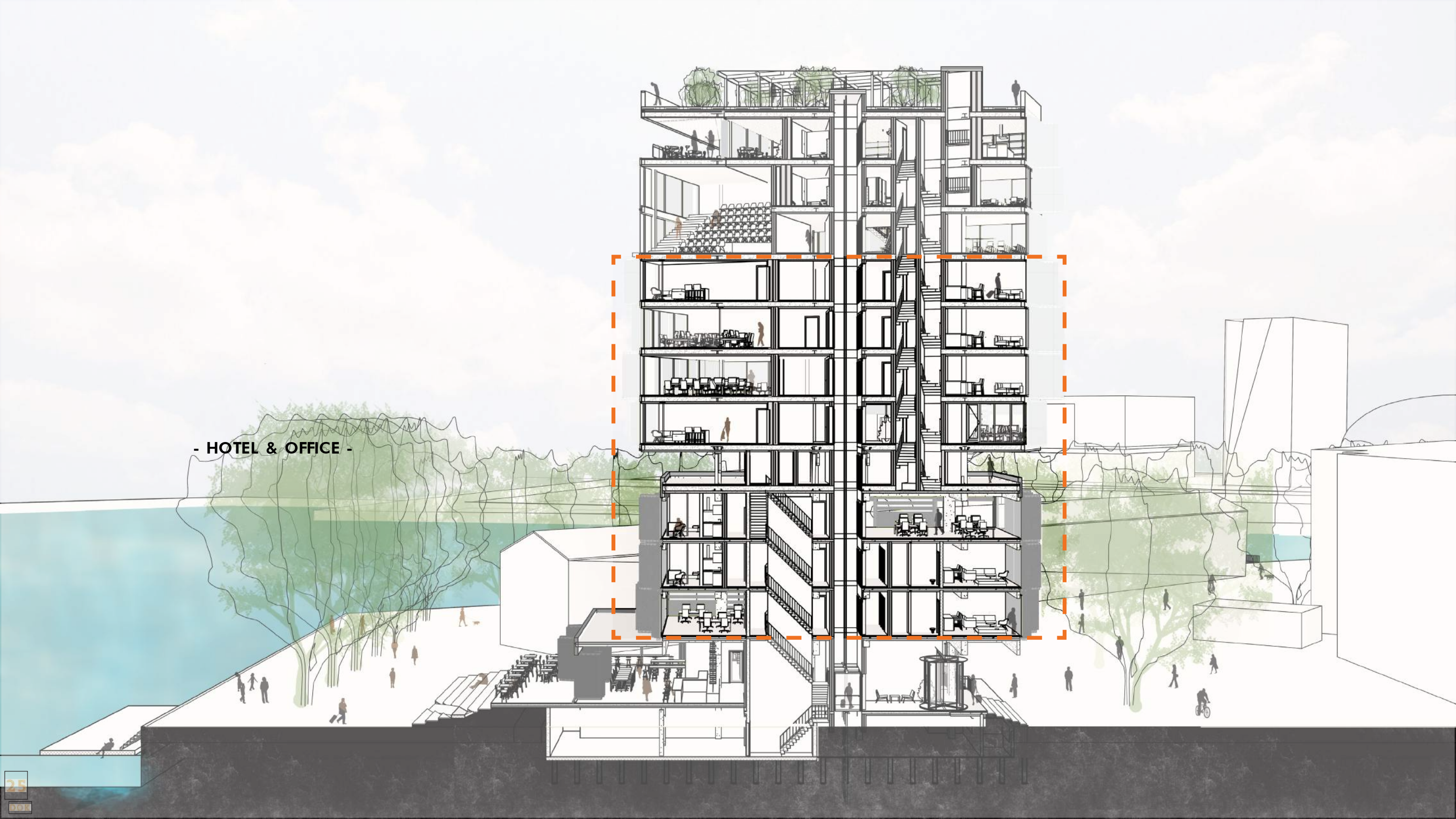
RESTAURANT



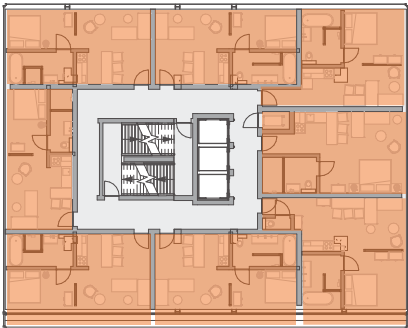
RESTAURANT



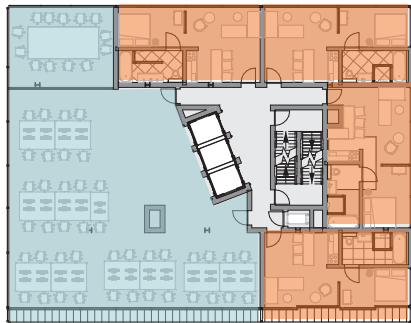
- HOTEL & OFFICE -



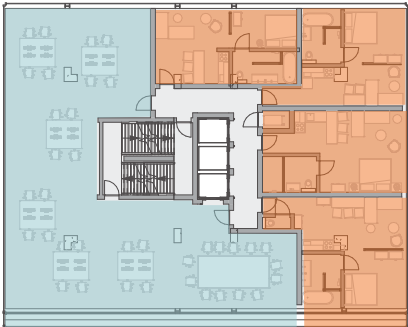
CONFIGURATIONS



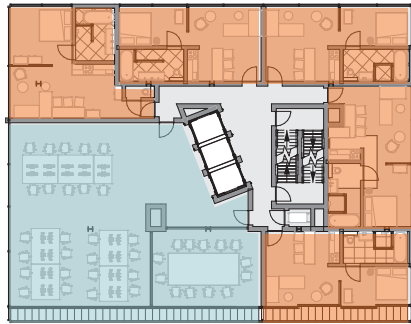
1ST



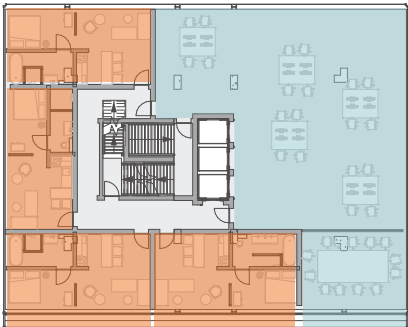
5TH



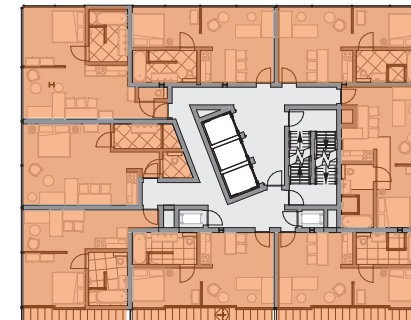
2ND



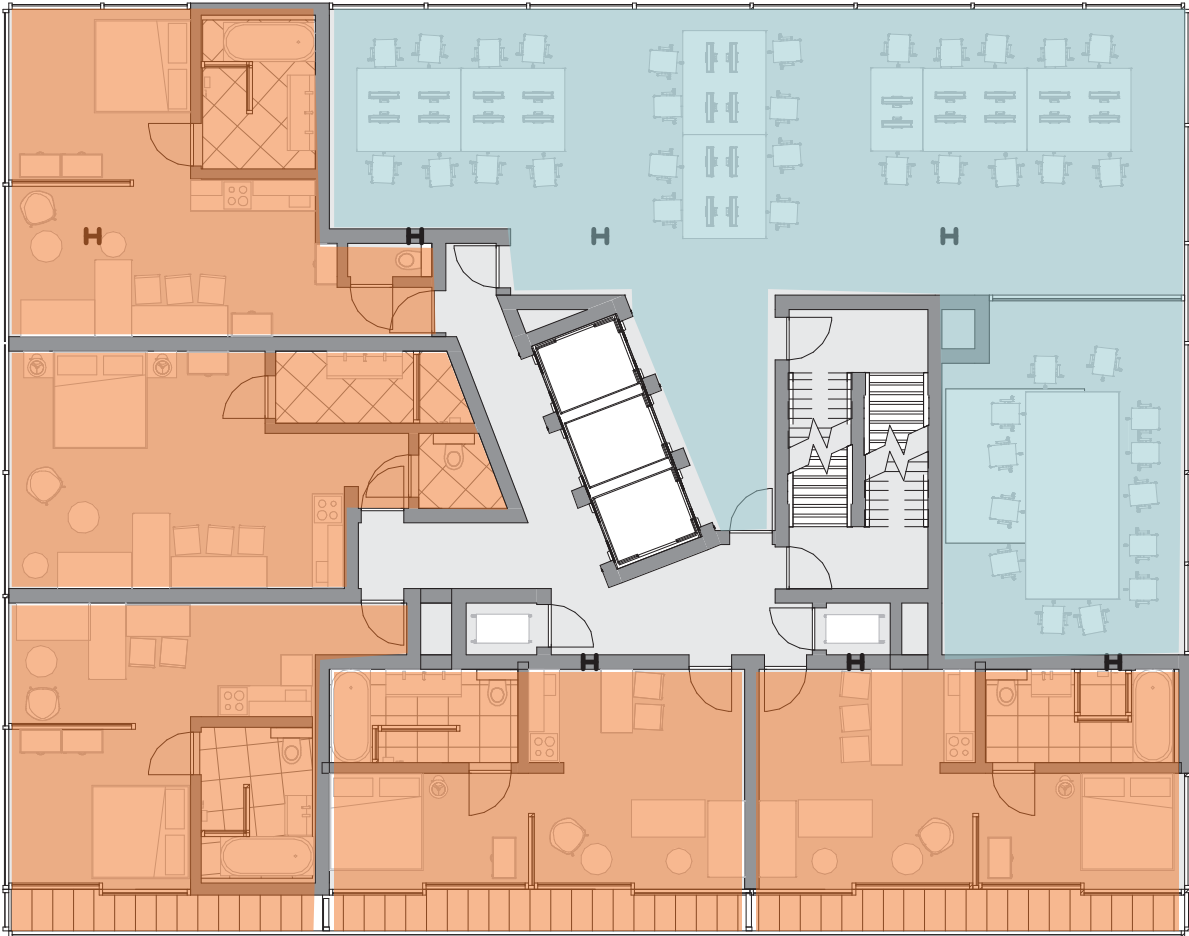
6TH



3RD

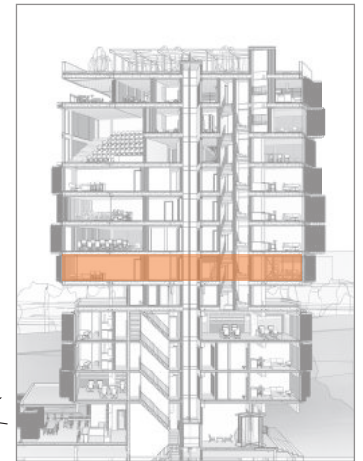
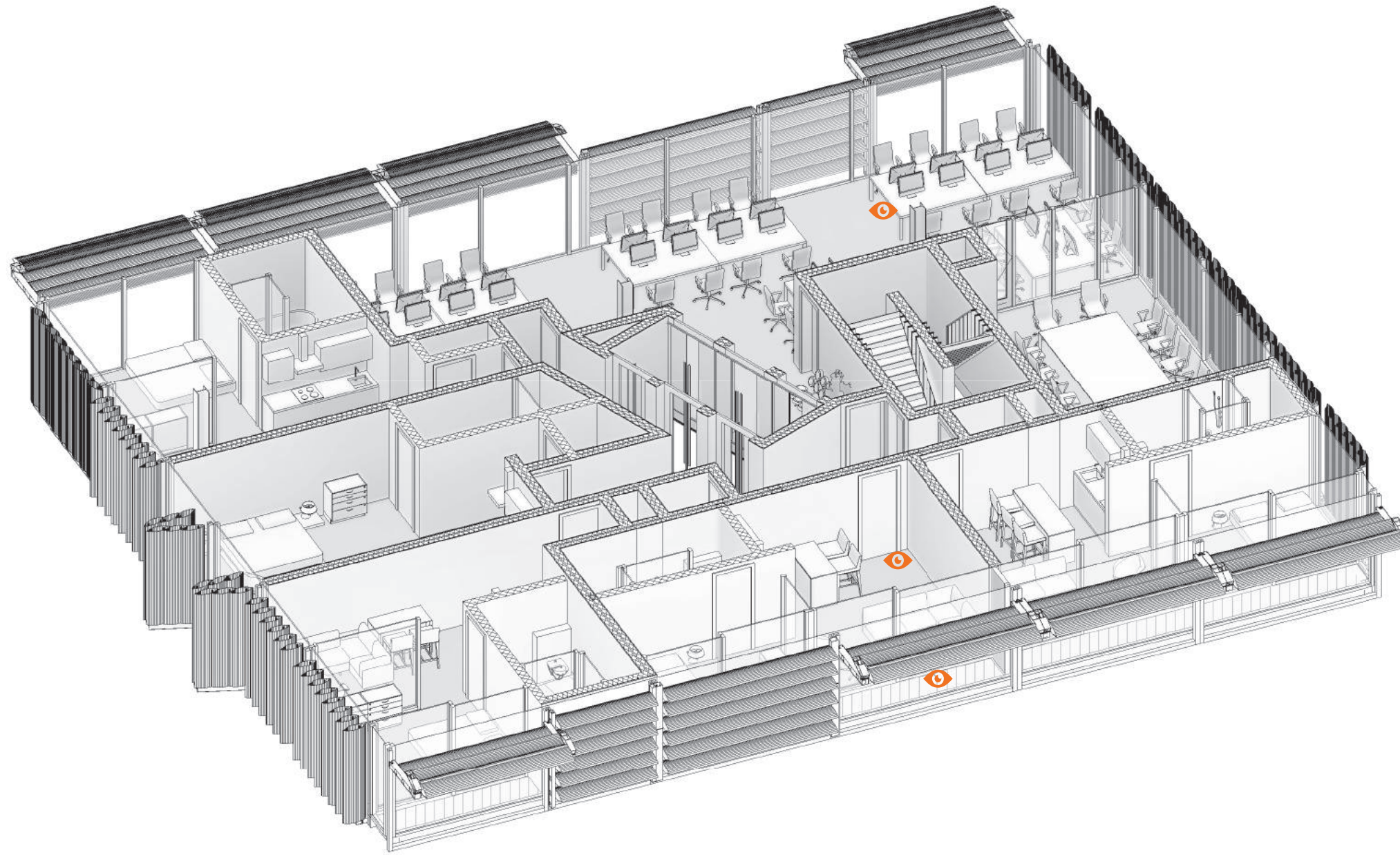


7TH



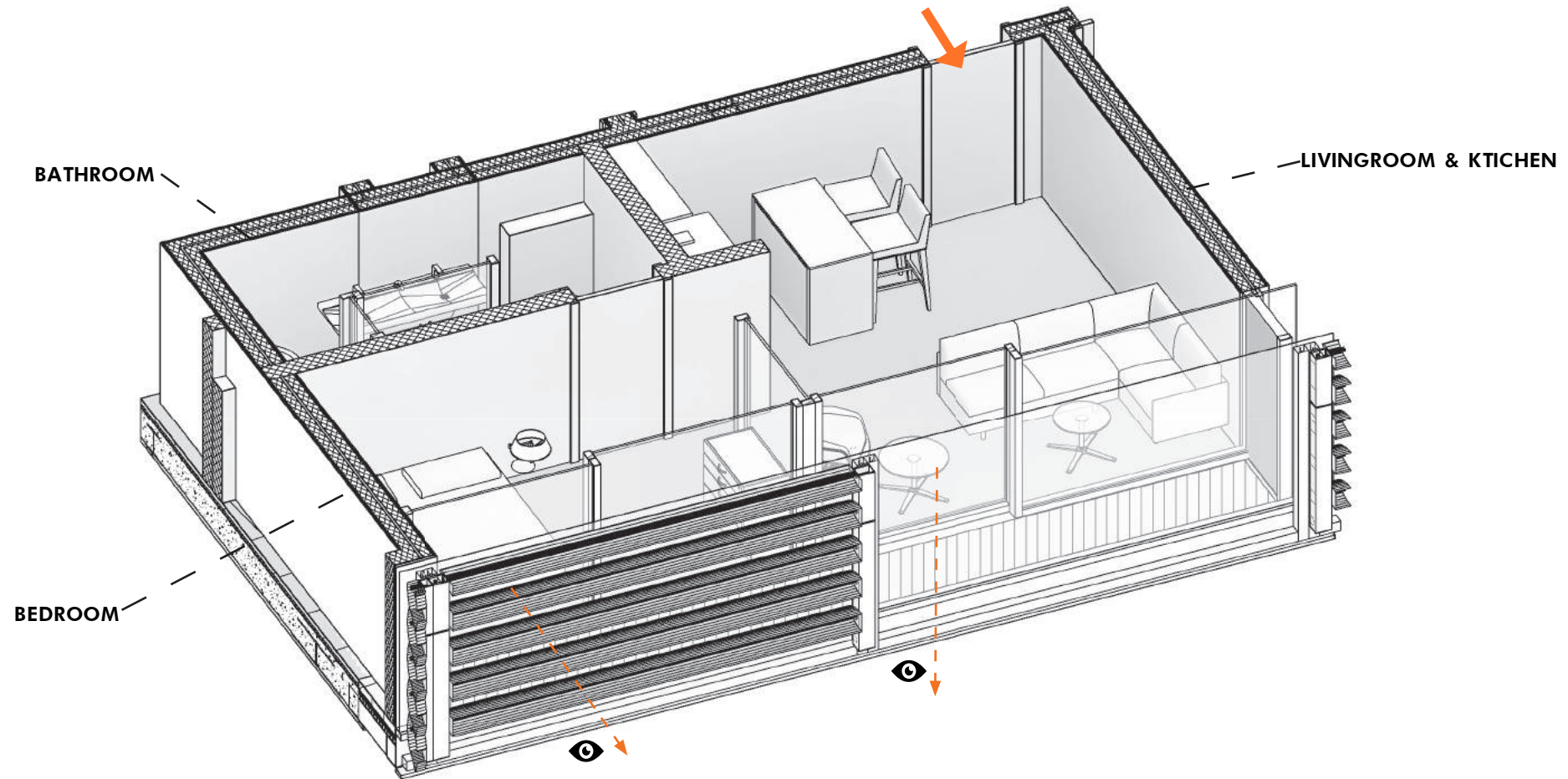
4TH

HOTEL & OFFICE



LONGSTAY HOTEL ROOM

32M2



LONGSTAY HOTEL ROOM



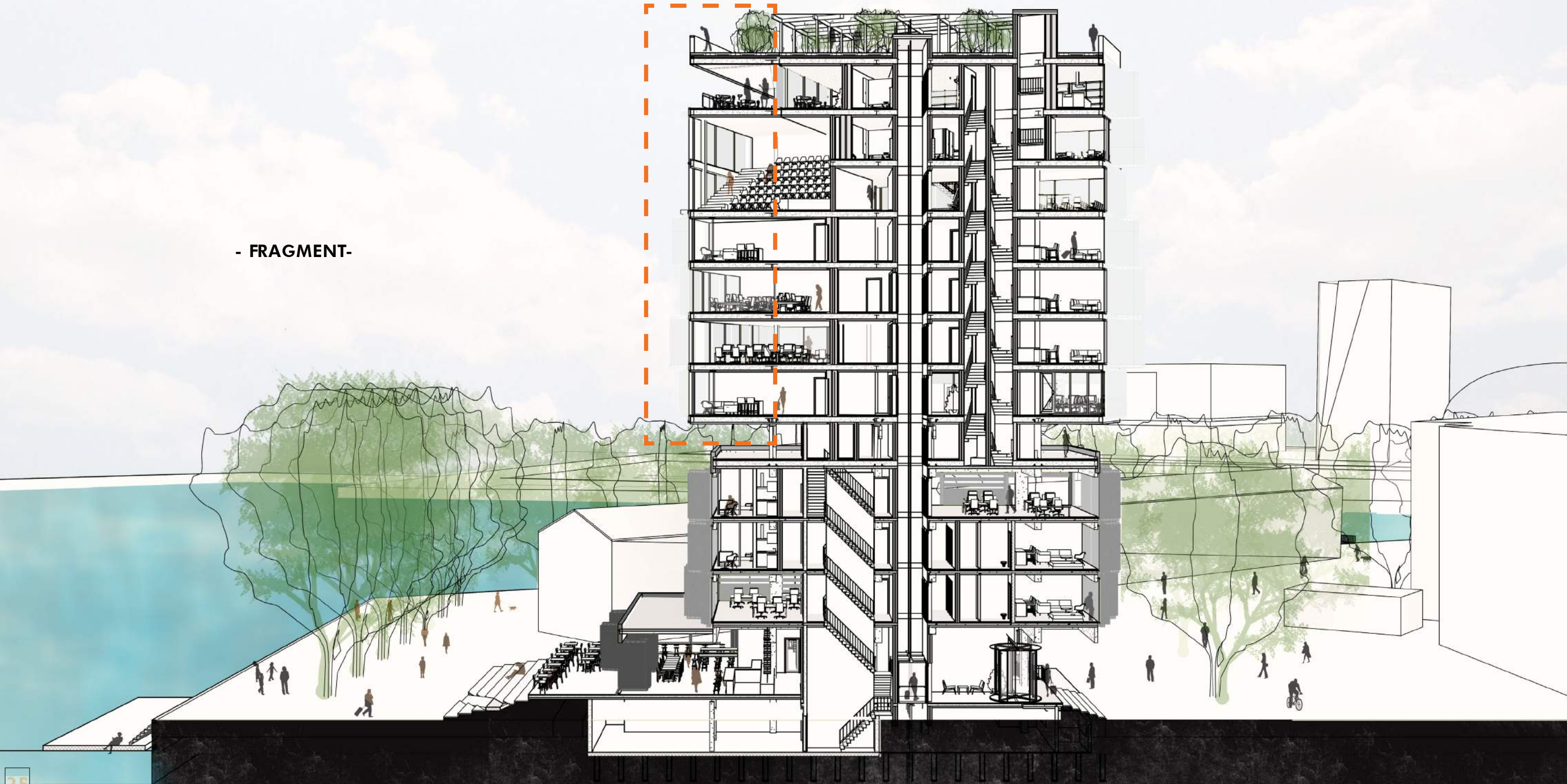
HOTEL ROOM OUTSIDE



OFFICE



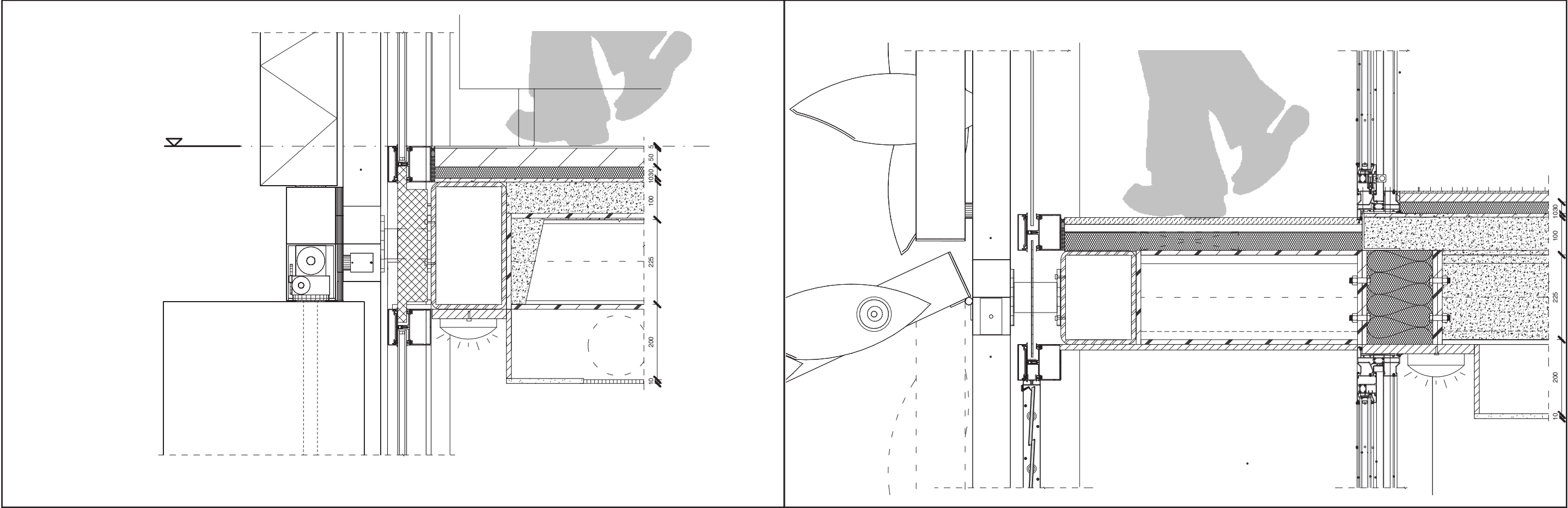
- FRAGMENT -



FRAGMENT



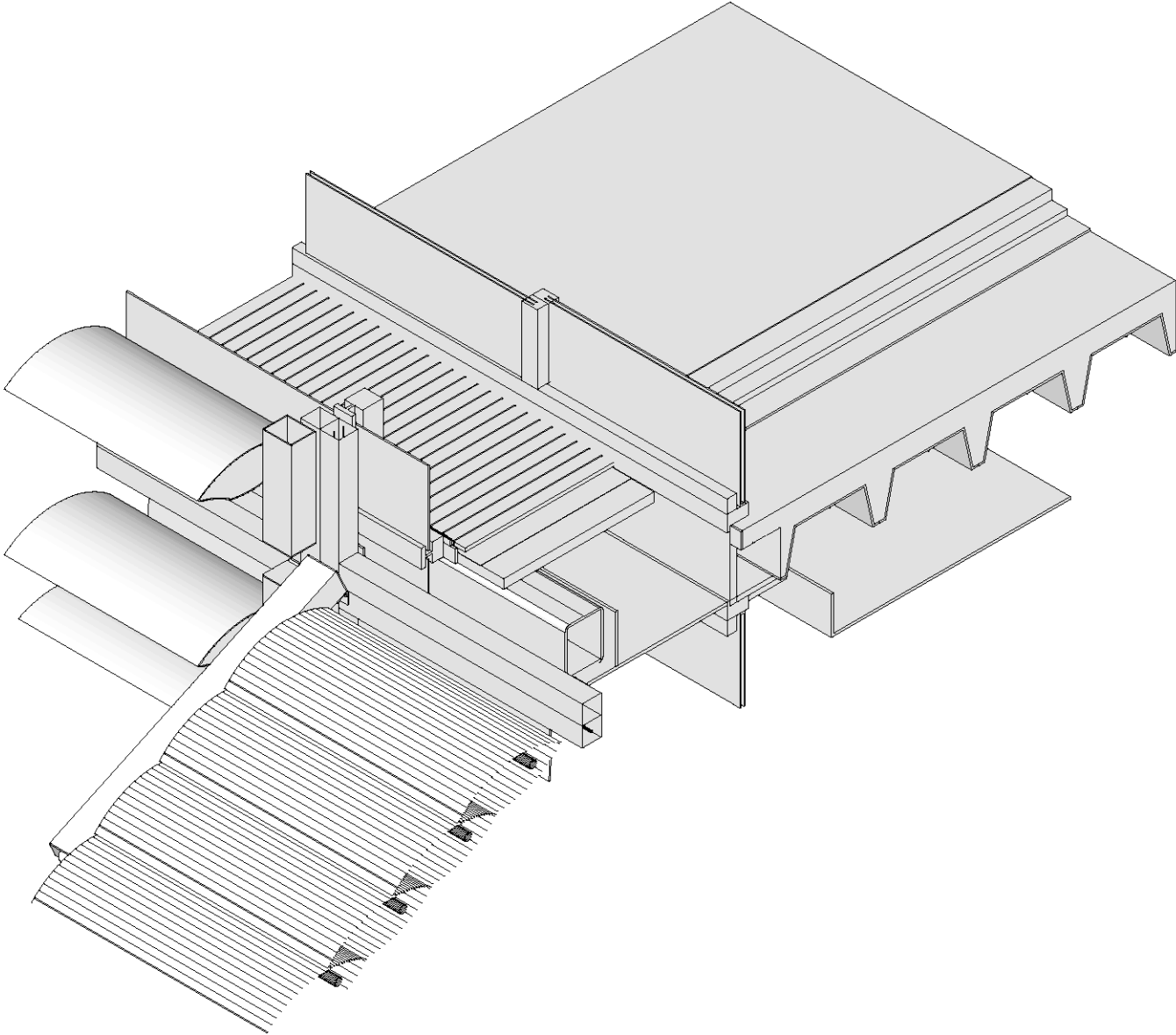
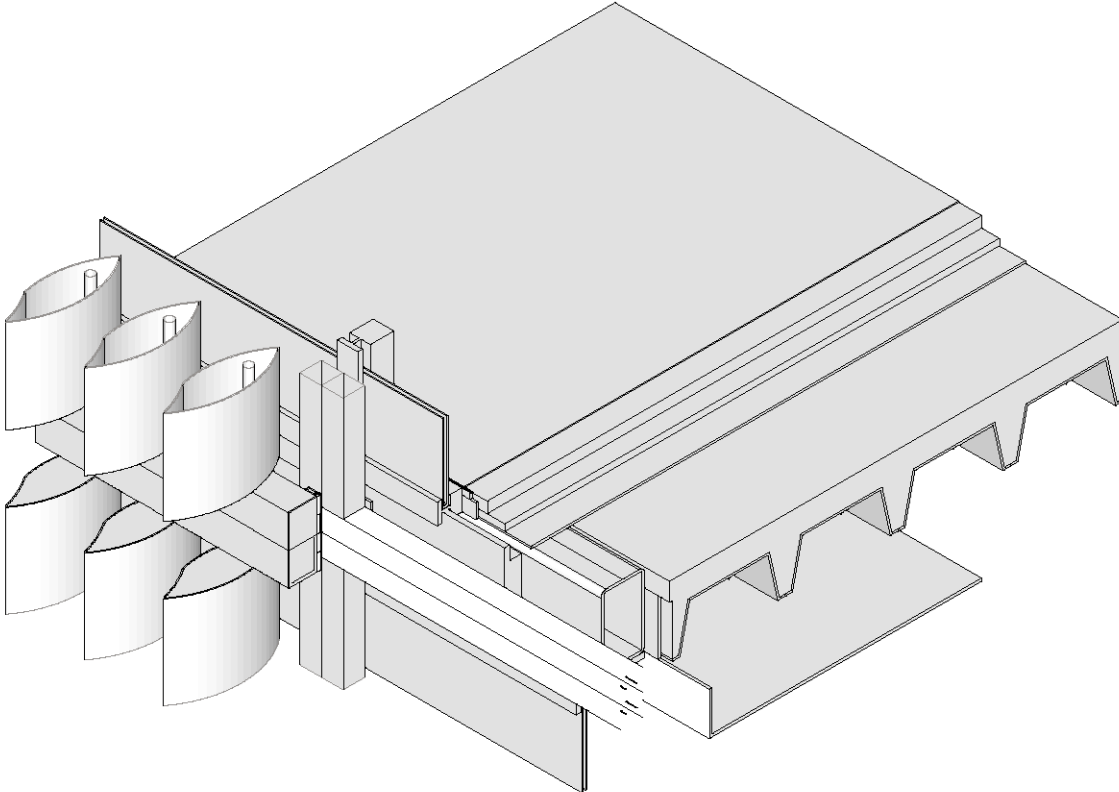
DETAIL



WEST FACADE

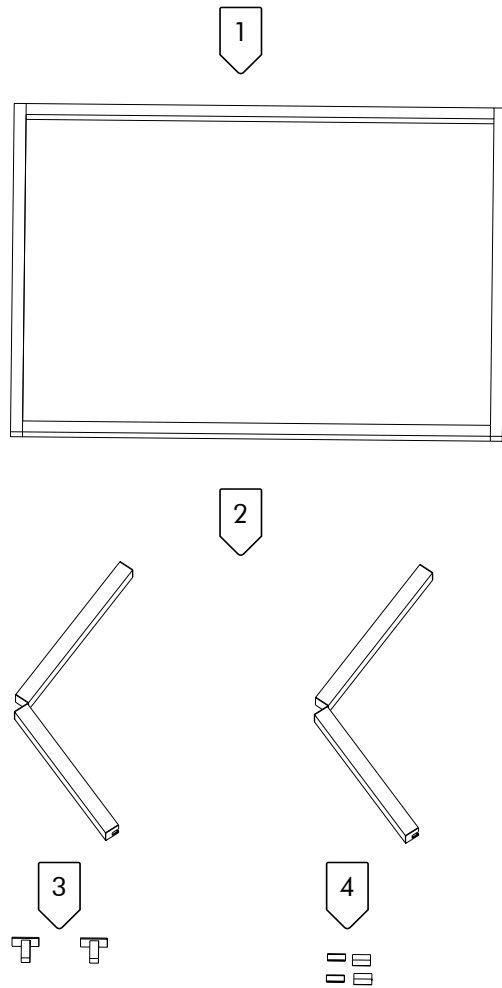
SOUTH FACADE

DETAIL



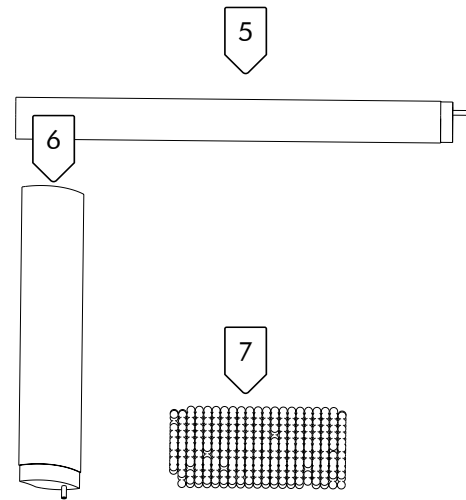
ADAPTIVE FACADE

ELEMENTS



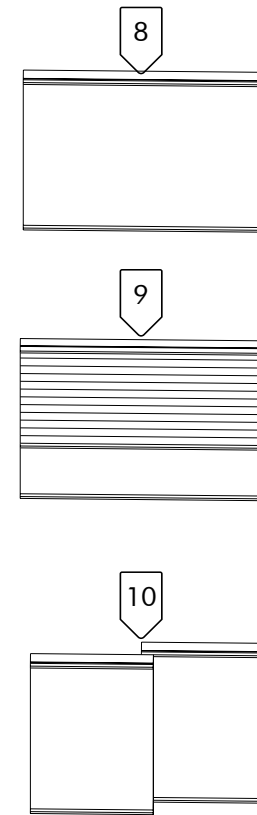
MOUNTING

1. Mullion frame
2. Folding mullions
3. Console
4. Hinges



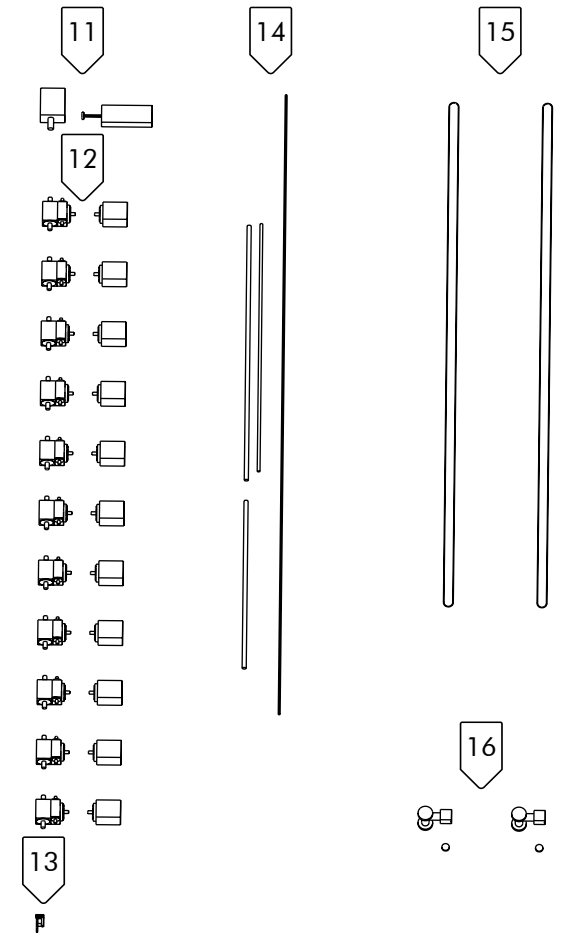
LOUVRES

5. Horizontal aluminium louvres
6. Vertical aluminium louvres
7. Insulation EPS balls



THERMAL RESISTANCE

8. Curtain wall with double glazing
9. Curtain wall with single glass louvres
10. Sliding door with double glazing

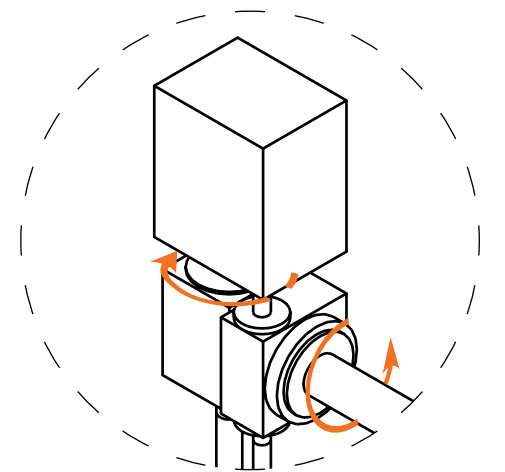
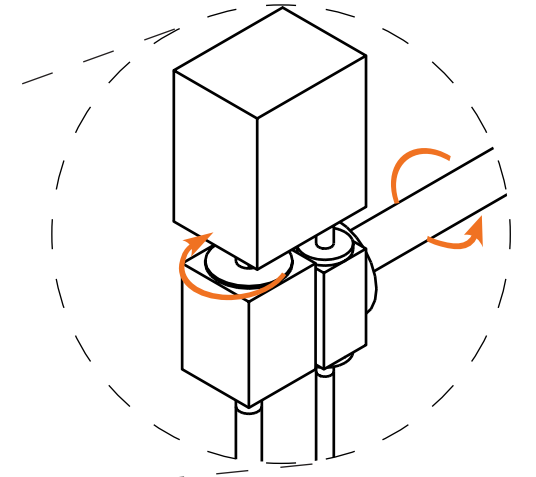
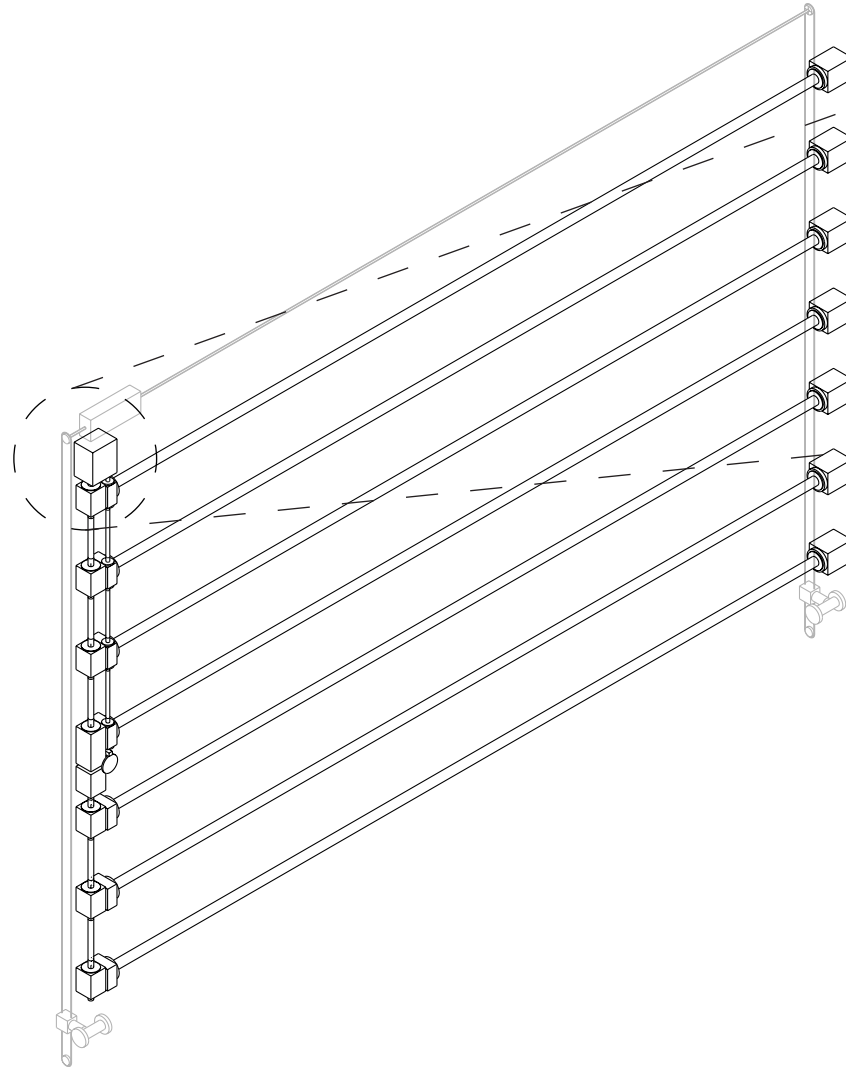
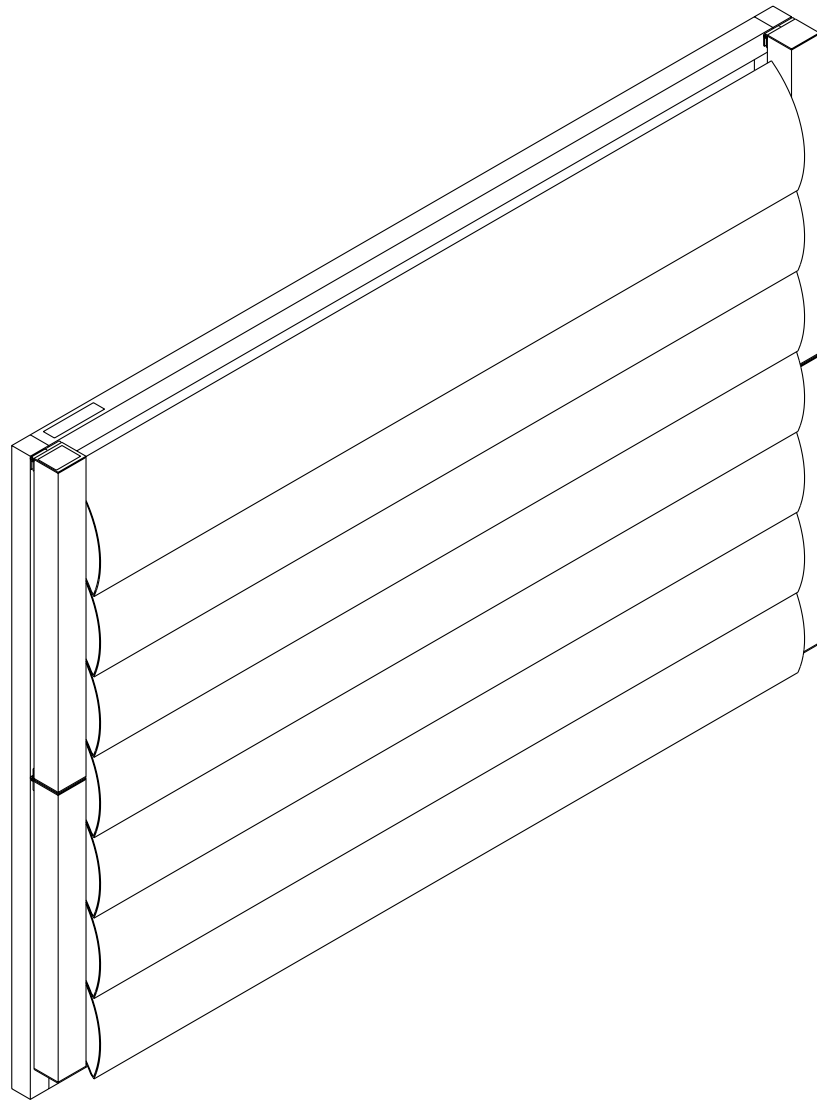


MECHANISM PARTS

11. Motor
12. Gearbox
13. Gear rack
14. Shafts
15. Steel cable
16. Pulley

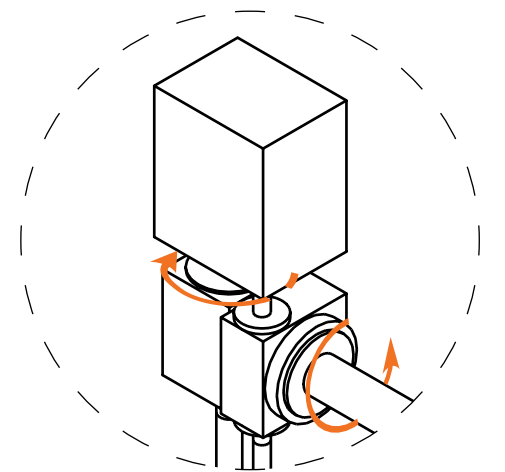
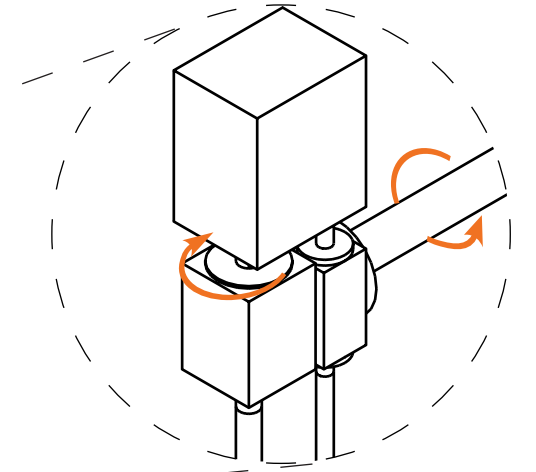
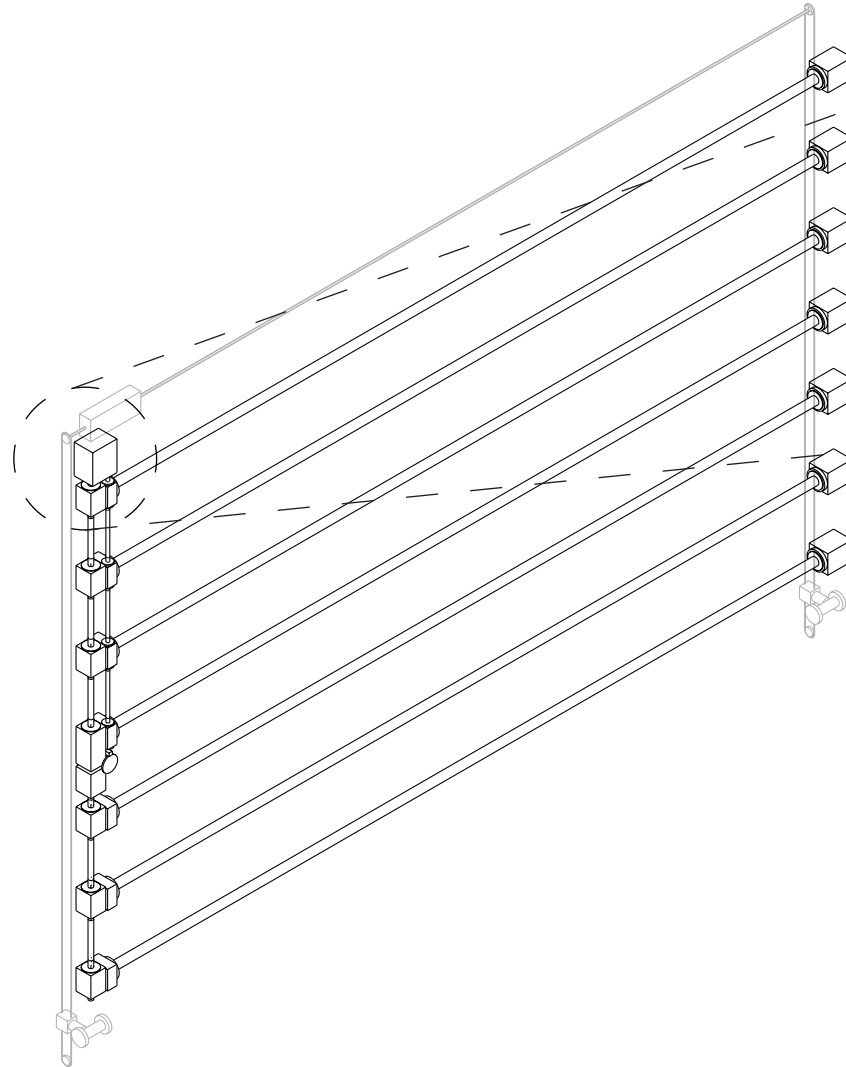
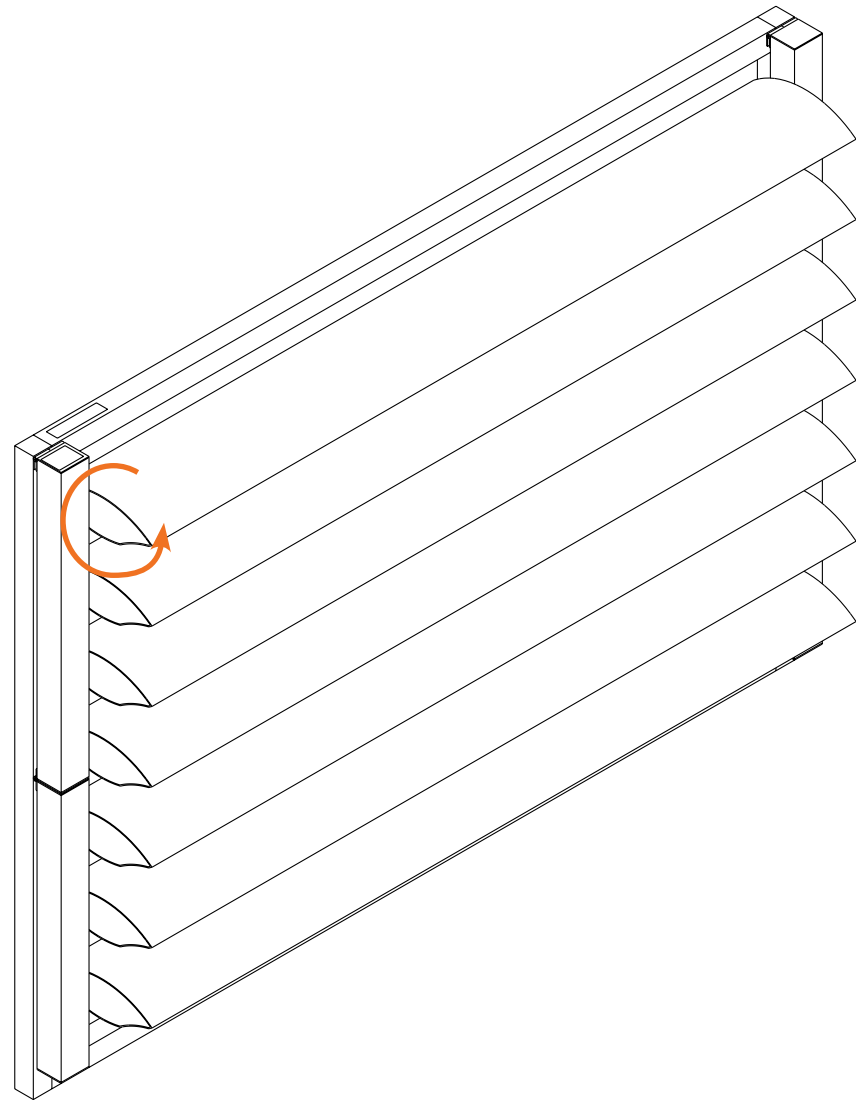
ADAPTIVE FACADE

MECHANISM TILT



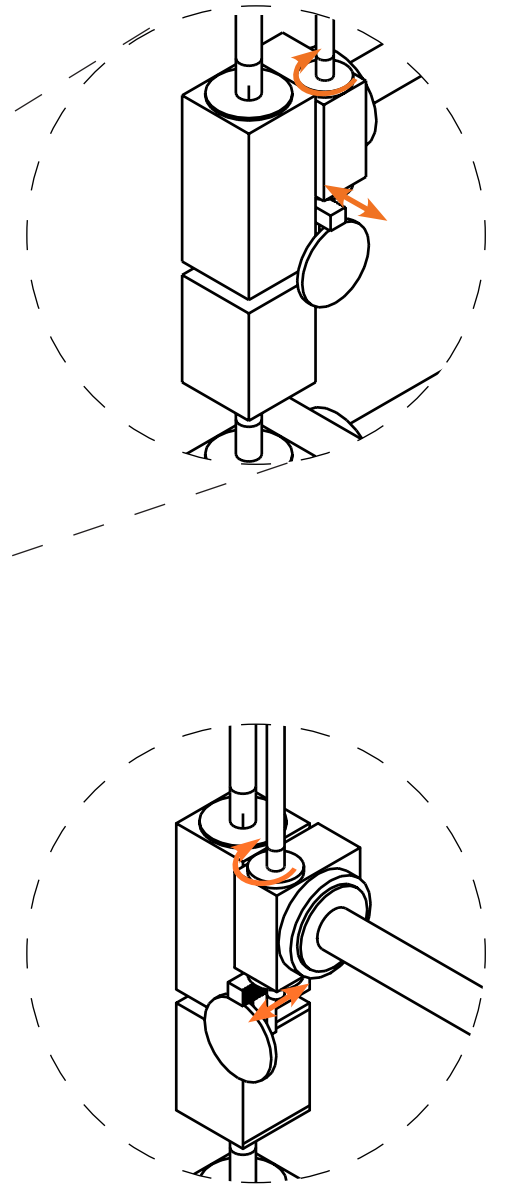
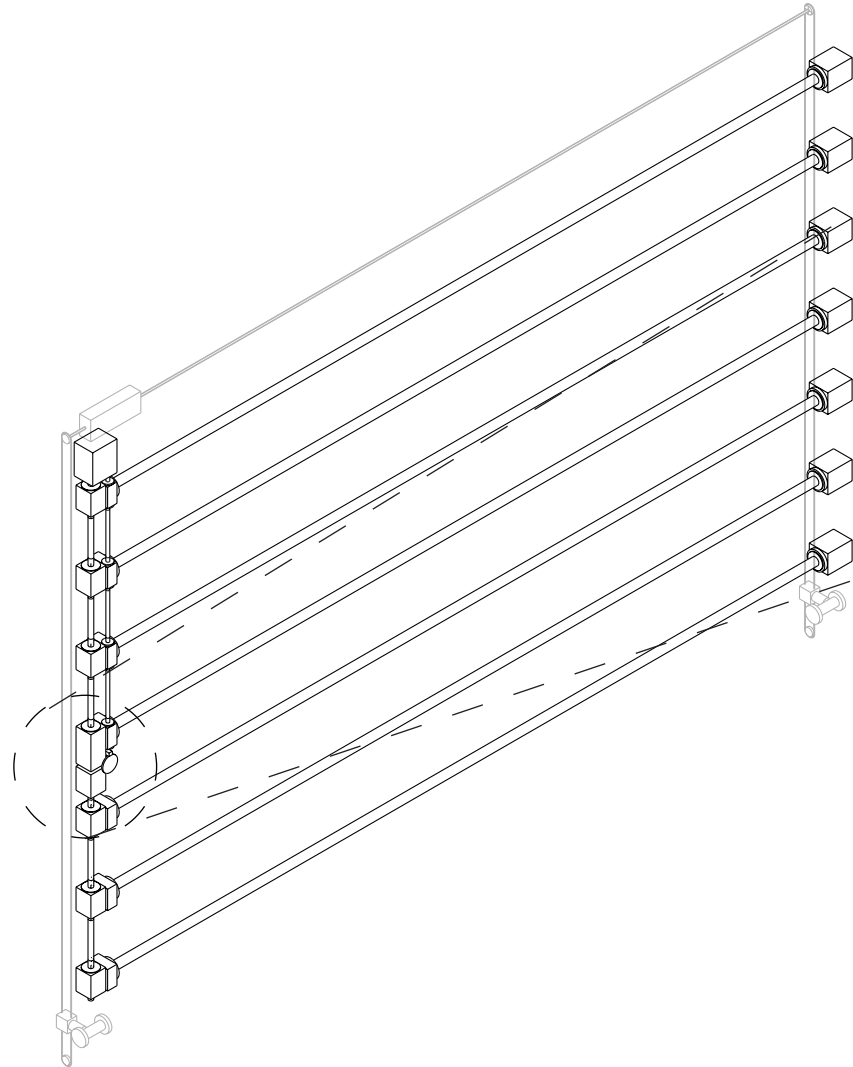
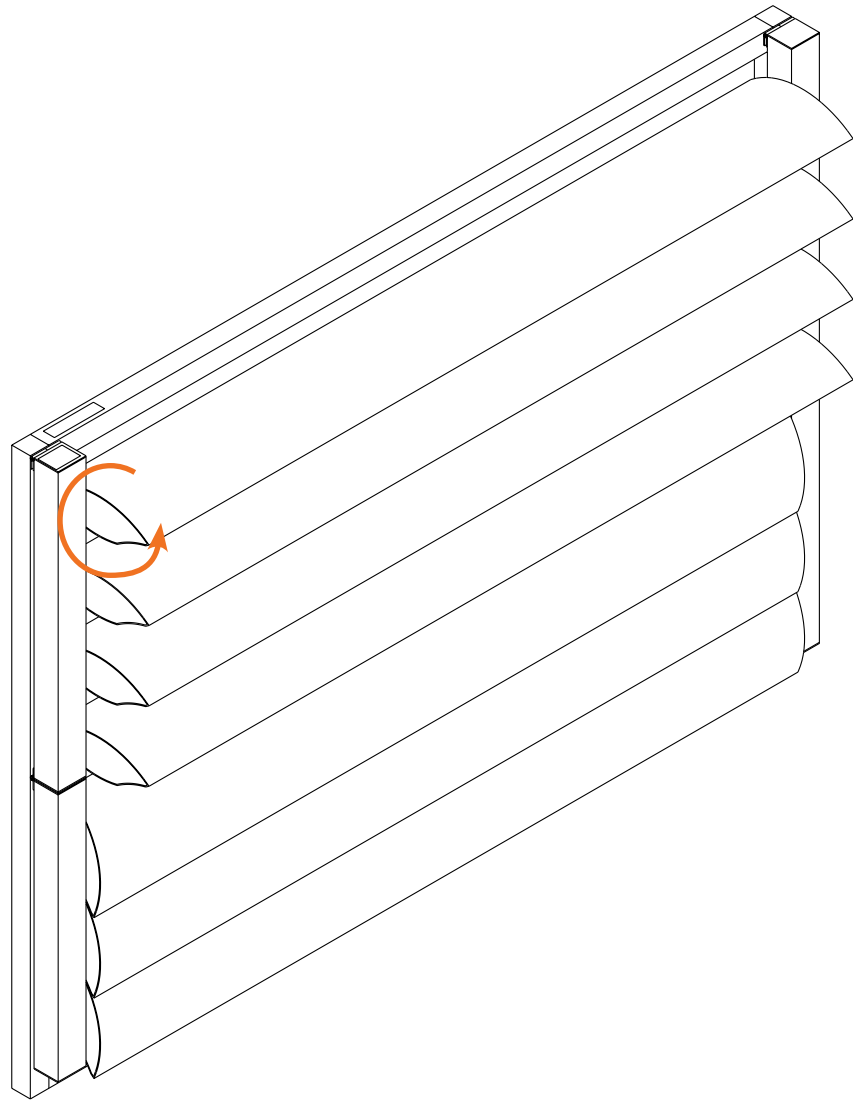
ADAPTIVE FACADE

MECHANISM TILT



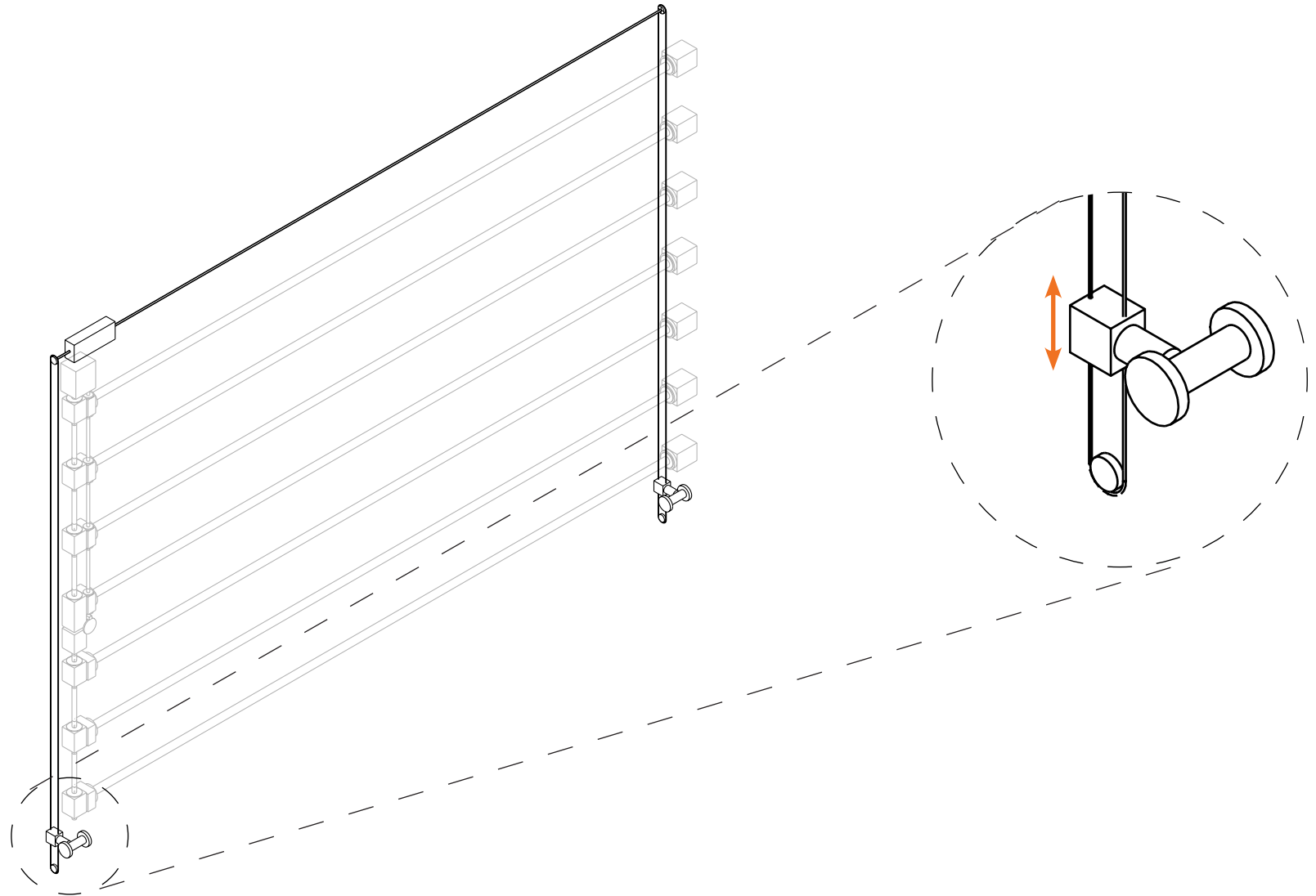
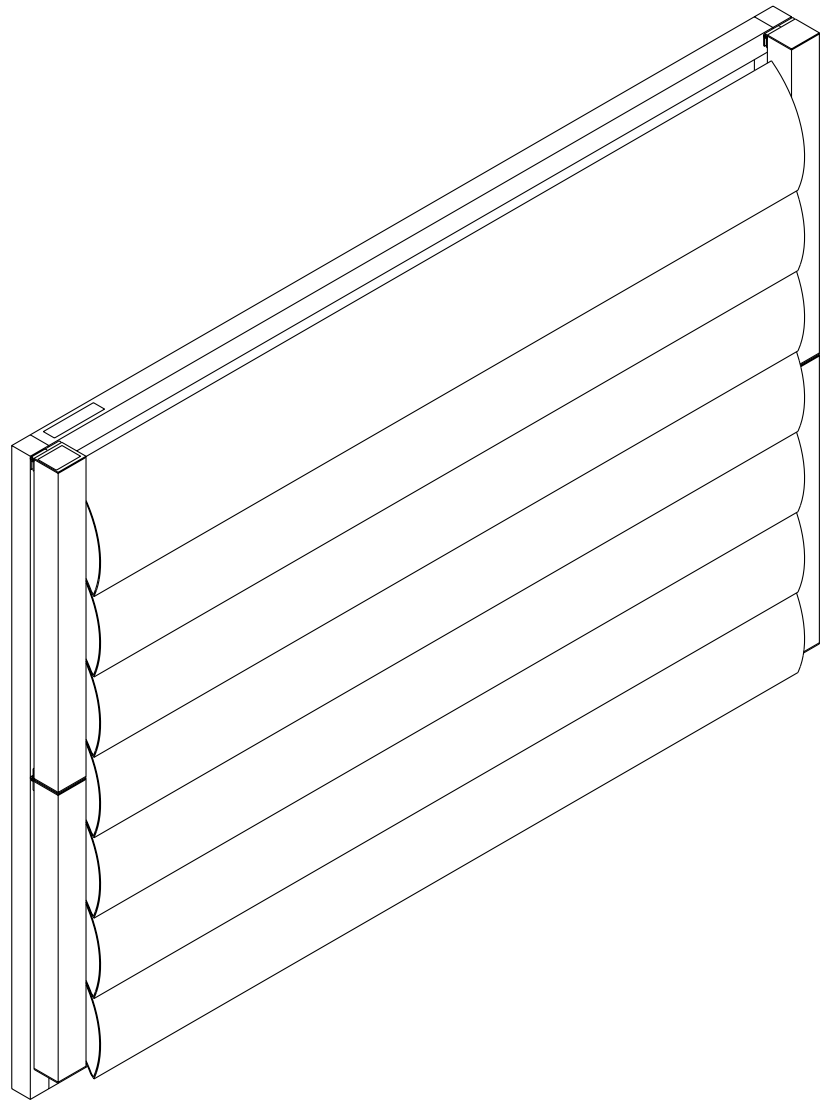
ADAPTIVE FACADE

MECHANISM TILT



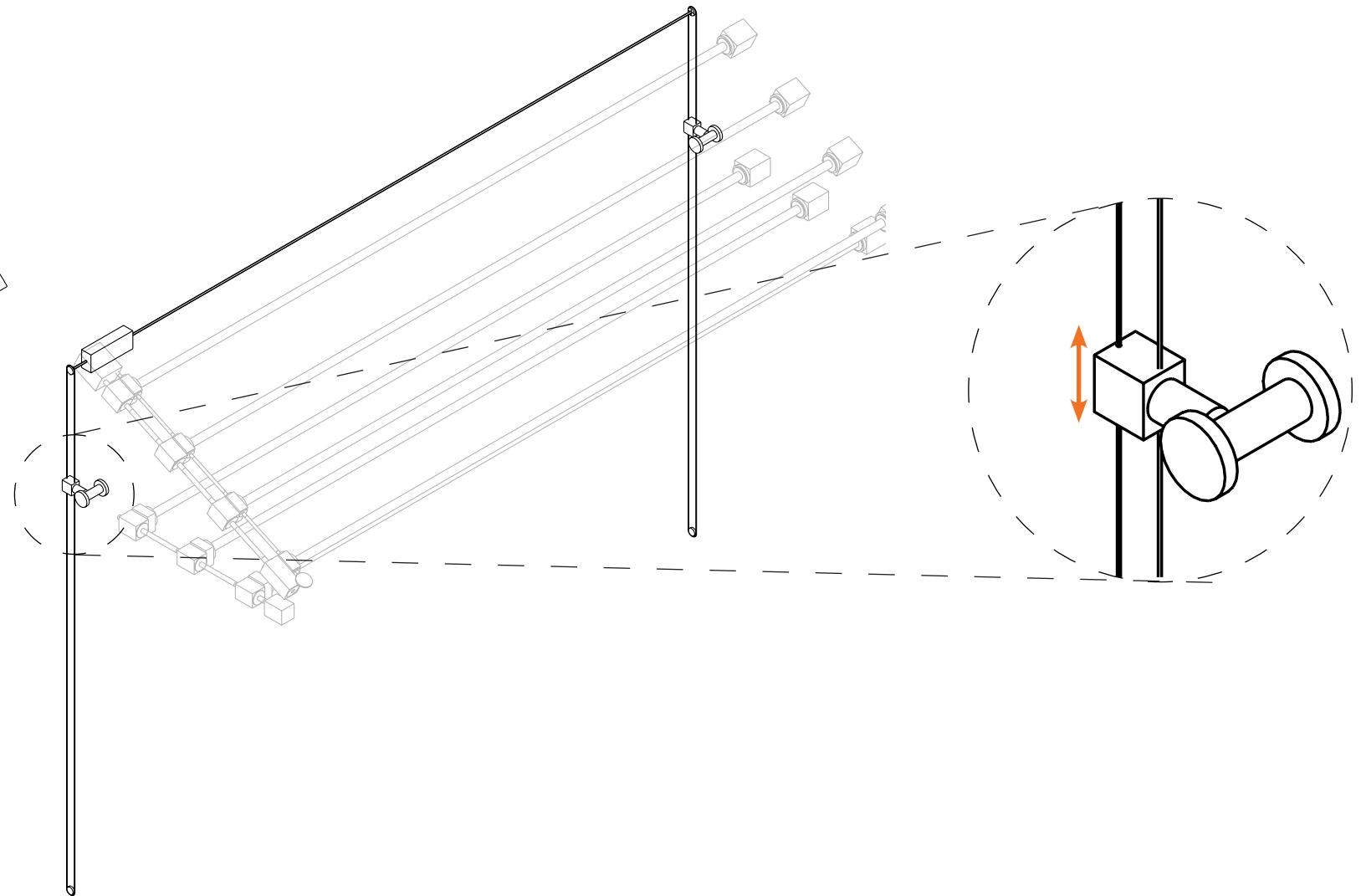
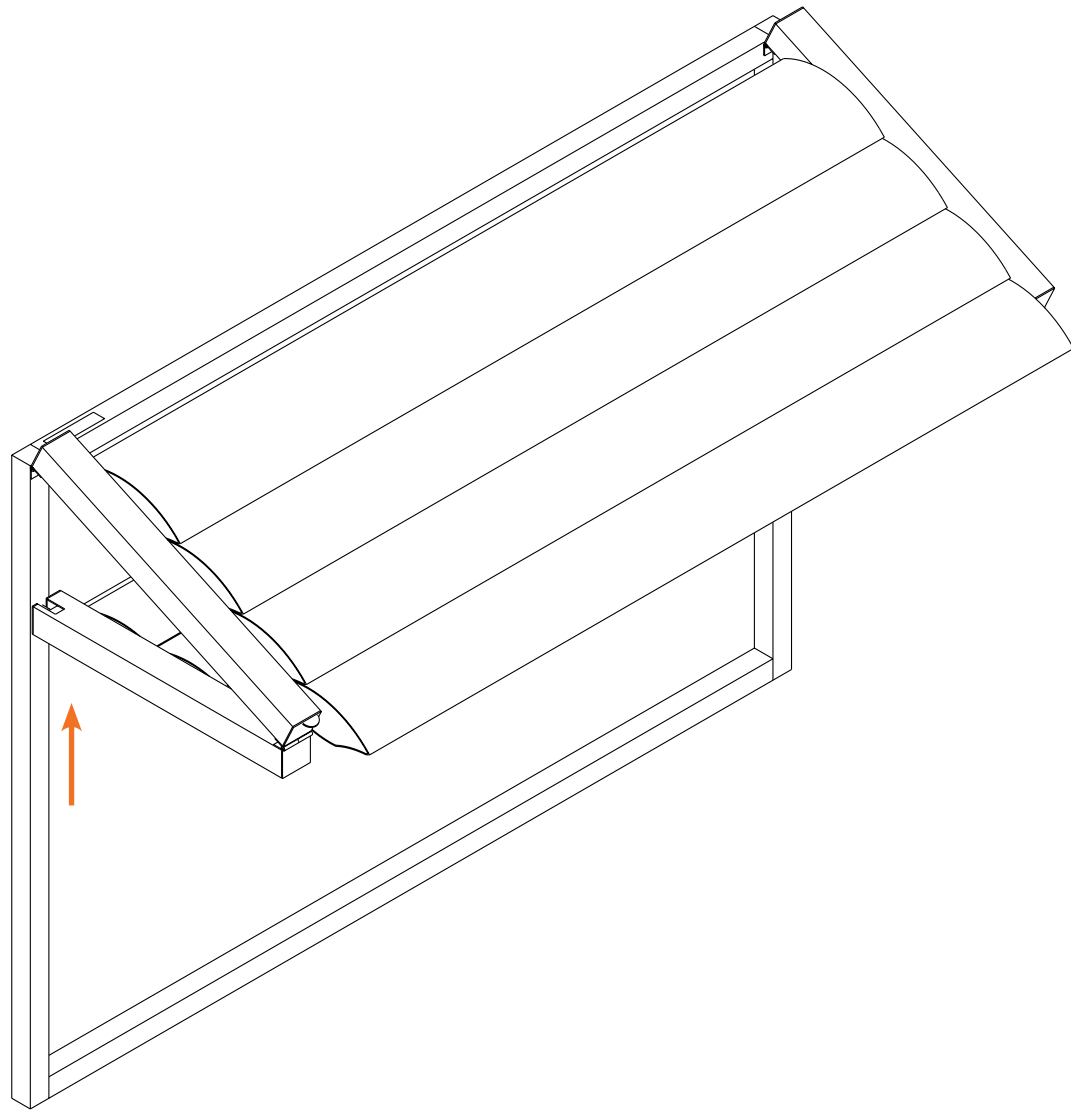
ADAPTIVE FACADE

MECHANISM FOLDING



ADAPTIVE FACADE

MECHANISM FOLDING







KLIMMUIS CENTRAAL

25

DOK