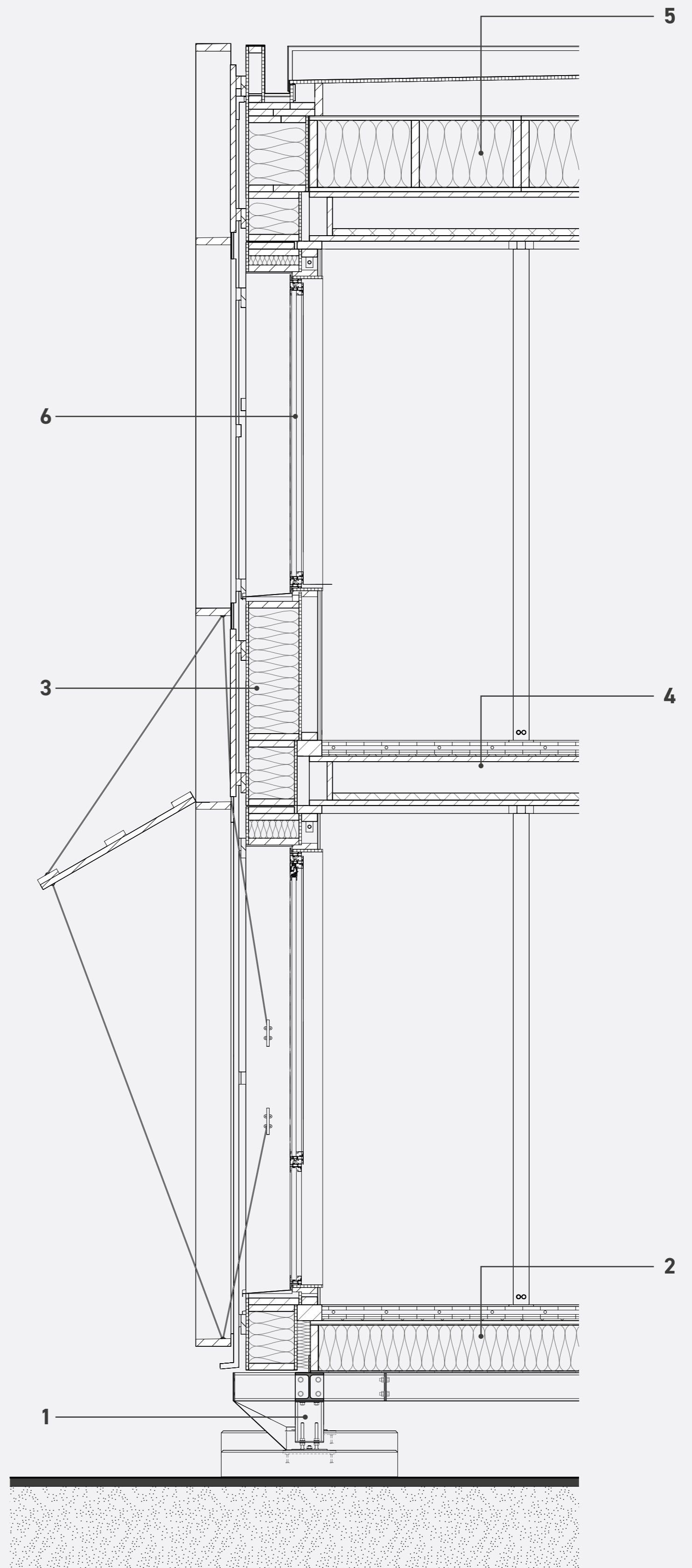


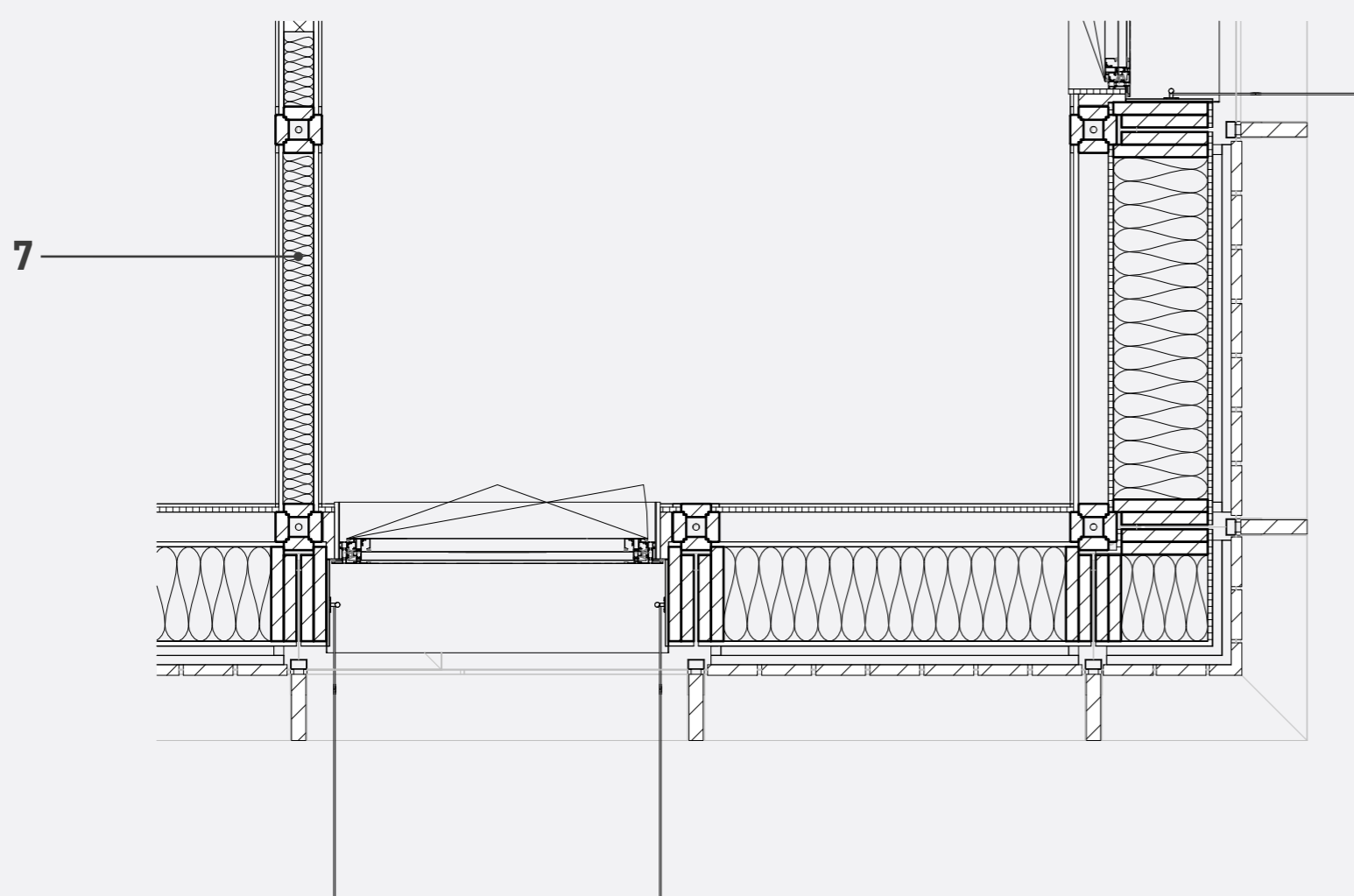
# HOSPITABLE MOVEMENT



**Facade**  
Scale 1:20



**Section**  
Scale 1:20

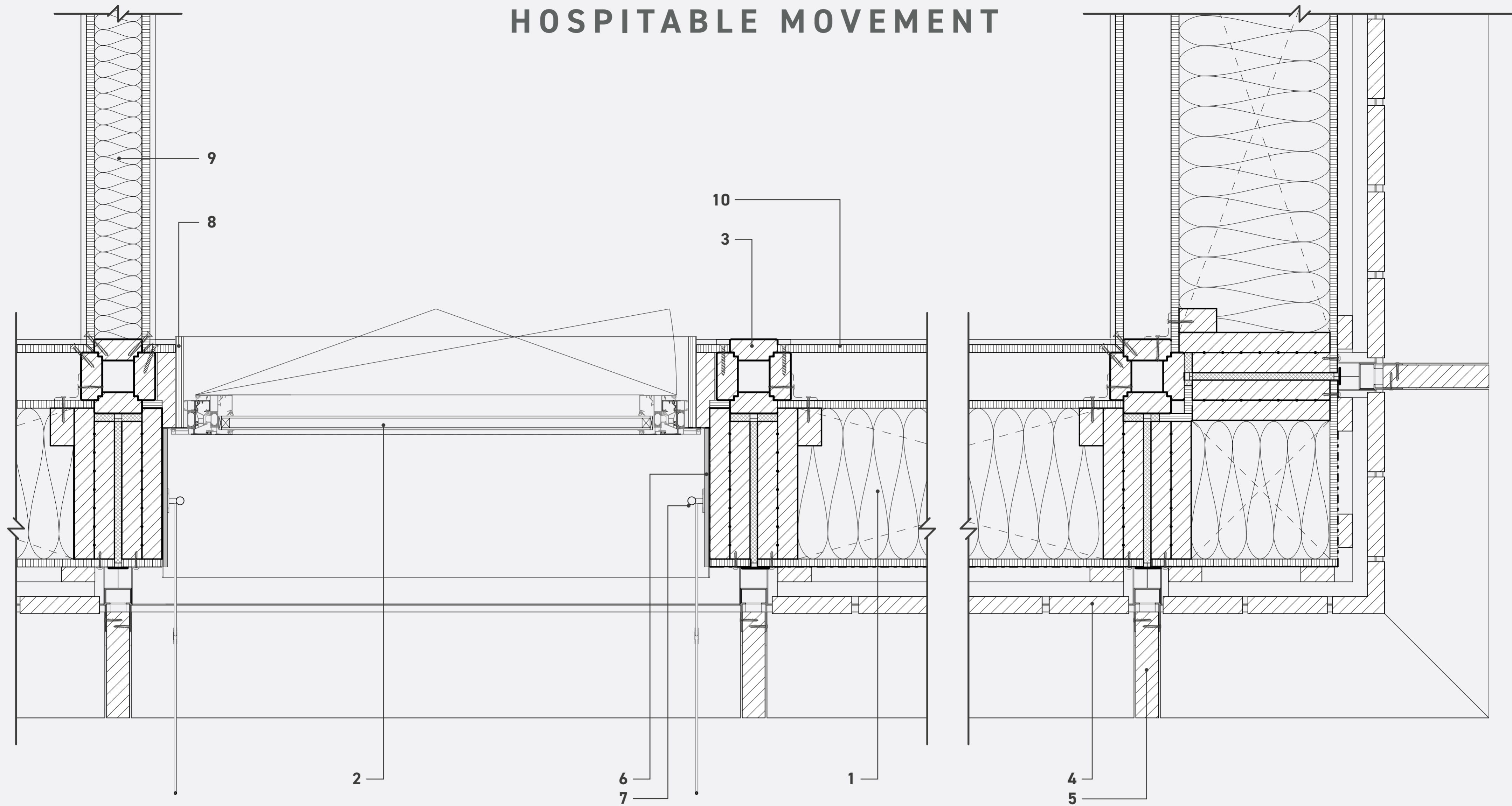


**Plan**  
Scale 1:20

## Central heart fragment

<b>1. Foundation</b>		<b>5. Roof</b>	
- Precast concrete slab	1000 × 1000 × 150 mm	- Lignatur floor element	280 mm
- Galvanized steel columns	HE-160B	- Insulated roof box element	380 mm
- Galvanized steel beams	HE-160B	- Prefabricated sloped elements	
<b>2. Ground floor</b>		<b>6. Windows</b>	
- Kerto ripa box element	293 mm	- Aluminium windows with ventilation grids	
- Floating screed floor w. heating	80 mm		
<b>3. Exterior walls</b>		<b>7. Interior walls</b>	
- Larch wood plank cladding	32 mm	- Plywood finishing	15 mm
- Larch wood frame	42 × 200 mm	- Wood-fibre insulation	90 mm
- Vapour barrier black		- Plywood finishing	15 mm
- Prefabricated facade element	308 mm		
- Installation cavity	90 mm		
- Plywood finishing	15 mm		
<b>4. First floor</b>			
- Lignatur floor element	280 mm		
- Floating screed floor	80 mm		

# HOSPITABLE MOVEMENT



## 1. Exterior wall ( $R_c > 7.0 \text{ m}^2\text{K/W}$ )

- Water repellent barrier (black)
- Plywood sheathing 12 mm
- Wood frame 38 × 285mm filled with wood fiber insulation
- Plywood sheathing 15 mm

## 2. Window

- Aluminium window RAL 7021

## 3. Column

- Hollow laminated column 140 × 140 mm
- With notches for attaching facade and interior panels

## 4. Cladding

- Larch facade cladding 32 × 150 mm
- French cleat system 28 × 55 mm
- Vertical framewerok 28 × 55 mm

## 5. Wood frame

- Aesthetic Larch wood frame 42 × 200 mm
- Connected to downspout

## 6. Window trim

- Biocomposite window trim panel

## 7. Cleat

- Cleat for securing sun shading adjustment

## 8. Window trim

- Plywood window sill 15 mm

## 9. Interior wall

- Plywood 15 mm
- Wood fiber insulation 90 mm
- Plywood 15 mm

## 10.

- Plywood interior panels 15 mm

# HOSPITABLE MOVEMENT

## 18. Window seat

- PVC corner preventing wood from showing

## 19. Wall seam

- Fill space between walls with wood fibre insulation
- Water repellent tape on seam

## 20. Facade cladding

- Larch facade cladding 32 x 150 mm
- French cleat system 28 x 55 mm
- Vertical framework 28 x 55 mm

## 21. Roof top wall element (Rc > 7.0 m<sup>2</sup>K/W)

- Wall element with prefabricated gutter
- Overflowing in gutter element

## 22. Roof insulation layer (Rc > 10.0 m<sup>2</sup>K/W)

- Kerto Ripa box floor element
- LVL panel 25 mm
- LVL structure filled with wood fibre insulation 380 mm
- LVL panel 25 mm

## 23. Roof slope element

- Prefabricated sloped element
- EPDM layer
- Plywood Sheathing 15 mm
- Wood structure, sawed to create slope 71 mm x var

## 13. Sunshading

- Larch wood sun shading element
- Hinged on wooden frame

## 14. Upper control line

- Line to control the angle of sun shading (biobased dyneema)
- Attached with a 2:1 purchase

## 15. Exterior wall (Rc > 7.0 m<sup>2</sup>K/W)

- Water repellent barrier (black)
- Plywood sheathing 12 mm
- Wood frame 38 x 285mm filled with wood fiber insulation
- Plywood sheathing 15 mm

## 16. Wood frame

- Aesthetic Larch wood frame (42 x 200 mm)

## 17. Window sill

- Plywood window sill 15 mm

## 10. Upper structural frame

- Structural frame 45 x 140 x 45 x 100 mm
- For attaching facade and interior panels

## 11. First floor

- Linoleum flooring
- Fermacell plate 20mm
- Fermacell plate with floor heating 25 mm
- Fermacell dry screed floor 30 mm
- Lignatur floor element 280 mm
- With integrated acoustic and wiring measures

## 12. Electricity cavity

- Interchangeable panel for E-sockets

## 1. Foundation

- Precast concrete slab 1000 x 1000 x 150 mm
- Contains integrated adjustability measures

## 2. Steel column

- HE160-B adjusted on threaded rod

## 3. Webbing

- Cloth webbing for reducing rouble under building

## 4. Steel beams

- HE160-B
- Combined with crosslinks (HE160-B)

## 5. Downspout

- Zinc downspout, half open

## 6. Ground floor (Rc > 7.0 m<sup>2</sup>K/W)

- Linoleum flooring
- Fermacell plate 20mm
- Fermacell plate with floor heating 25 mm
- Fermacell dry screed floor 30 mm
- Kerto Ripa floor element 25 | 260 | 8 mm
- Wood fiber insulation 260 mm
- Cempanel 8 mm

## 7. Window

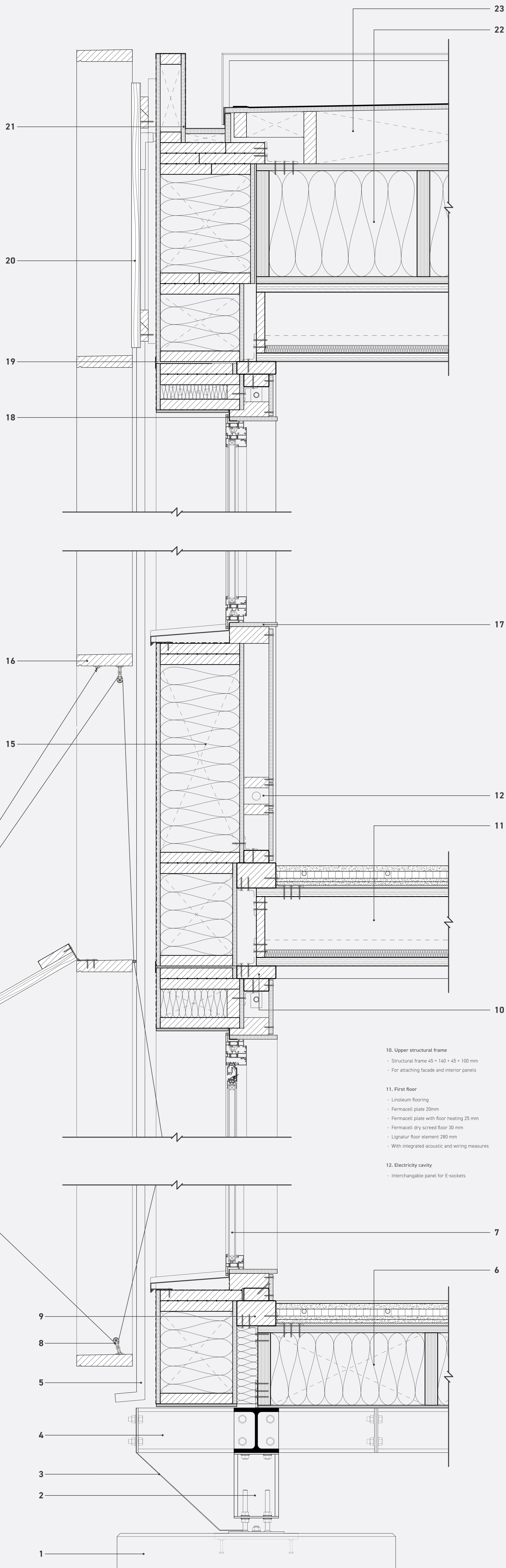
- Aluminium window with ventilation grid

## 8. Hatch block

- Block for controlling lower retaining line sunshading

## 9. Lower structural frame

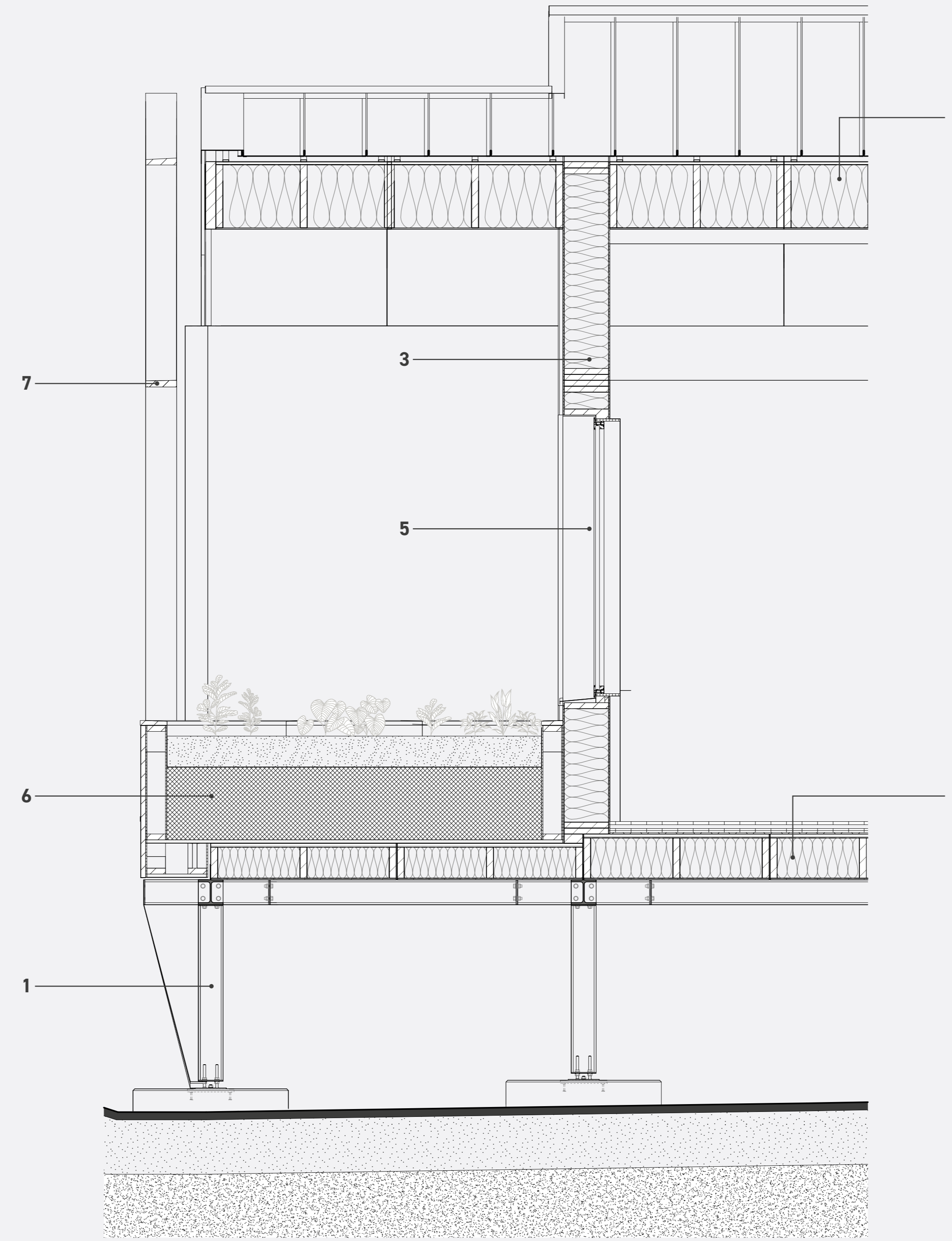
- Structural frame 90 x 140 x 45 x 100 mm
- For attaching facade and interior panels



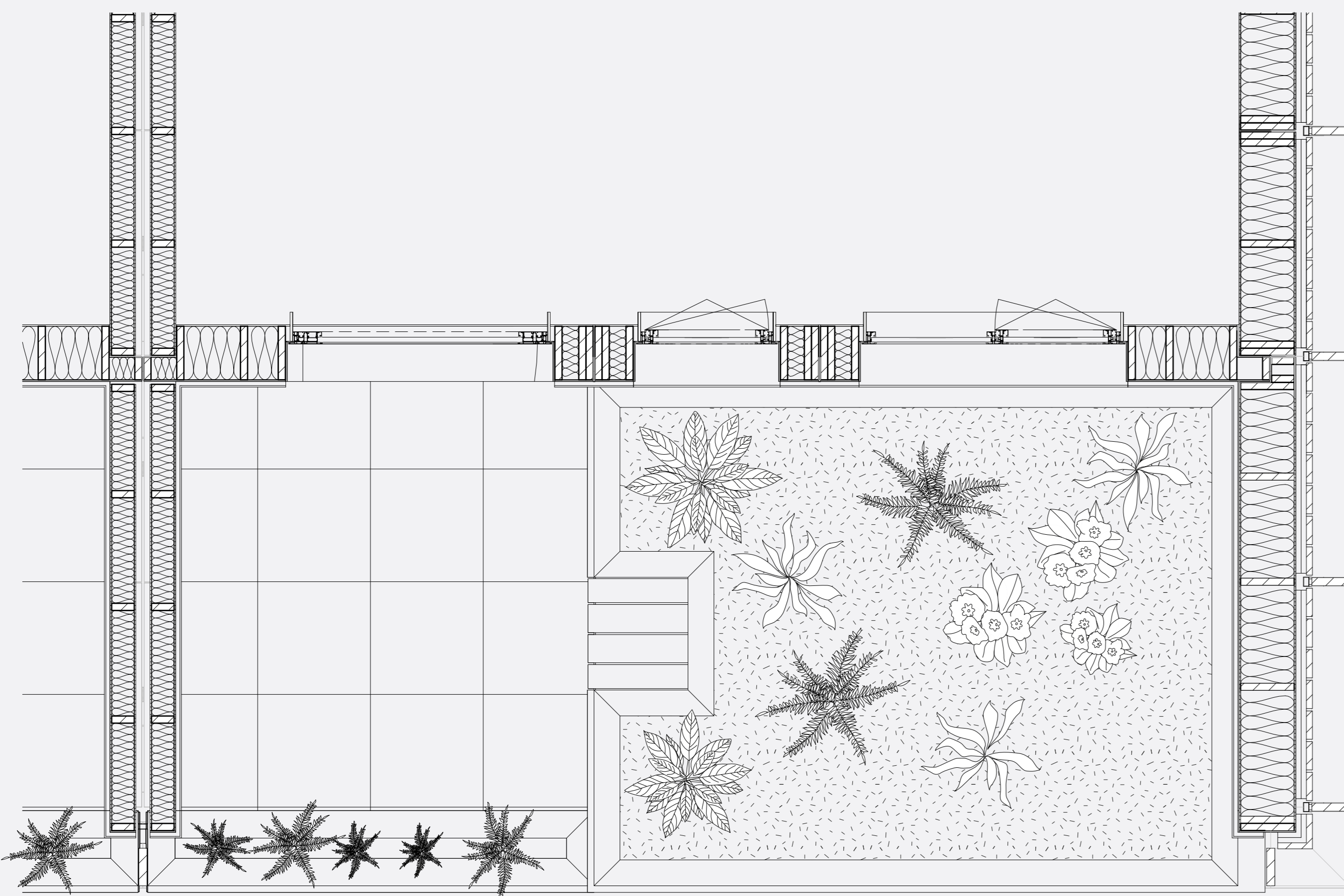
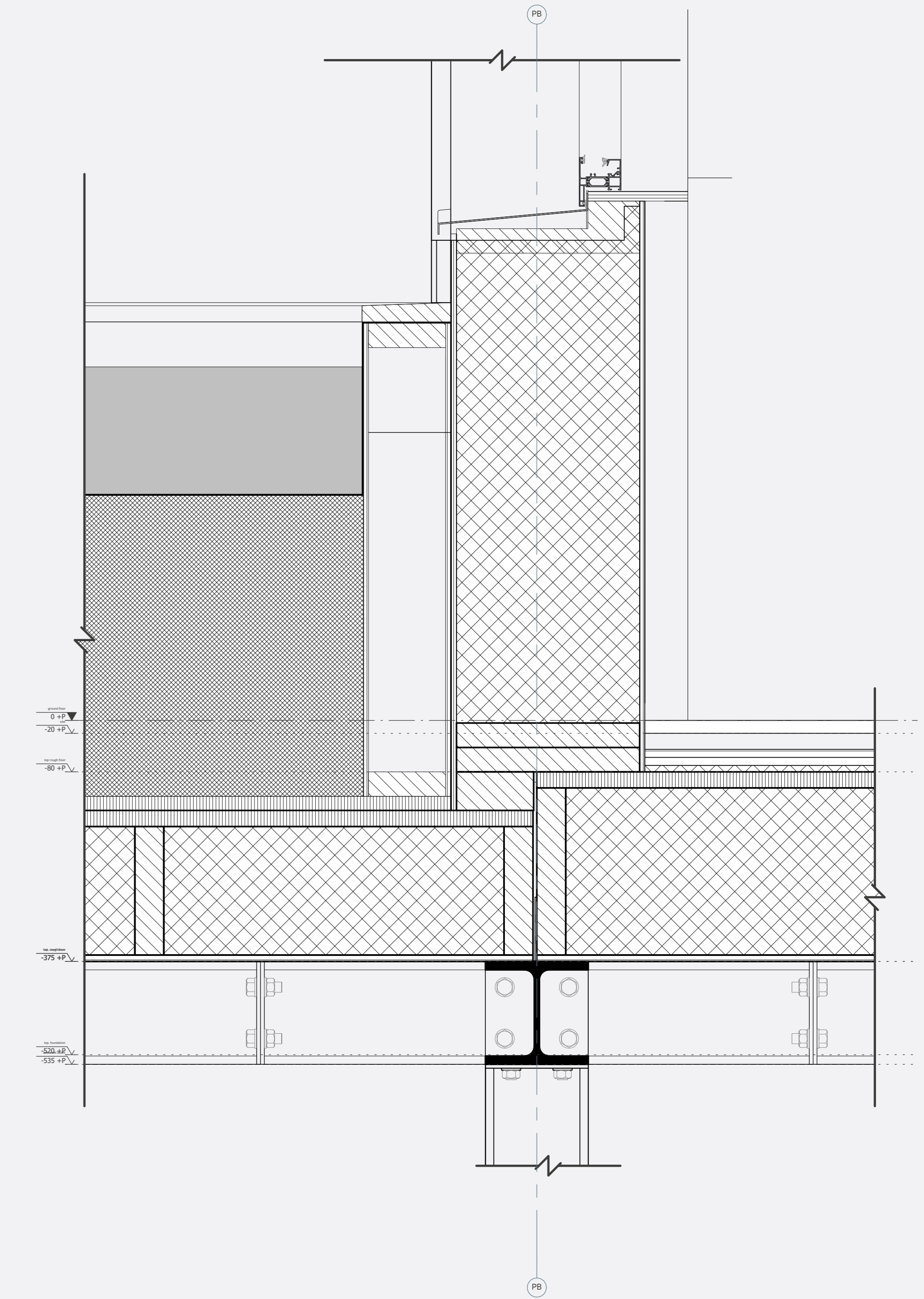
# HOSPITABLE MOVEMENT



**Facade**  
Scale 1:20



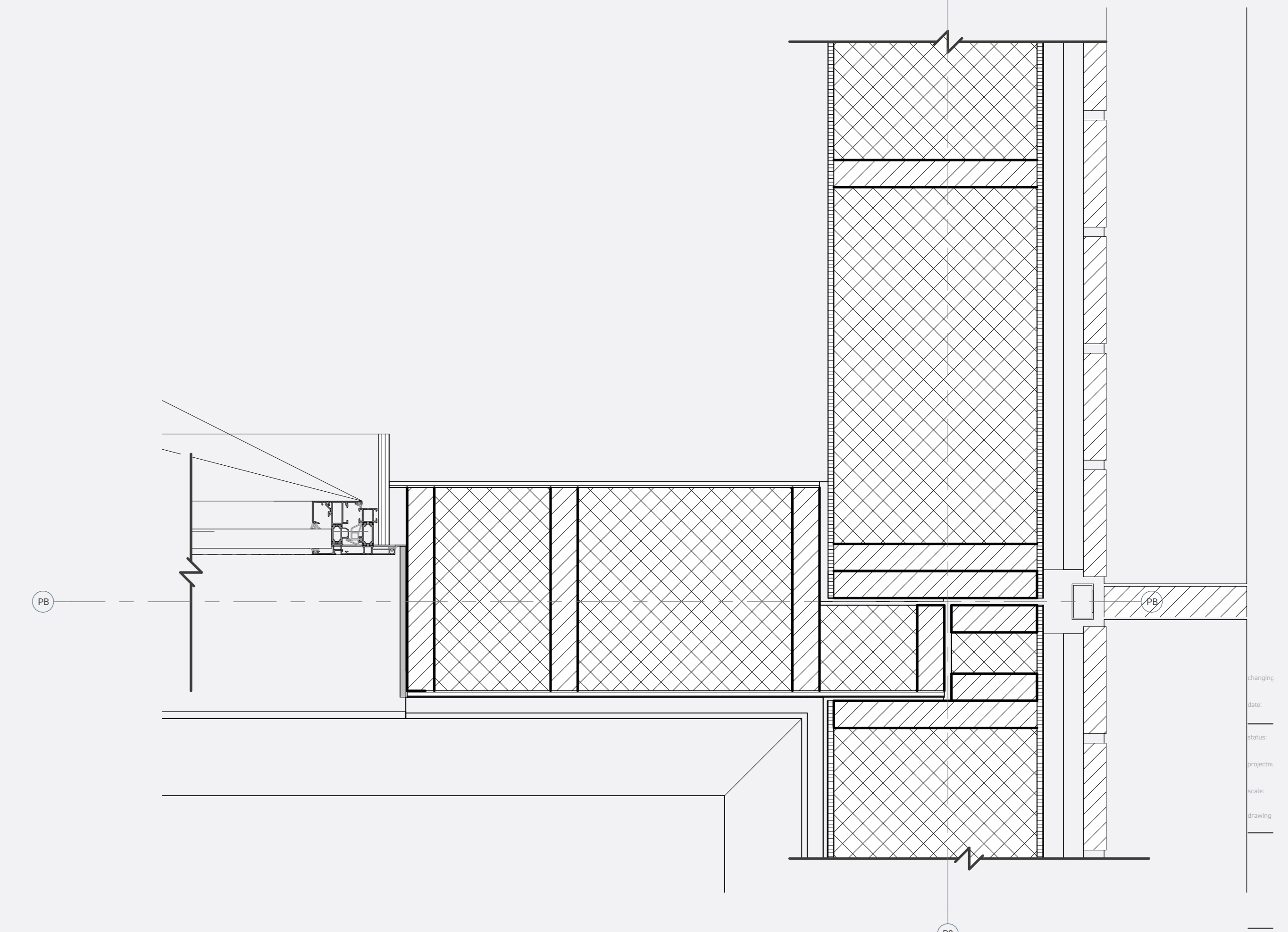
**Section**  
Scale 1:20



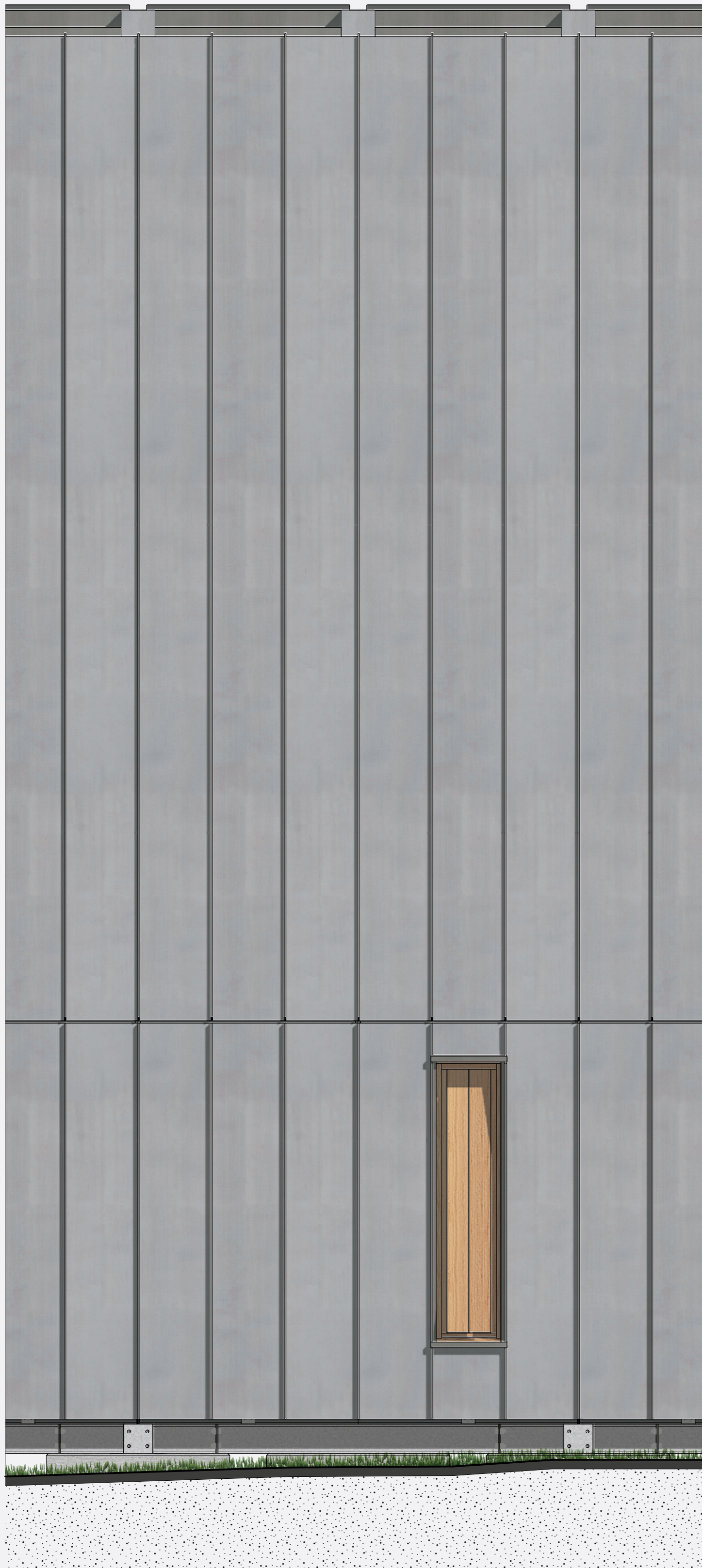
**Plan**  
Scale 1:20

## Hospice rooms fragment

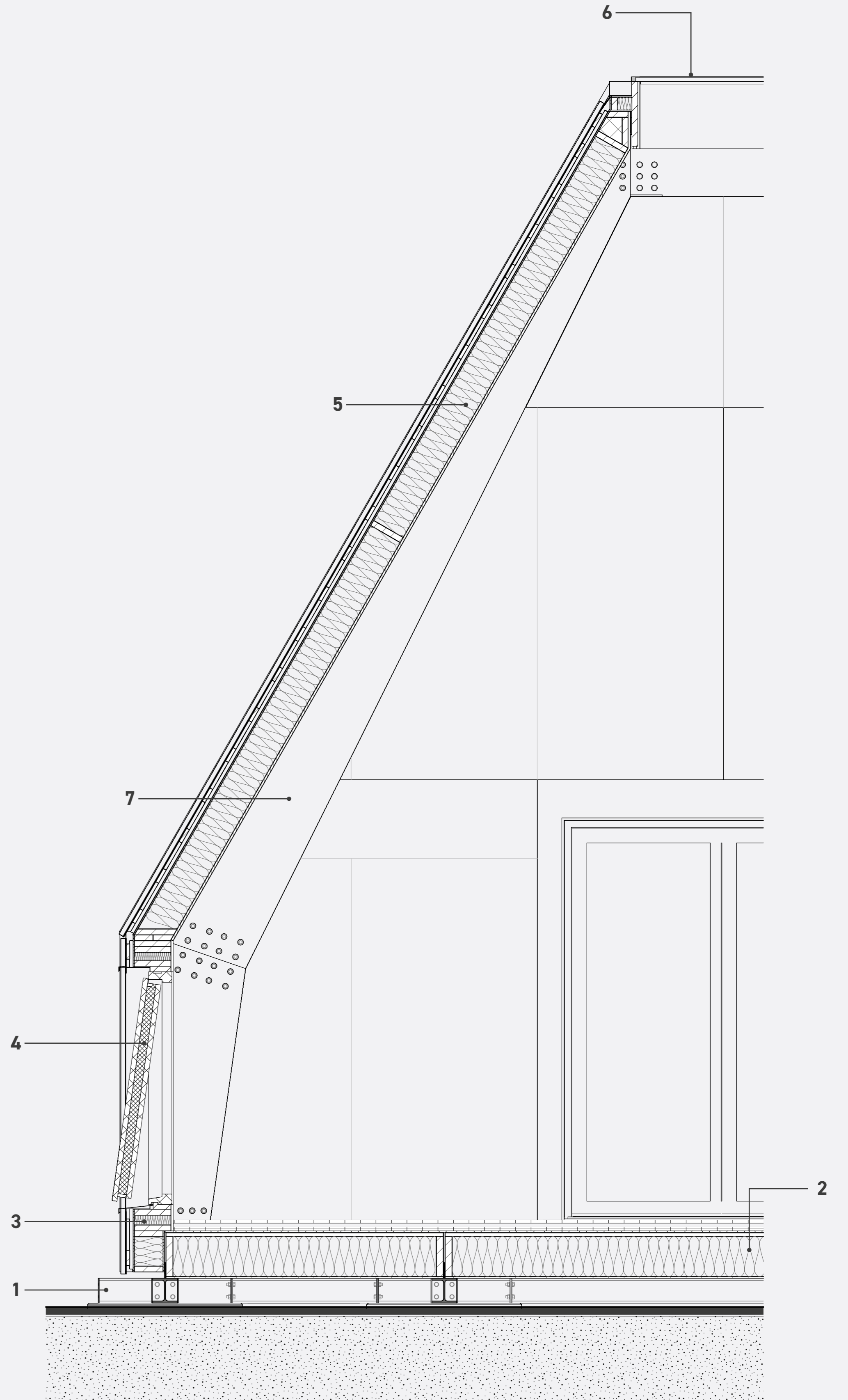
<b>1. Foundation</b>		<b>4. Roof</b>	
- Precast concrete slab	1000 × 1000 × 150 mm	- Insulated roof box element	380 mm
- Galvanized steel columns	HE-160B	- Substructure	44 mm
- Galvanized steel beams	HE-160B	- ClickZinc cladding	35 mm
<b>2. Ground floor</b>		<b>5. Windows</b>	
- Kerto ripa box element	293 mm	- Aluminium windows with ventilation grids	
- Floating screed floor w. heating	80 mm	<b>6. Planter</b>	
<b>3. Exterior walls</b>		- Prefabricated planter w. integrated seat	
- biocomposite cladding	8 mm	<b>7. Frame</b>	
- Substructure	44 mm	- Larch frame   sun shading	42 × 200 mm
- Vapour barrier black			
- Prefabricated facade element	308 mm		
- Installation cavity	90 mm		
- Plywood finishing	15 mm		



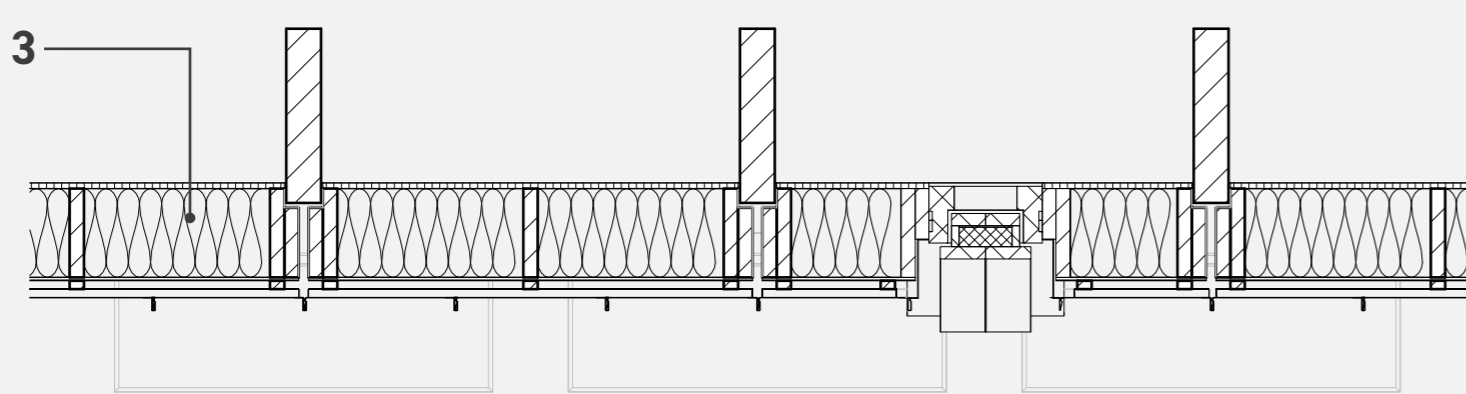
# HOSPITABLE MOVEMENT



**Facade**  
Scale 1:20



**Section**  
Scale 1:20



**Plan**  
Scale 1:20

## Ritual space fragment

<b>1. Foundation</b>		<b>5. Roof</b>	
- Precast concrete slab	1000 × 1000 × 150 mm	- Klickzinc Cladding	35 mm
- Galvanized steel beams	HE-160B	- Substructure	
		- Vapour barrier black	
<b>2. Ground floor</b>		- Insulated roof box element	380 mm
- Kerto ripa box element	293 mm		
- Floating screed floor	80 mm	<b>6. Rooflight</b>	
		- Rooflight	1000 × 1000 mm
<b>3. Exterior walls</b>		<b>7. Structure</b>	
- KlickZinc cladding	35 mm	- Glulam truss	90 × 550 mm
- Substructure			
- Vapour barrier black			
- Prefabricated facade element	385 mm		
<b>4. Openable window</b>			
- Movable sandwich panel (Oak)			
- Oak window frame			