

**Experimental And Theoretical Investigation Of Natural Convection In CCS  
Onset Time, Mass-Transfer Rate, Capillary Transition Zone, And Heat Of Dissolution**

Eftekhari, Ehsan; Farajzadeh, Rouhi; Bruining, Hans

**DOI**

[10.3997/2214-4609.201802958](https://doi.org/10.3997/2214-4609.201802958)

**Publication date**

2018

**Document Version**

Final published version

**Published in**

Proceedings of the Fifth CO<sub>2</sub> Geological Storage Workshop

**Citation (APA)**

Eftekhari, E., Farajzadeh, R., & Bruining, H. (2018). Experimental And Theoretical Investigation Of Natural Convection In CCS: Onset Time, Mass-Transfer Rate, Capillary Transition Zone, And Heat Of Dissolution. In *Proceedings of the Fifth CO<sub>2</sub> Geological Storage Workshop* Article We CO<sub>2</sub> 10 EAGE. <https://doi.org/10.3997/2214-4609.201802958>

**Important note**

To cite this publication, please use the final published version (if applicable).  
Please check the document version above.

**Copyright**

Other than for strictly personal use, it is not permitted to download, forward or distribute the text or part of it, without the consent of the author(s) and/or copyright holder(s), unless the work is under an open content license such as Creative Commons.

**Takedown policy**

Please contact us and provide details if you believe this document breaches copyrights.  
We will remove access to the work immediately and investigate your claim.

***Green Open Access added to TU Delft Institutional Repository***

***'You share, we take care!' – Taverne project***

**<https://www.openaccess.nl/en/you-share-we-take-care>**

Otherwise as indicated in the copyright section: the publisher is the copyright holder of this work and the author uses the Dutch legislation to make this work public.

We CO2 10

## Experimental And Theoretical Investigation Of Natural Convection In CCS: Onset Time, Mass-Transfer Rate, Capillary Transition Zone, And Heat Of Dissolution

A.A. Eftekhari<sup>1,2\*</sup>, R. Farajzadeh<sup>2</sup>, H. Bruining<sup>2</sup>

<sup>1</sup>Technical University of Denmark, <sup>2</sup>Delft University of Technology

### Summary

---

We study the enhanced mass transfer of CO<sub>2</sub> in water for a CO<sub>2</sub> saturated layer on top of a water saturated porous medium, experimentally and theoretically. A relatively large experimental set-up with a length of 0.5 m and a diameter of 0.15 m is used in pressure decay experiments to minimize the error of pressure measurement due to temperature fluctuations and small leakages. The experimental results were compared to the theoretical result in terms of onset time of natural convection and rate of mass transfer of CO<sub>2</sub> in the convection dominated process. In addition, a non-isothermal multicomponent flow model in porous media, is solved numerically to study the effect of the heat of dissolution of CO<sub>2</sub> in water on the rate of mass transfer of CO<sub>2</sub>. The effect of the capillary transition zone on the rate of mass transfer of CO<sub>2</sub> is also studied theoretically. The simulation results including the effect of the capillary transition zone show a better agreement with experimental results compared to the simulation result without considering a capillary transition zone. The simulation results also show that the effect of heat of dissolution on the rate of mass transfer is negligible

## Introduction

Current concern with climate change has increased interest in the usage of low and zero CO<sub>2</sub> emission energy resources. But replacing fossil fuels by sustainable energy resources is a gradual process and cannot be attained in the near future. In the meantime, other measures must be explored and taken to slow down the increasing rate of CO<sub>2</sub> concentration in the atmosphere, which is caused by the combustion of fossil fuels. One of the proposed methods is to separate the CO<sub>2</sub> from flue gas and to store it in geological formations, e.g., injection of supercritical CO<sub>2</sub> into aquifers. The state of the art technology for the separation of CO<sub>2</sub> is amine chemisorption which is effective but very energy intensive. The pipeline transport and injection of supercritical CO<sub>2</sub> requires gas compression, which is among the most energy intensive processes. In average, CO<sub>2</sub> separation from flue gas requires between 2.5 to 4 MJ/kg CO<sub>2</sub> and CO<sub>2</sub> transport via a 150 km pipeline and supercritical aquifer injection requires around 1 MJ/kg CO<sub>2</sub>. Coal, with roughly a hydrogen/carbon ratio of one, has 0.088 kg CO<sub>2</sub>/MJ while methane with a hydrogen/carbon ratio of four, has 0.055 kg CO<sub>2</sub> /MJ, i.e., the largest and smallest carbon dioxide production per unit combustion energy, respectively. Thus a maximum amount of 44% of coal combustion energy and 27% of methane combustion energy are required to achieve the zero emission usage of those fossil fuels, when combined with carbon capture and storage (CCS). Using this high percentage of energy resource cannot be rationalized unless the effectiveness of aquifer storage is demonstrated, i.e., to prove that injected CO<sub>2</sub> will be stored safely underground for a long period of time (Metz, 2005).

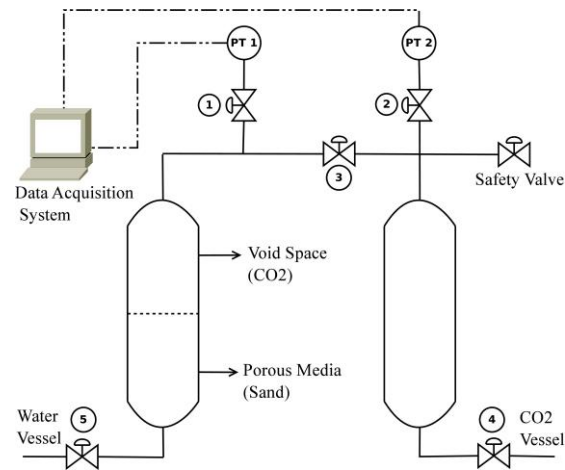
Previously the density-driven convection of CO<sub>2</sub> in water, which is one of the methods that can ensure the long-term storage of CO<sub>2</sub>, has been studied experimentally and theoretically. The experimental work, which is not as extensive as the theoretical work on this topic, can be subdivided into two main categories: visualization of fingers by using a Hele-Shaw cell (Faisal et al., 2013; Khosrokhavar et al., 2011; Kneafsey and Pruess, 2010; Mojtaba et al., 2014), and quantification of the dissolution rate in pressure decay or constant pressure experiments in sand packs (Emami-Meybodi et al., 2015; Khosrokhavar et al., 2015; Nazari Moghaddam et al., 2012). The goal of the visualization experiments is to show the instability in the water saturated with CO<sub>2</sub> overlaying a pure water layer and to visualize the formation, initiation, and development of fingers. The major shortcoming of the visualization experiments is the very high permeability of the setup, i.e., several orders of magnitude higher than the permeability of an aquifer. The pressure decay experiments are also conducted in small setup, where the measurements can be easily affected by small leakage. Moreover, the system is usually designed such that only half of the vessel is filled with water saturated sand pack and CO<sub>2</sub> is on the top empty space. This eliminates the important capillary-gravity equilibrium between the two phases and its large effect on the mass transfer rate; see, e.g., (Elenius et al., 2012; Li et al., 2013; Meybodi and Hassanzadeh, 2013).

Here, our objectives of performing the pressure decay experiments are as follows: first, we measure the mass transfer rate of CO<sub>2</sub> in water in a relatively large vessel to reduce the sensitivity of the measurements to small amounts of leakage or temperature fluctuations. These effects are minimized by using a large volume of CO<sub>2</sub> on top of the water saturated porous medium. In addition, by increasing the height of the water layer, we can decrease the permeability of the porous medium to lower (and more realistic) values without changing the Rayleigh number. We also quantify the effect of various rock parameters on the onset time and rate of dissolution and provide experimental data that is missing in the literature. In the theoretical part of this work, we include the effect of heat of dissolution of CO<sub>2</sub> on the rate of mass transfer of CO<sub>2</sub> into water by solving a non-isothermal convection-diffusion equation. We also study the effect of capillary transition zone on the rate of mass transfer.

## Experimental method

The experimental set up, shown in Fig., consists of an stainless steel vessel with an inside diameter of 15.24 cm (6 inches) and a height of 62.23 cm (24.5 inches) (see Fig. 1). It is positioned vertically in an oven with a temperature control accuracy of 1 K. The top opening of the vessel is connected to a

pressure transducer with an accuracy of 0.001 bar. The pressure is recorded by data acquisition software every 20 seconds. The experimental procedure is as follows: first, the vessel is completely filled with known mass of sand with a known particle size distribution. To ensure that the sand particles are completely packed, the vessel is shaken by hammering the wall for 30 minutes. The vessel is mounted in the oven and filled with helium at 8 bar. We use the helium detector to check the connections for the leakage. Then we record the helium pressure for 24 hours. If there is no pressure decline (negligible leakage) we flush the sand pack with CO<sub>2</sub> for 10 minutes. Then, we connect the set up to a vacuum pump at -0.9 barg (0.1 bar) for 24 hours. Then a known mass of water is injected through valve 5 to saturate approximately between half to two third of the sand pack. The vacuuming step is necessary to prevent the formation of bubbles of gas in the water saturated zone. Normally, the vacuum in the vessel is enough to suck water inside. In case it cannot transfer the water to the vessel, a piston pump is used to inject the water. The second vessel is filled with CO<sub>2</sub> at 100 bar. We leave the set-up in the oven for 12 hours to reach thermal equilibrium at constant temperature of 35°C. When the system reached thermal equilibrium, we start the data acquisition system and inject CO<sub>2</sub> into the vessel through valve 3 up to a pressure of around 50 bar. We try to do the injection as slow as possible to minimize the adiabatic expansion effect. The pressure is recorded every 20 seconds for around 5-7 days, depending on the rate of pressure decline.



**Figure 1** Schematic representation of the experimental set-up.

## Mathematical model

The saturation of water and gas above the free water (phreatic) level ( $p_c = 0$ ) is considered to be the result of balance between the capillary and gravity forces disregarding the viscous forces due to natural convection flow. The capillary-gravity equilibrium relation reads

$$p_c(S_w) = (\rho_w - \rho_g)gz \quad (1)$$

where  $p_c(S_w)$  [Pa] is the capillary pressure, which is a function of the liquid saturation;  $\rho_w$  [kg/m<sup>3</sup>] and  $\rho_g$  [kg/m<sup>3</sup>] are the densities of the liquid phase and the gas phase, and  $z$  [m] is the vertical position relative to the free water (phreatic) level. The capillary pressure data are taken from the number 13 of Plug and Bruining (Plug and Bruining, 2007), which is formulated in terms of

$$p_c(S_w) = \gamma\sigma\sqrt{\frac{\phi}{k}} \left( \frac{1 - S_{wc}}{1 - S_{wc}} \right)^{\frac{1}{\lambda_s}} \left( \frac{S_w - S_{wc}}{1 - S_{wc}} \right)^{-\frac{1}{\lambda_s}} \quad (2)$$

Here,  $\sigma$  [N/m] is the interfacial tension of CO<sub>2</sub>-water,  $S_{wc}$  is the connate water saturation,  $S_w$  is the liquid saturation,  $\lambda_s$  is the sorting factor, and  $\gamma$  is a constant usually taken equal to 0.5. By substituting  $p_c$  from Eq. (2) in Eq. (1), we can calculate the liquid saturation  $S_w$  as a function of  $z$ , for a log-normal random permeability field with a known Dykstra-Parsons coefficient and correlation length.

The mass balance equation for the non-isothermal flow CO<sub>2</sub>-water mixture in porous media (after simplifications) is described by the flowing equations:

$$\varphi \frac{\partial c_{\text{CO}_2}}{\partial t} + \nabla \cdot (c_{\text{CO}_2} \mathbf{u} - \varphi \mathcal{D} \nabla c_{\text{CO}_2}) = 0, \quad (3)$$

$$\nabla \cdot \left( \frac{k}{\mu} \nabla p \right) = \nabla \cdot \left[ \frac{k}{\mu} \left[ (\beta_c - 1) M_{\text{water}} + M_{\text{CO}_2} \right] c_{\text{CO}_2} + \frac{M_{\text{water}}}{v_{\text{water}}} \mathbf{g} \right], \quad (4)$$

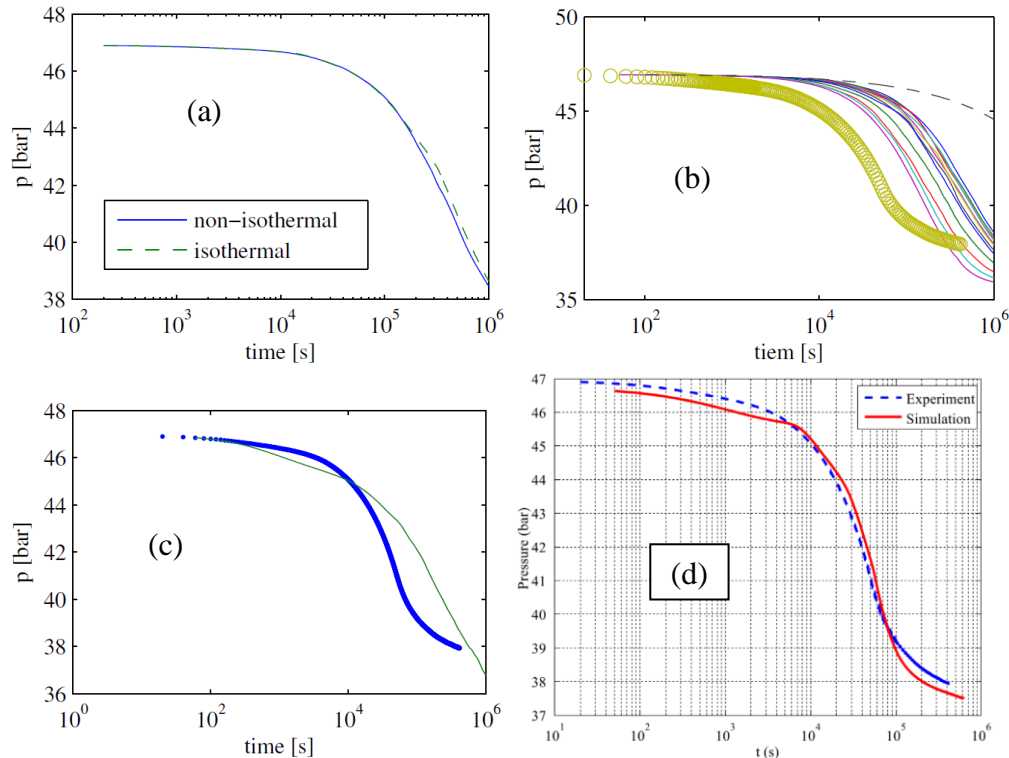
$$\alpha \frac{\partial T}{\partial t} + \nabla \cdot \left[ - \left( \sum_i \hat{c}_{p,i} \varphi \mathcal{D}_i \nabla c_i \right) T \right] + \nabla \cdot [-\lambda \nabla T] + \nabla \cdot \left[ \left( \mathbf{u} \sum_i c_i \hat{c}_{p,i} \right) T \right] + S = 0, \quad (5)$$

$$\alpha = \varphi (c_{\text{CO}_2} \hat{c}_{p,\text{CO}_2} + c_{\text{water}} \hat{c}_{p,\text{water}}) + (1 - \varphi) \rho^s c_p^s, \quad (6)$$

$$S = \nabla \cdot \left[ - \sum_i \hat{h}_{0,i} \varphi \mathcal{D}_i \nabla c_i \right] + \nabla \cdot \left[ \mathbf{u} \sum_i c_i \hat{h}_{0,i} \right]. \quad (7)$$

where  $c_{\text{CO}_2}$  [mol/m<sup>3</sup>] is the molar concentration of CO<sub>2</sub>,  $M_{\text{water}}$  and  $M_{\text{CO}_2}$  [kg/mol] are the molecular weight of water and CO<sub>2</sub>,  $v_{\text{water}}$  [m<sup>3</sup>/mol] is the molar volume of pure water and  $\beta_c$  is a dimensionless coefficient, which is a function of pressure and temperature but composition independent,  $c_p^s$  [J/(kg.K)] is the heat capacity of the porous medium,  $h_0^s$  [J/kg] is the enthalpy of the solid phase at the reference temperature,  $\hat{h}_i$  [J/mol] is the partial molar enthalpy of component  $i$ , and  $\hat{c}_{p,i}$  [J/(mol.K)] and  $\hat{h}_{0,i}$  [J/mol] are constants for the calculation of partial molar enthalpy of component  $i$ . We solve the above equations for four different scenarios, viz., a sharp horizontal interface between the water and CO<sub>2</sub> (isothermal and nonisothermal), a capillary transition zone between water and CO<sub>2</sub> represented by unmovable blobs of water, and a capillary transition zone as a region with high diffusivity of CO<sub>2</sub> in water, and a lower permeability as proposed by Elenius et al. (Elenius et al., 2012). For more details of the model, and its boundary conditions, see (Eftekhari, 2013).

## Results and discussion



**Figure 2** (a) a comparison between the isothermal and non-isothermal simulations; (b) Simulation results compared with the experimental data (circular marker) and diffusion model (dashed line), for different permeability values; simulation results vs experimental data for a capillary transition zone with (c) unmovable blobs of water, and (d) a region with high CO<sub>2</sub> diffusivity.

The simulation results are compared with the experimental data in Fig. 2-(a) to (d). The heat of dissolution of the CO<sub>2</sub> in water does not have any significant effect on the rate of mass transfer (Fig. 2-a). Fig. 2-b depicts the results without considering a capillary transition zone, which shows that the model is not able to fit the experimental data without considering a capillary transition zone. Figs. 2-c and 2-d show that the onset of convection is better predicted by including a capillary transition zone in the model; the model that represents the capillary transition zone with a high CO<sub>2</sub> diffusivity gives the best fit to the experimental data.

## Conclusions

We performed a set of pressure decay experiments in a relatively large experimental set-up to measure the onset time of natural convection and the rate of mass transfer of CO<sub>2</sub> into water-saturated porous media. We used a mathematical model to study the effect of heat of dissolution of CO<sub>2</sub> on the rate of mass transfer. The effect of heat of dissolution of CO<sub>2</sub> in water on the rate of mass transfer is negligible. We compared various relations for the calculation of onset time with the deviation of experimentally measured pressure decay data from calculated pressure decay data for a pure diffusion model. We studied the effect of a capillary transition zone on the density-driven flow of CO<sub>2</sub> in water. A capillary transition zone can considerably increase the mass transfer rate of CO<sub>2</sub> in water. Our numerical simulations give the best match with experimental pressure decay data when a capillary transition zone is considered in the mathematical model.

## References

- Eftekhari, A.A., [2013]. Low Emission Conversion of Fossil Fuels with Simultaneous or Consecutive Storage of Carbon Dioxide. PhD thesis, Delft University of Technology.
- Elenius, M.T., Nordbotten, J.M., Kalisch, H., [2012]. Effects of a capillary transition zone on the stability of a diffusive boundary layer. *IMA J. Appl. Math.* 77, 771–787.
- Emami-Meybodi, H., Hassanzadeh, H., Green, C.P., Ennis-King, J., [2015]. Convective dissolution of CO<sub>2</sub> in saline aquifers: Progress in modeling and experiments. *Int. J. Greenh. Gas Control* 40, 238–266.
- Faisal, T.F., Chevalier, S., Sassi, M., [2013]. Experimental and numerical studies of density driven natural convection in saturated porous media with application to CO<sub>2</sub> geological storage. *Energy Procedia* 37, 5323–5330.
- Khosrokhavar, R., Eftekhari, A.A., Farajzadeh, R., Bruining, J., [2015]. Effect of Salinity and Pressure on the Rate of Mass Transfer in Aquifer Storage of Carbon Dioxide, in: 18th European Symposium on Improved Oil Recovery – Dresden.
- Khosrokhavar, R., Elsinga, G., Mojaddam, A., Farajzadeh, R., Bruining, J., [2011]. Visualization of Natural Convection Flow of (Sub-) and (Super-) Critical CO<sub>2</sub> in Aqueous and Oleic Systems by Applying Schlieren Method, in: SPE EUROPEC/EAGE Annual Conference and Exhibition. Society of Petroleum Engineers, Vienna, Austria. doi:10.2118/143264-MS
- Kneafsey, T.J., Pruess, K., [2010]. Laboratory flow experiments for visualizing carbon dioxide-induced, density-driven brine convection. *Transp. Porous Media* 82, 123–139.
- Li, B., Tchelepi, H.A., Benson, S.M., [2013]. Influence of capillary-pressure models on CO<sub>2</sub> solubility trapping. *Adv. Water Resour.* 62, 488–498.
- Metz, B., [2005]. Carbon Dioxide Capture and Storage: Special Report of the Intergovernmental Panel on Climate Change. Cambridge University Press.
- Meybodi, H.E., Hassanzadeh, H., [2013]. Stability analysis of two-phase buoyancy-driven flow in the presence of a capillary transition zone. *Phys. Rev. E* 87, 033009.
- Mojtaba, S., Behzad, R., Rasoul, N.M., Mohammad, R., [2014]. Experimental study of density-driven convection effects on CO<sub>2</sub> dissolution rate in formation water for geological storage. *J. Nat. Gas Sci. Eng.* 21, 600–607.
- Nazari Moghaddam, R., Rostami, B., Pourafshary, P., Fallahzadeh, Y., [2012]. Quantification of density-driven natural convection for dissolution mechanism in CO<sub>2</sub> sequestration. *Transp. Porous Media* 92, 439–456.
- Plug, W.-J., Bruining, J., [2007]. Capillary pressure for the sand–CO<sub>2</sub>–water system under various pressure conditions. Application to CO<sub>2</sub> sequestration. *Adv. Water Resour.* 30, 2339–2353.