



INNOVATION



FACTORY

LEUNG YEE HANG | P5 PRESENTATION



Outdoor Deck in Summer



Urban Living Room



Main Library

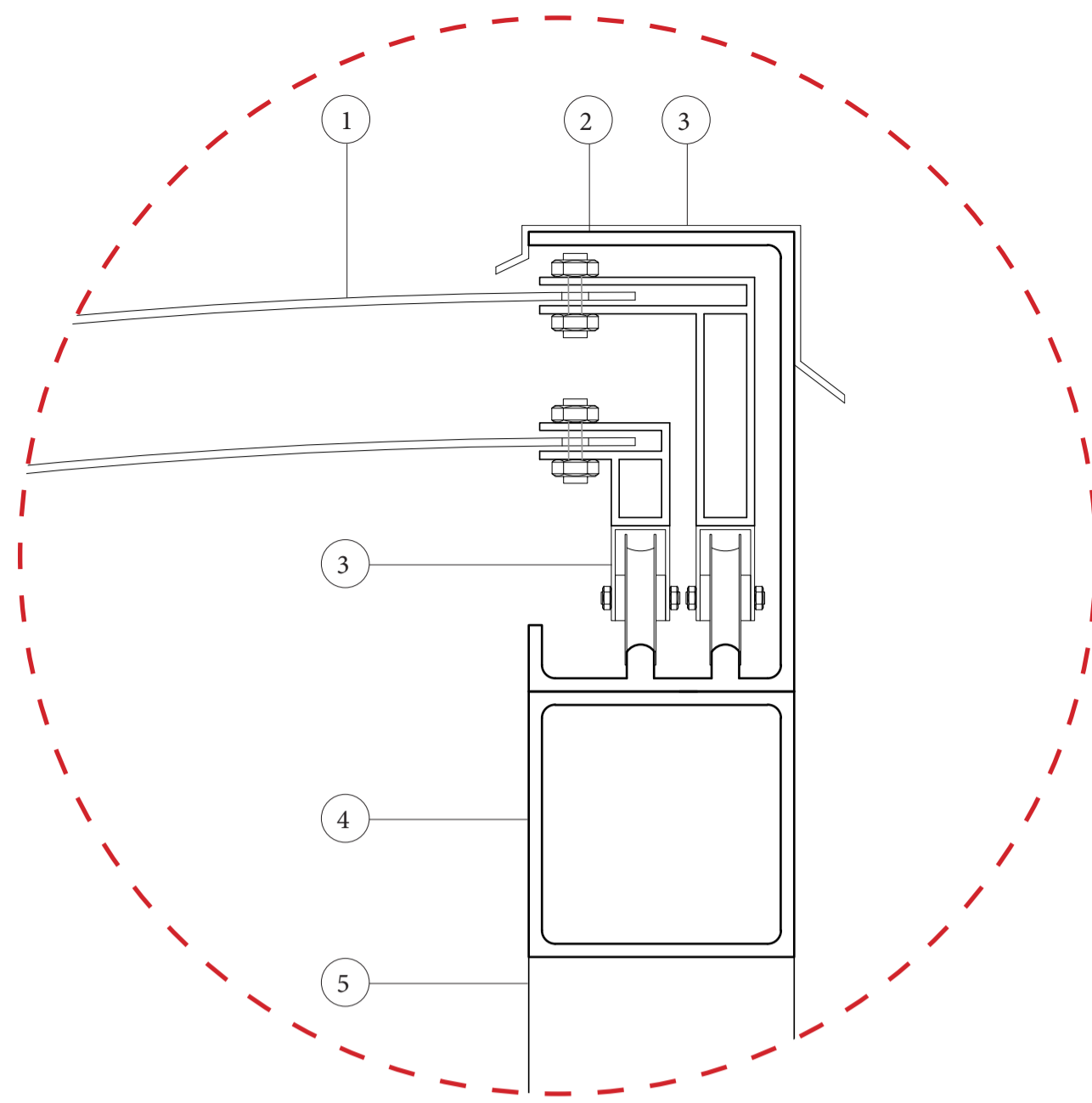


Mezzanine



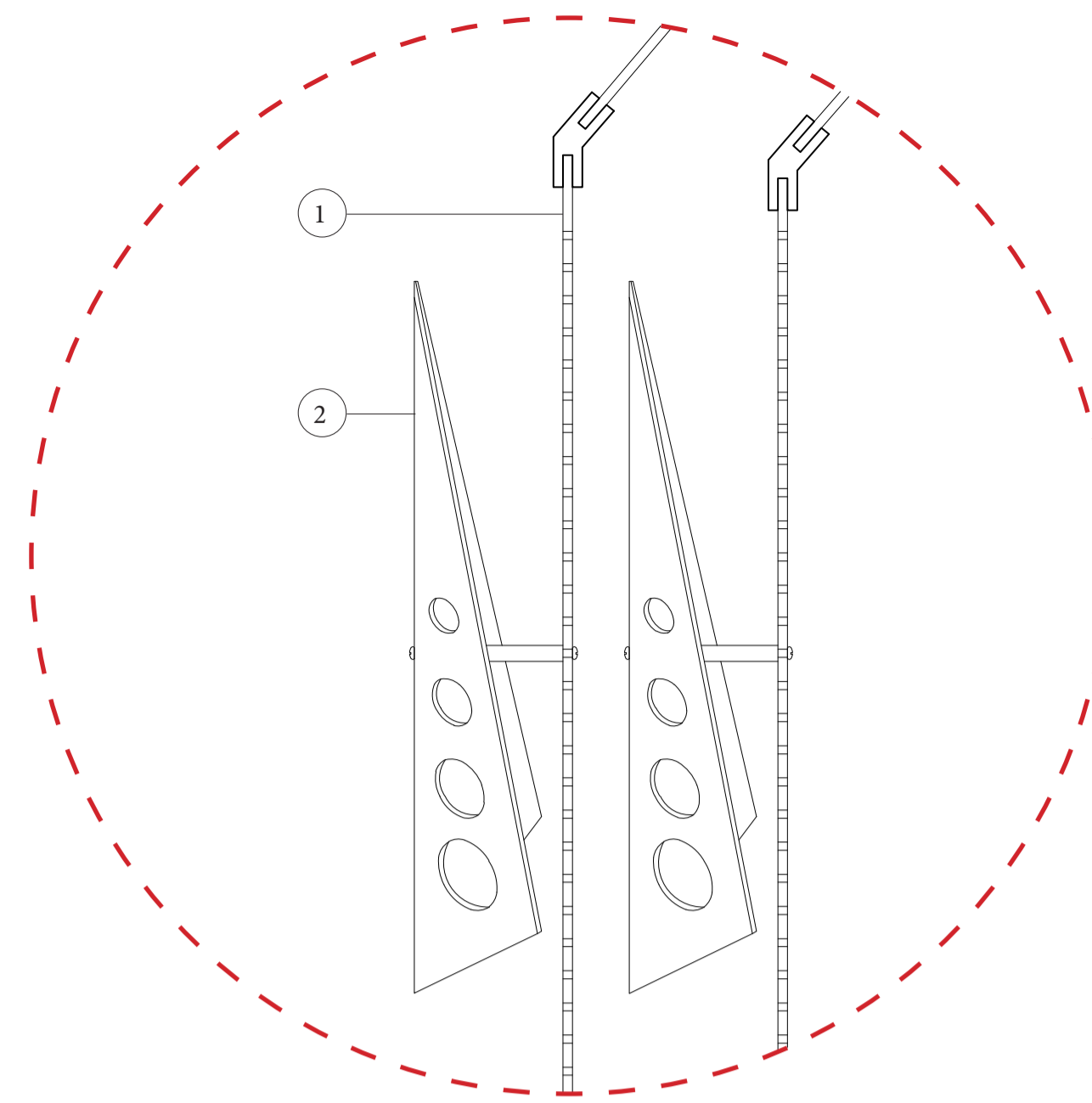
D01 1:5

- 1. 5mm perforated steel panel
- 2. Metal flashing
- 3. Aluminum bracket on sliding track
- 4. 200x200mm Rectangular hollow steel beam
- 5. 200x200mm Rectangular hollow steel column



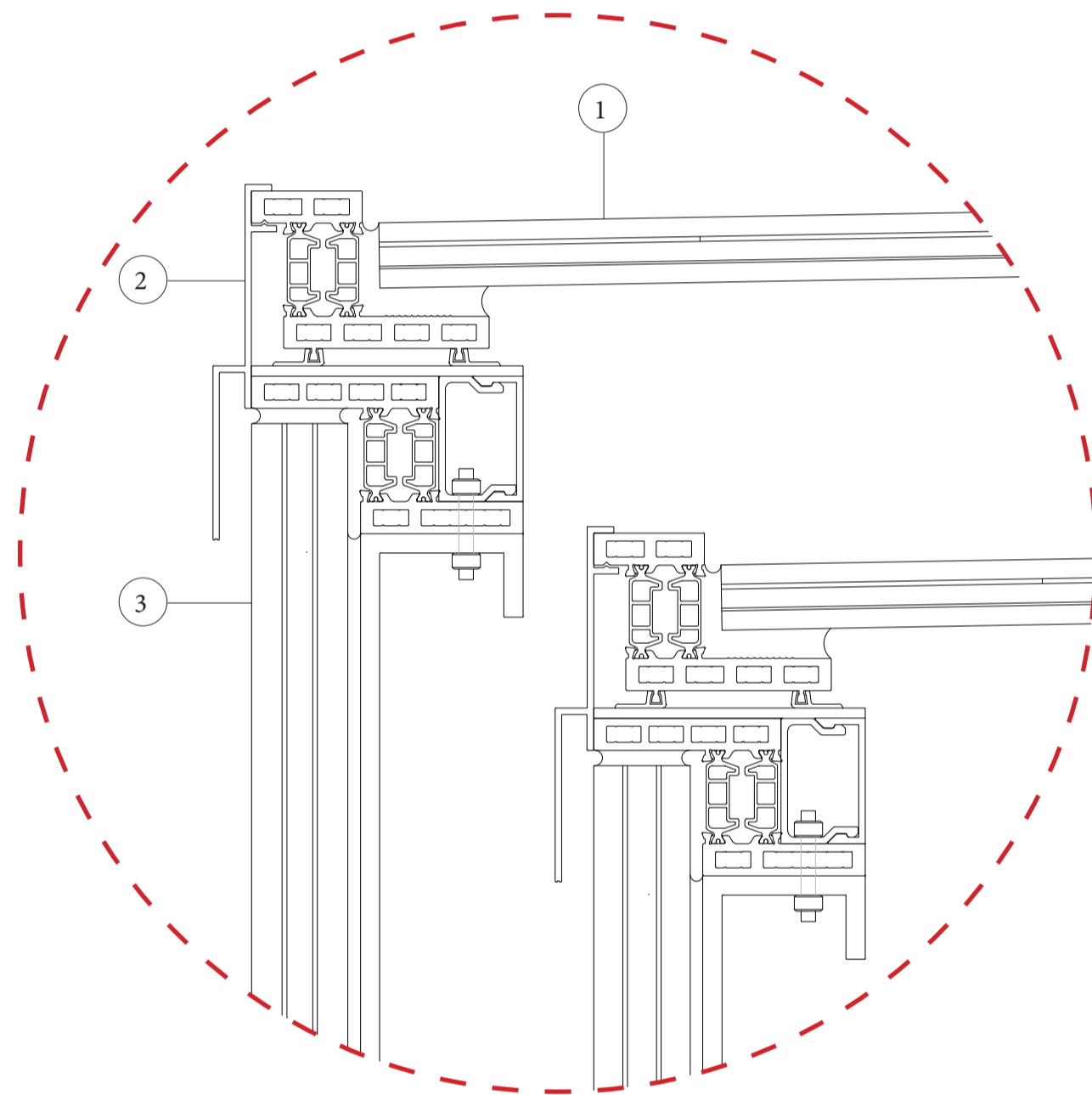
D02 1:5

- 1. 5mm perforated steel panel
- 2. Aluminum wind pivot screwed to the holes of the perforated steel panel



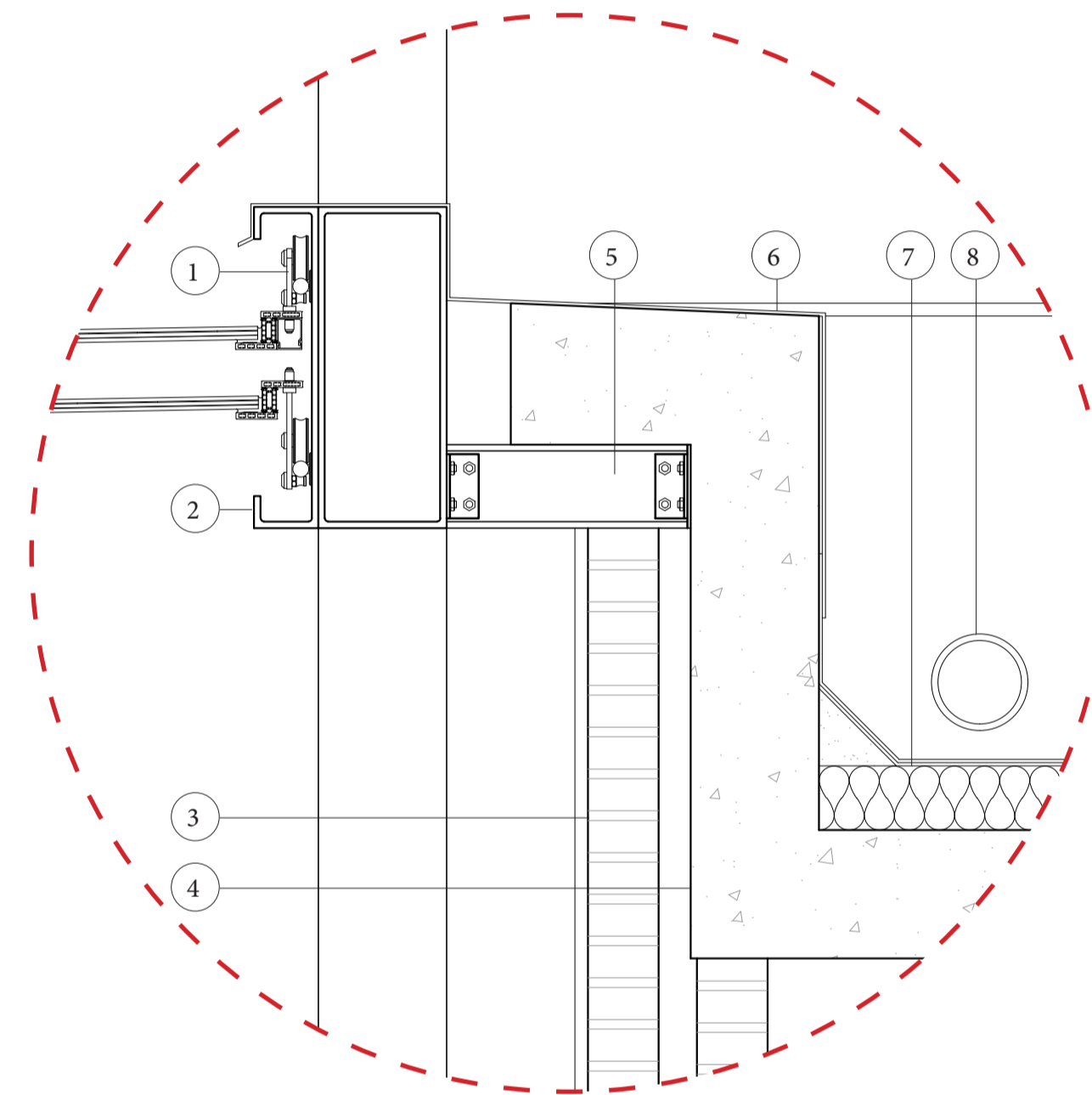
D03 1:2

- 1. Laminated glass (from top: 6mm low iron tempered glass, 1.5mm photovoltaic cell, 6mm low iron tempered glass, 0.76mm PVB interlayer)
- 2. Metal flashing
- 3. Structural laminated glass



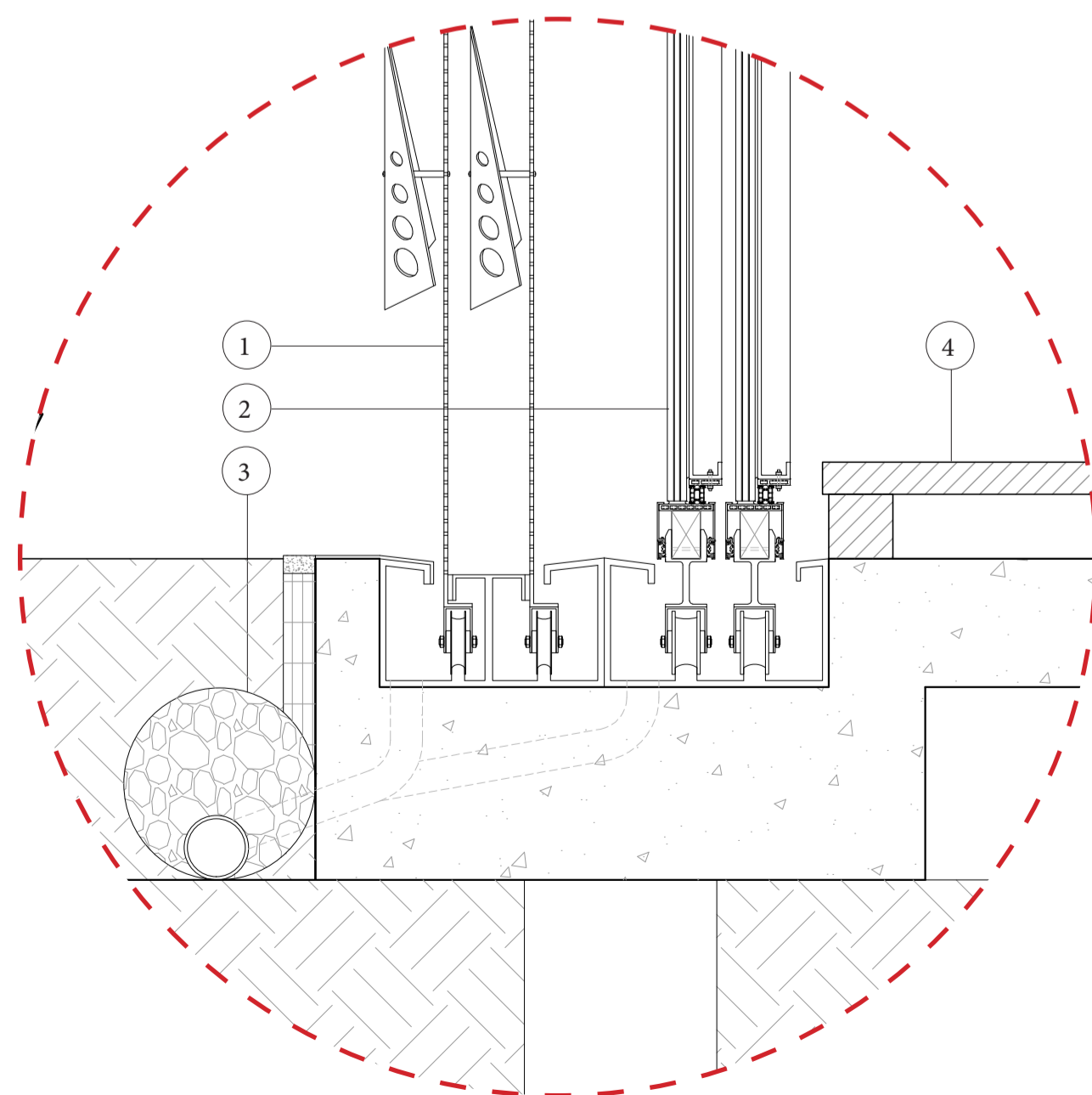
D04 1:10

- 1. Aluminum bracket screwed to wheels on sliding track
- 2. Metal C-channel welded to 200x500mm rectangular hollow steel beam
- 3. Existing double layered brick wall
- 4. Existing concrete roof
- 5. 130mm depth I beam
- 6. Metal flashing
- 7. 100mm thk. insulation with waterproofing layer on top
- 8. 150mm dia. drainage pipe



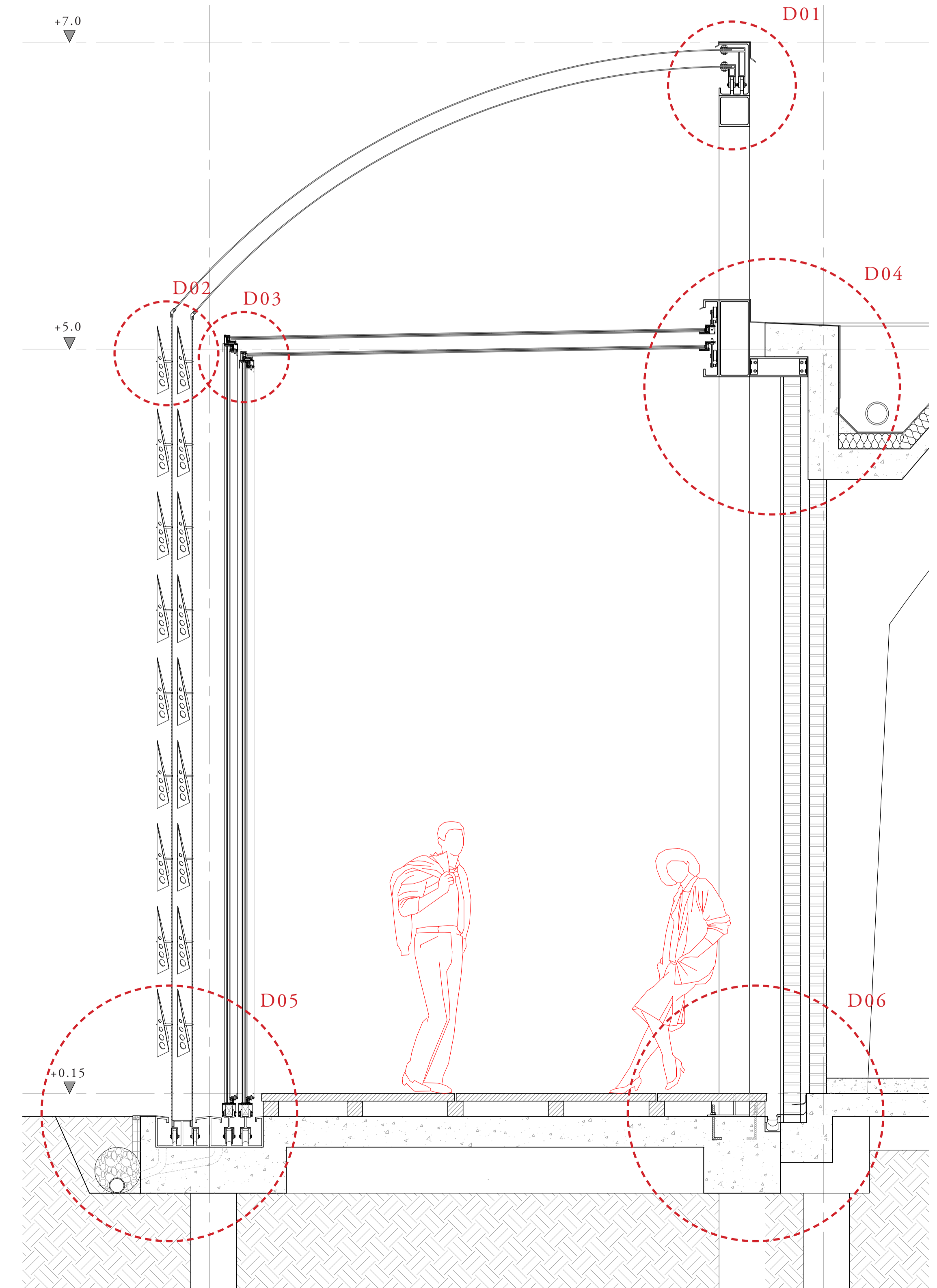
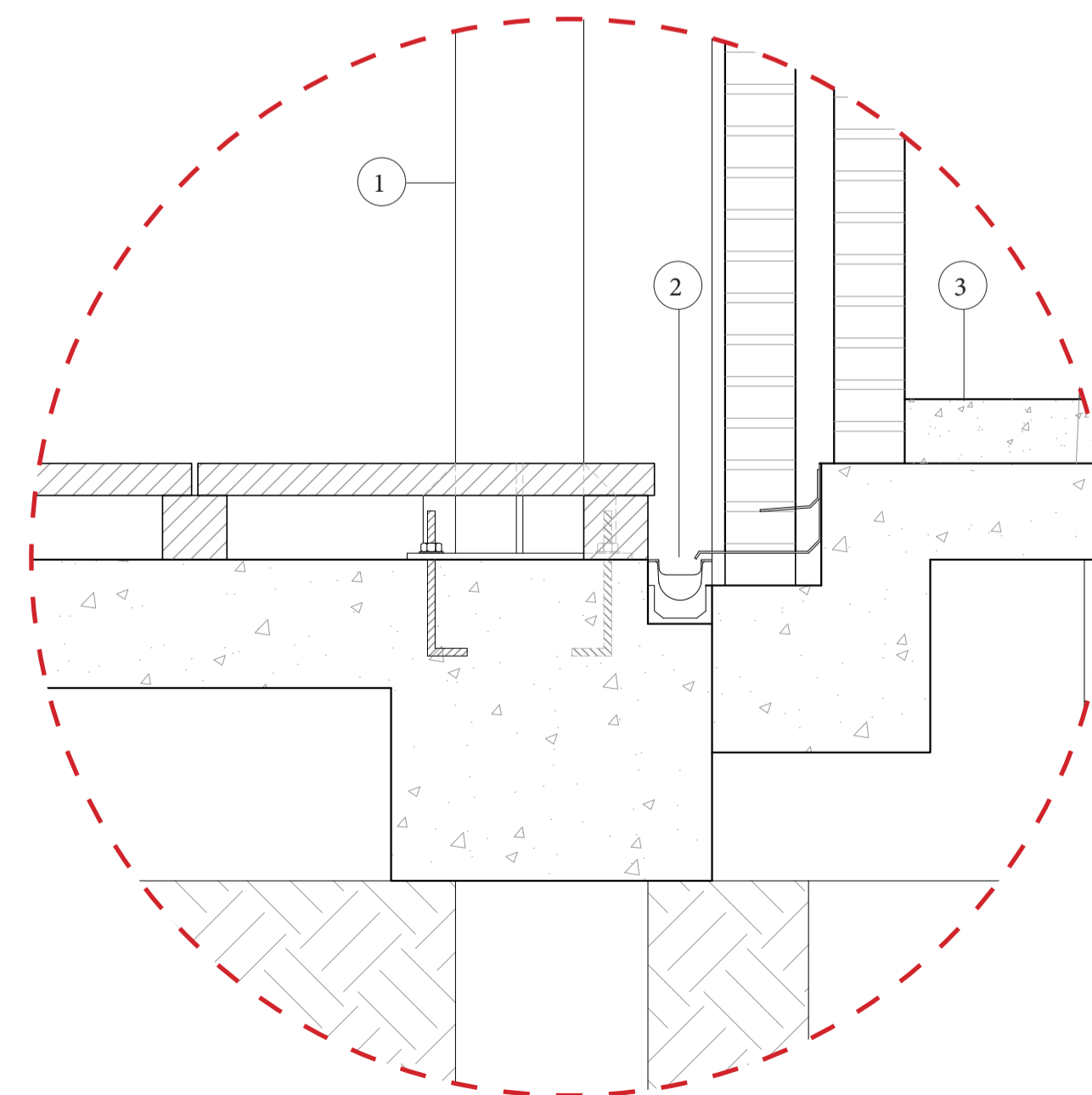
D05 1:10

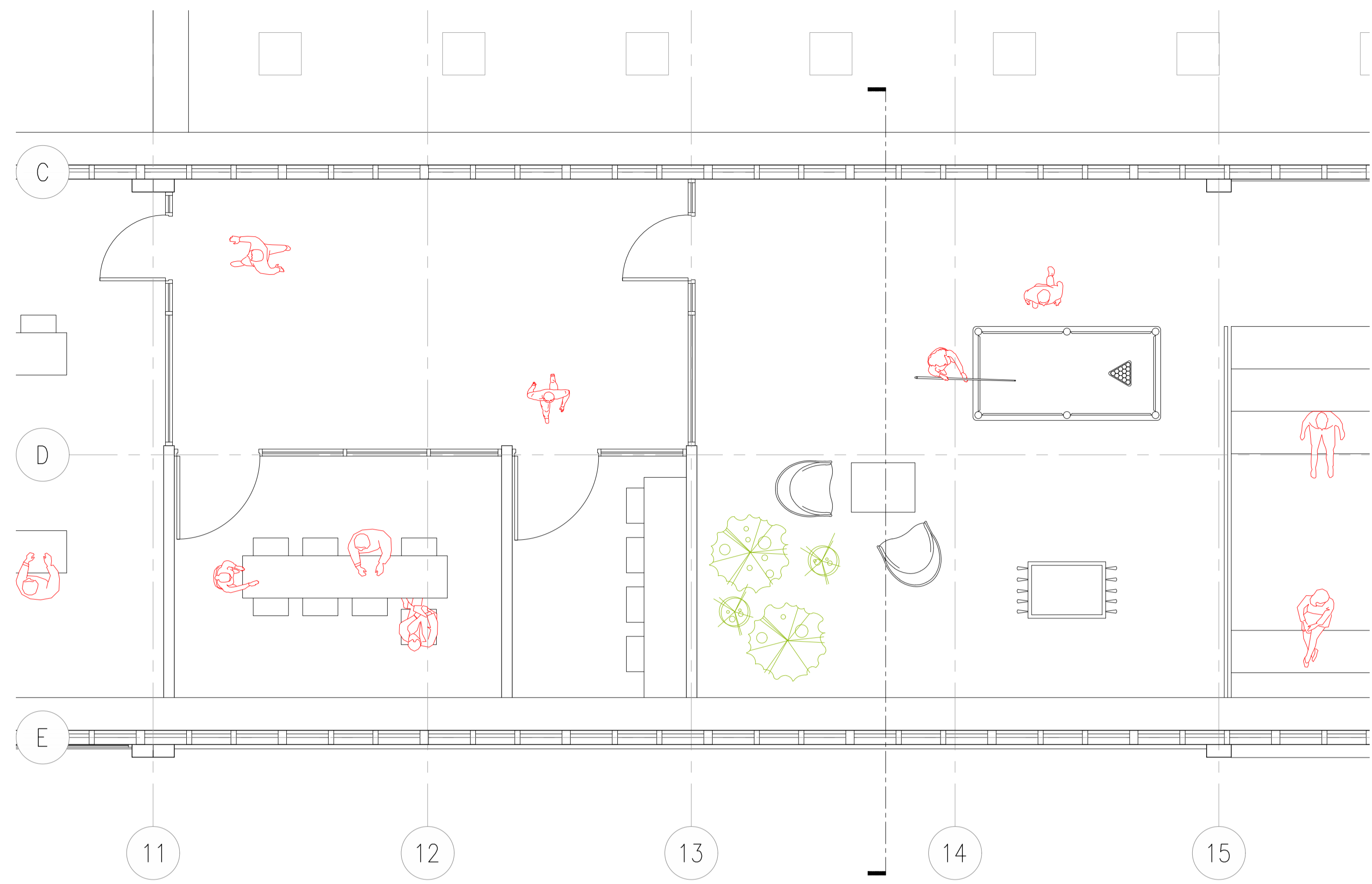
- 1. Sliding sun shading panel
- 2. Sliding glass panel
- 3. Sub-grade drainage system
- 4. Wooden deck on new concrete foundation



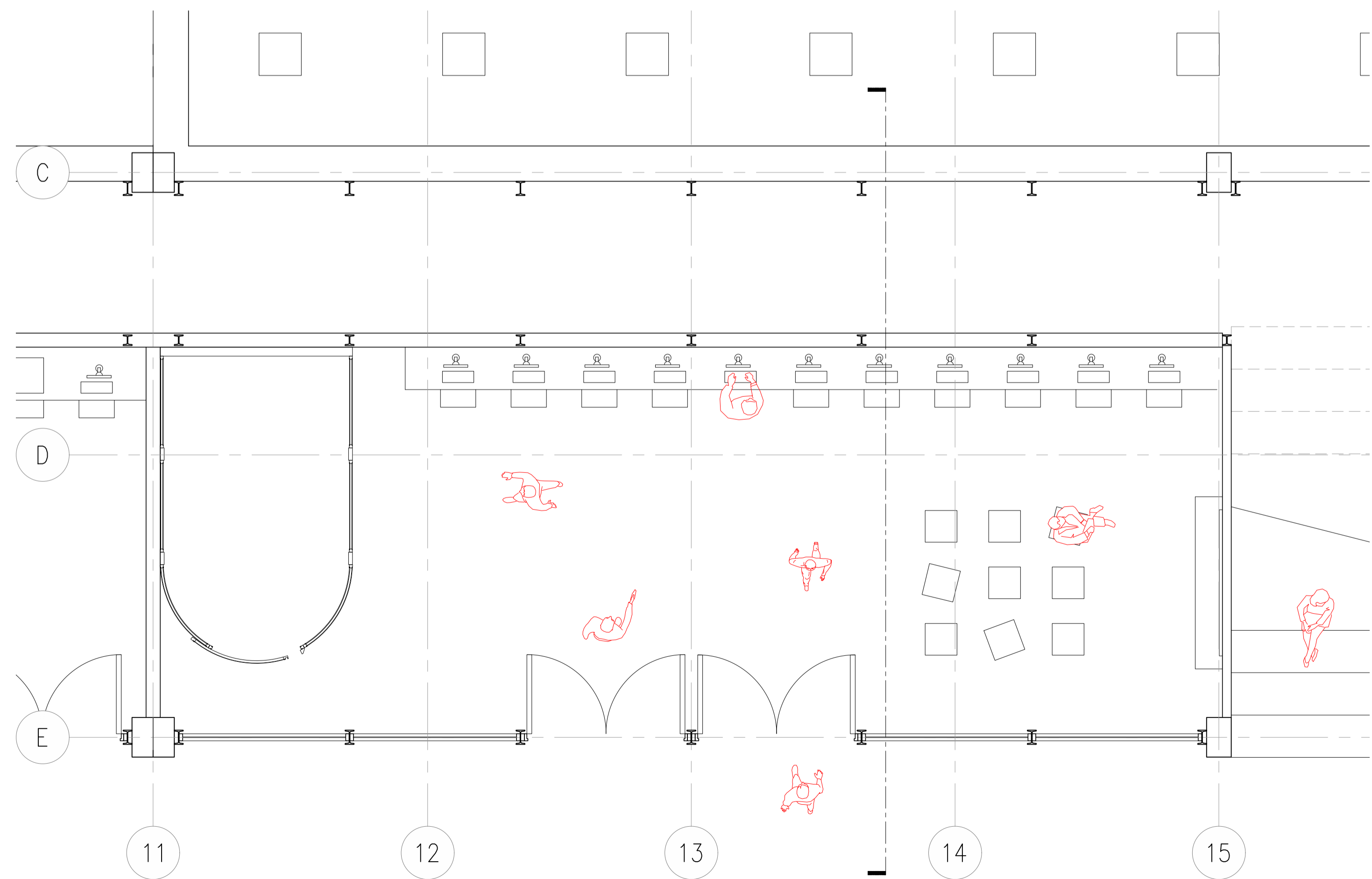
D06 1:10

- 1. 200x200mm rectangular hollow steel column
- 2. Gutter
- 3. 100mm concrete floor with floor heating and cooling system

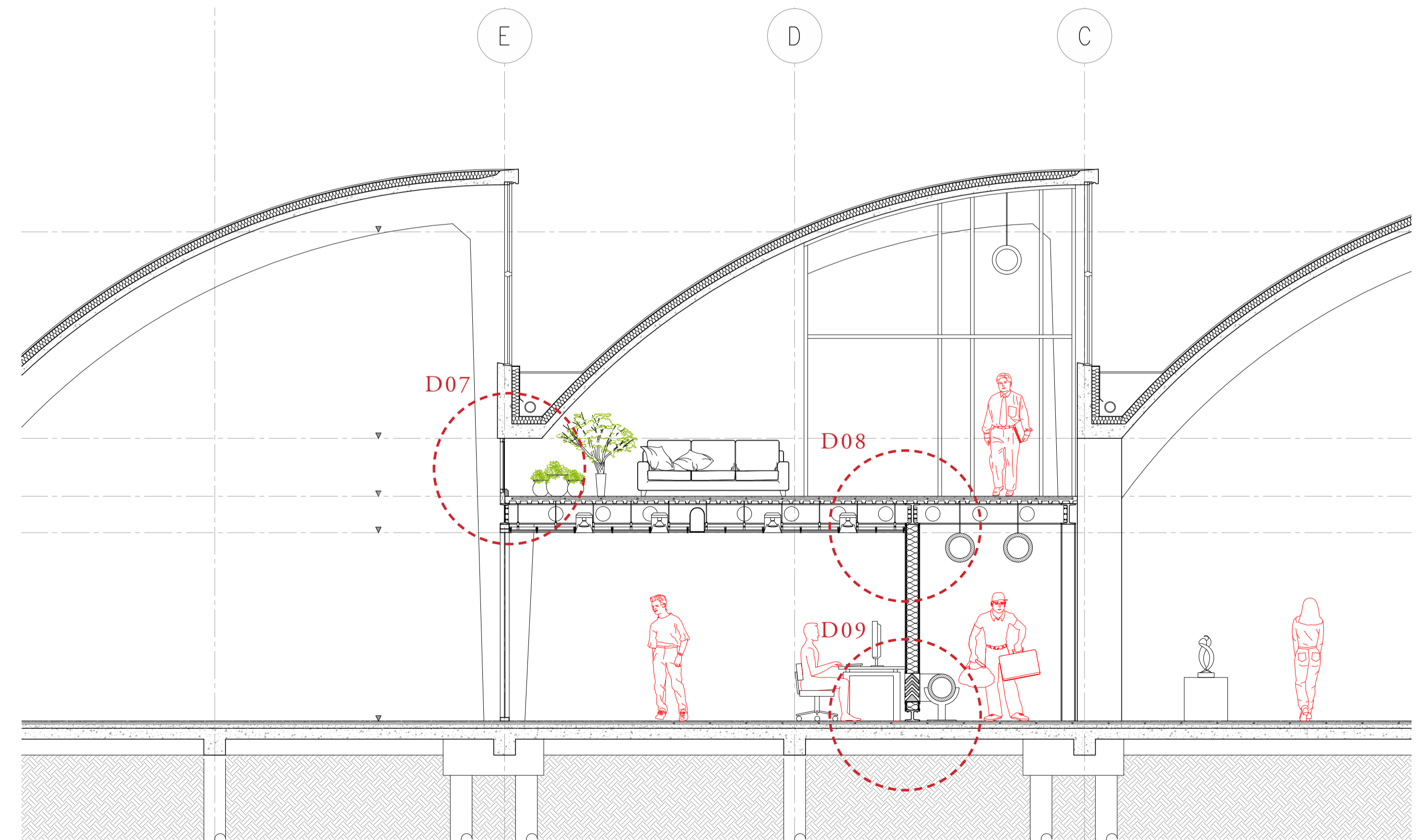




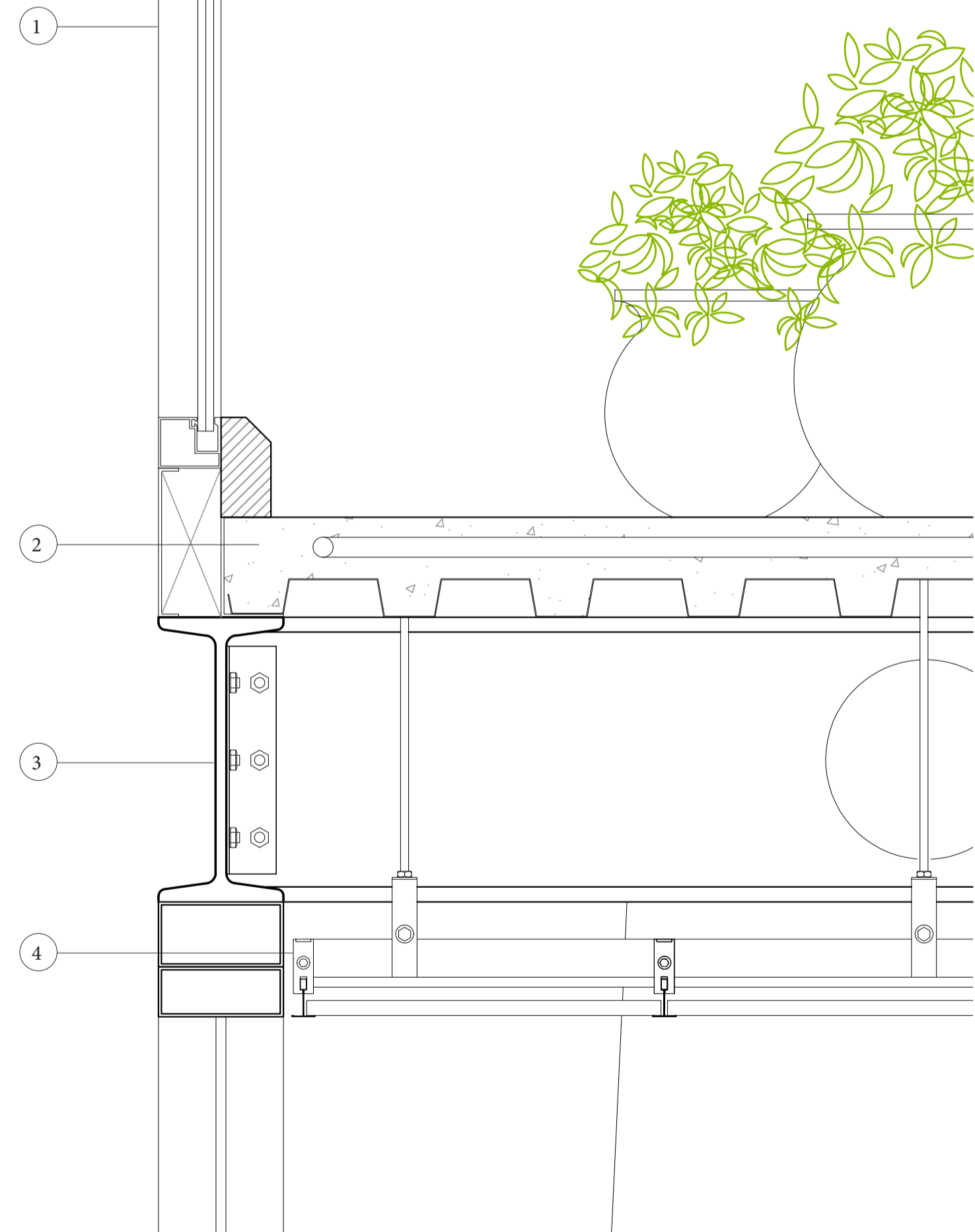
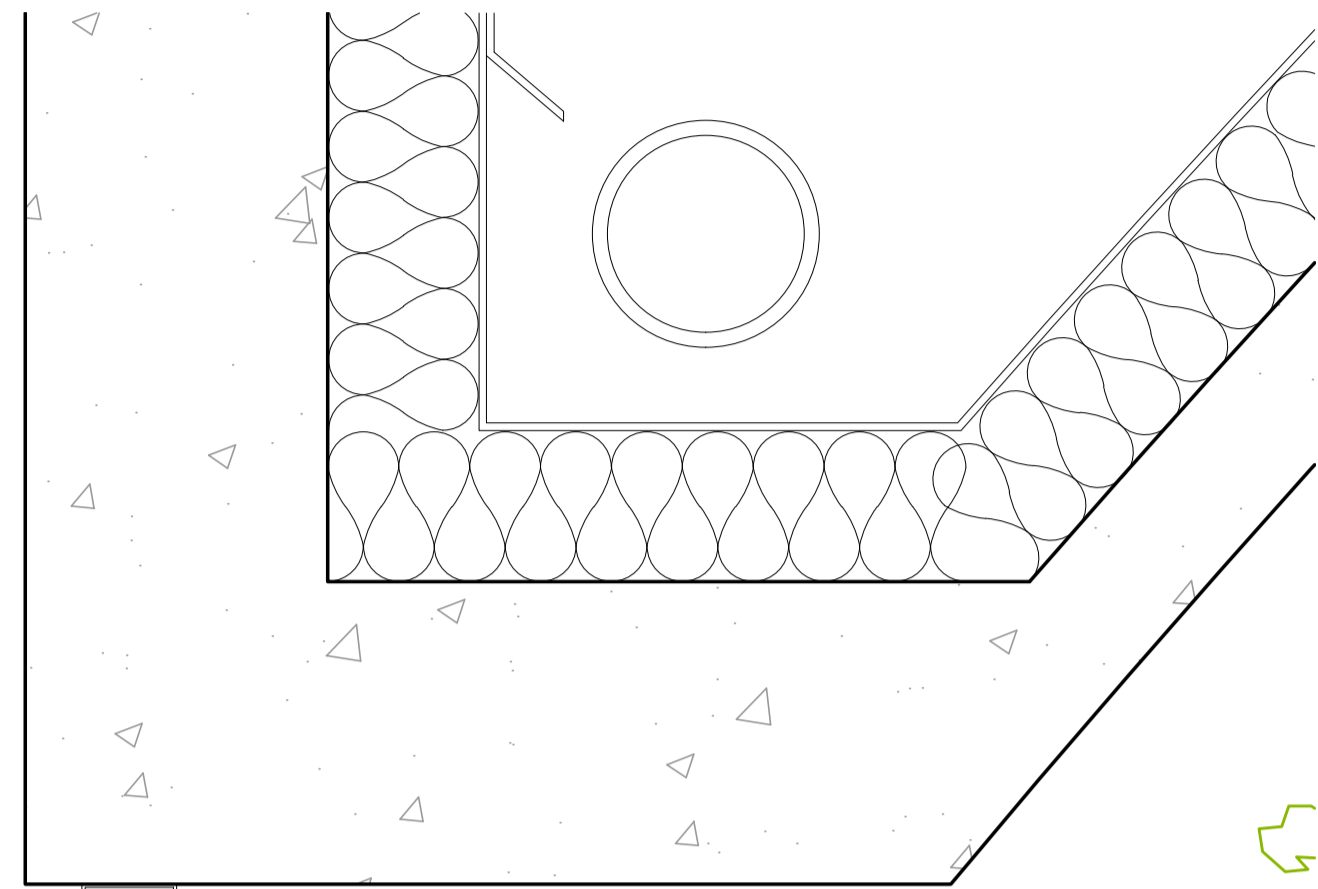
Partial Mezzanine Plan 1:50



Partial Ground Plan 1:50

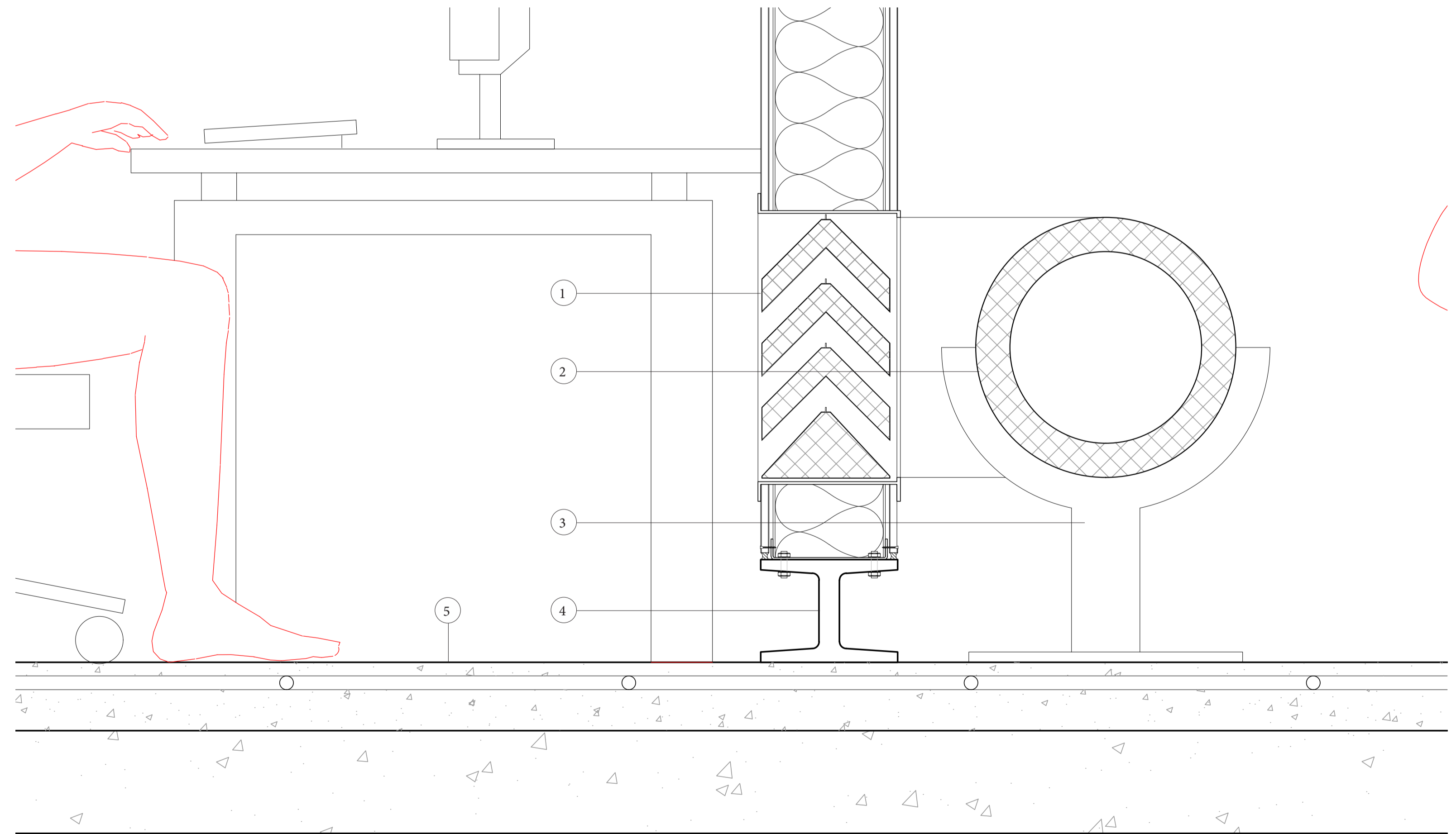
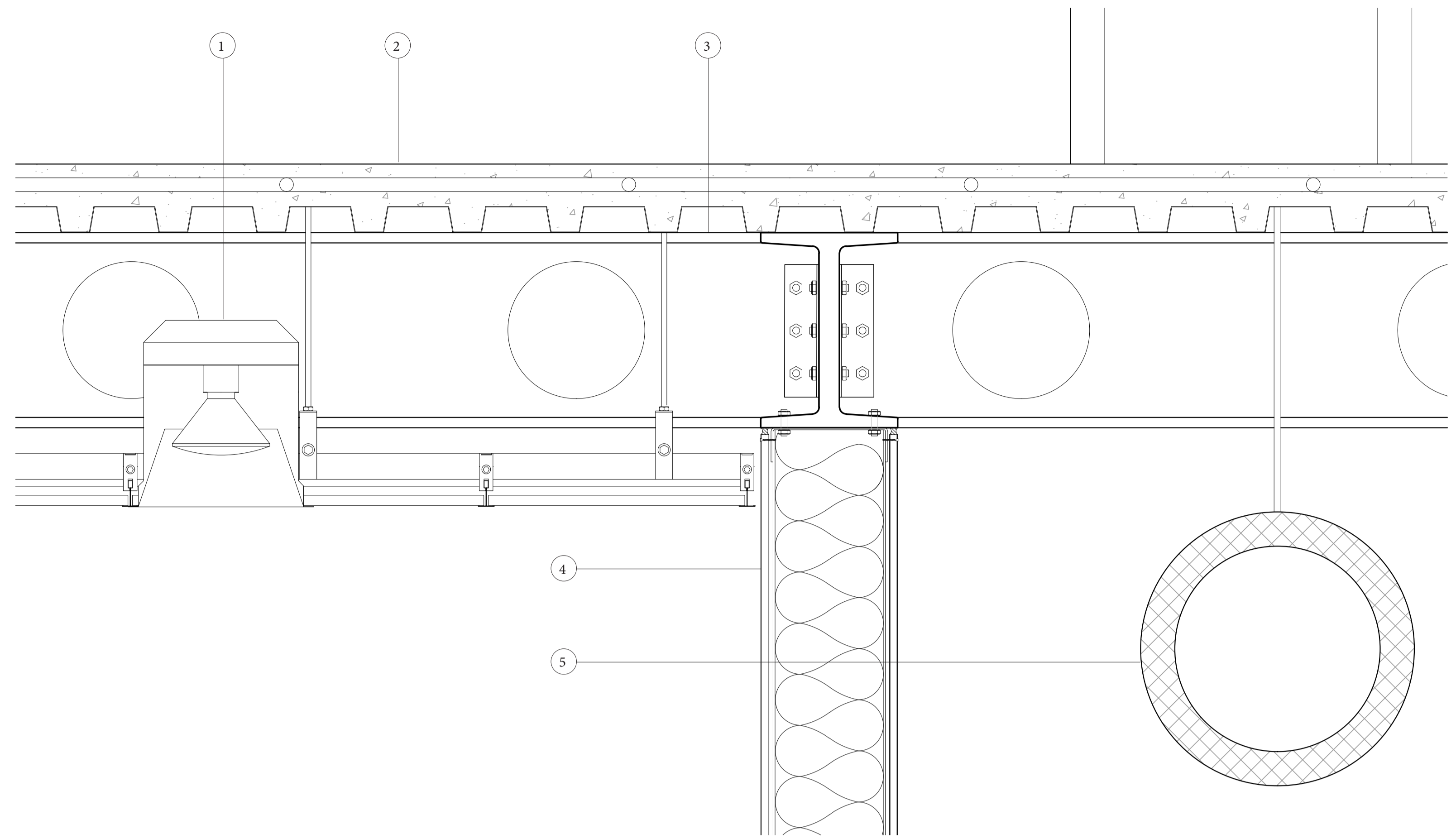


Section detail 1:50



D07 1:5

1. Aluminum framing window strip
2. 100m thk. concrete floor with floor heating and cooling system on corrugated metal decking
3. 285mm depth I Beam incorporated with mechanical space for air ducts and lighting fixture
4. Hanging drop ceiling with sound absorbing panels

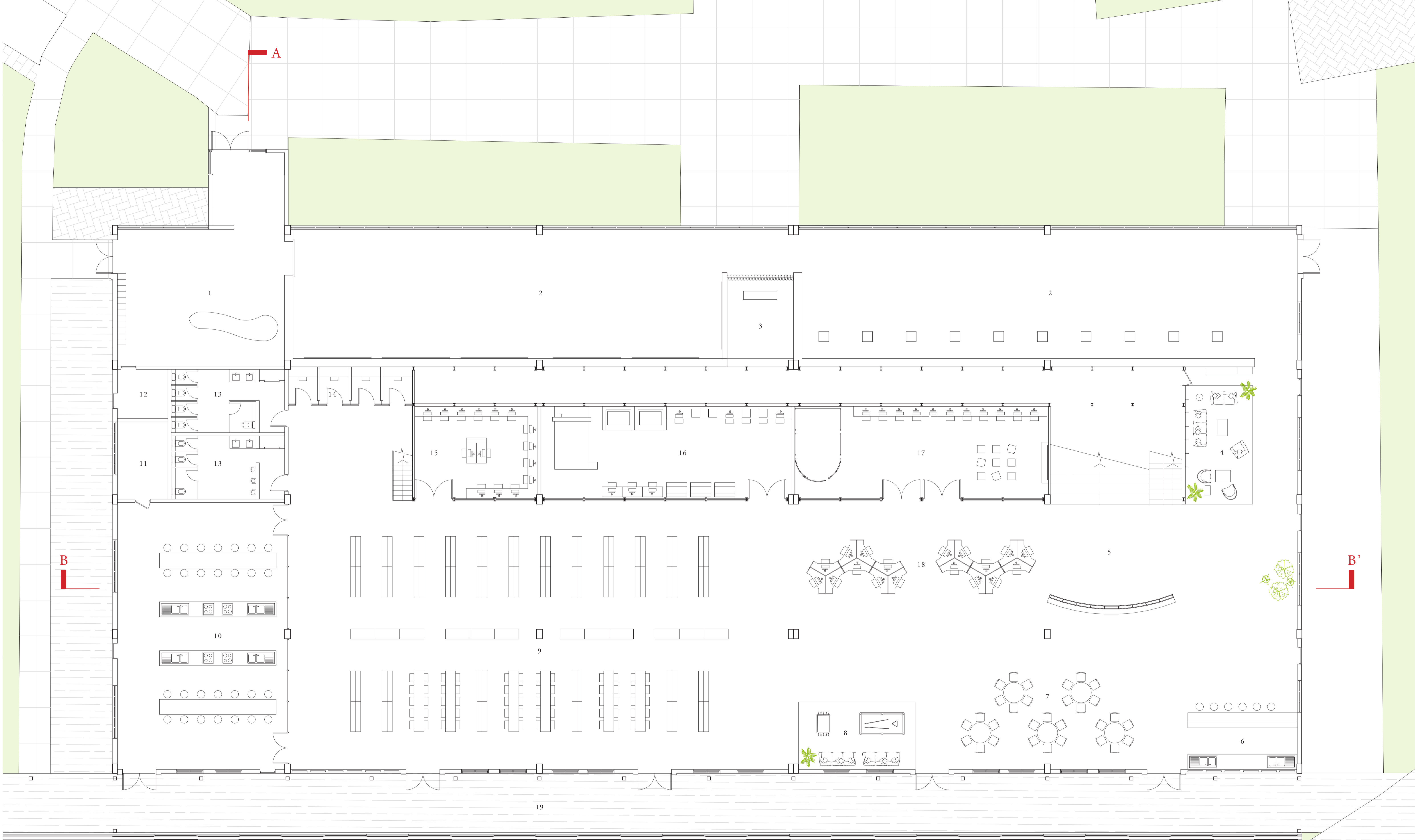


D08 1:5

1. Lighting fixture concealed in the drop ceiling
2. 100m thk. concrete floor with floor heating and cooling system on corrugated metal decking
3. 285mm depth I Beam incorporated with mechanical space for air ducts and lighting fixture
4. Metal stud wall (10mm interior wall putty, 15mm gypsum panel, steel stud, 150mm insulation)
5. 200mm dia. air exhaust duct wrapped with sound absorbing insulation

D09 1:5

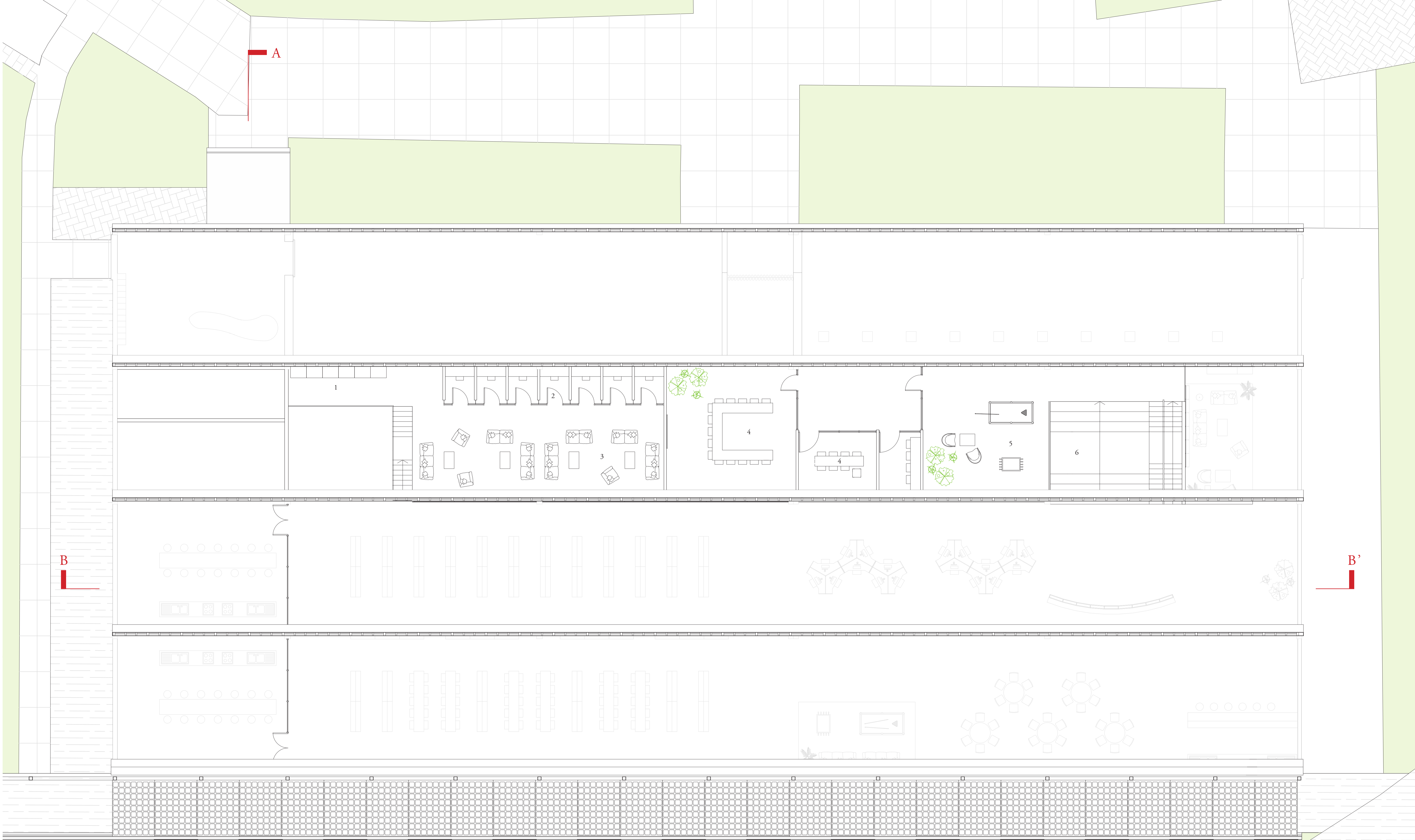
1. Air inlet grille with sound insulation
2. 200mm dia. air supply duct wrapped with sound absorbing insulation
3. Metal support rack for the pipe
4. 150x200mm steel I beam
5. 100m thk. concrete floor with floor heating and cooling system casted on existing concrete floor



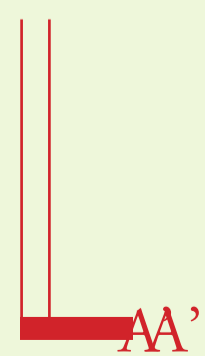
Legend:

- | | |
|----------------------|----------------------------------|
| 1. Lobby | 11. Storage |
| 2. Exhibition hall | 12. Mechanical room |
| 3. Media room | 13. Toiler |
| 4. Urban living room | 14. Study room |
| 5. Forum | 15. Digital lab |
| 6. Bar | 16. Fabrication lab |
| 7. Cafe | 17. Media lab |
| 8. Recreational area | 18. Computer station |
| 9. Reading area | 19. Outdoor deck / Winter garden |
| 10. Food lab | |





- Legend:
1. Vending machines
 2. Study room
 3. Lounge
 4. Meeting room
 5. Recreational area
 6. Forum





- Legend:
- 1. Pottery workspace
 - 2. Lounge
 - 3. Mechanical room
 - 4. Rinse area
 - 5. Toiler
 - 6. Exhibition space / meeting room
 - 7. Covered loggia