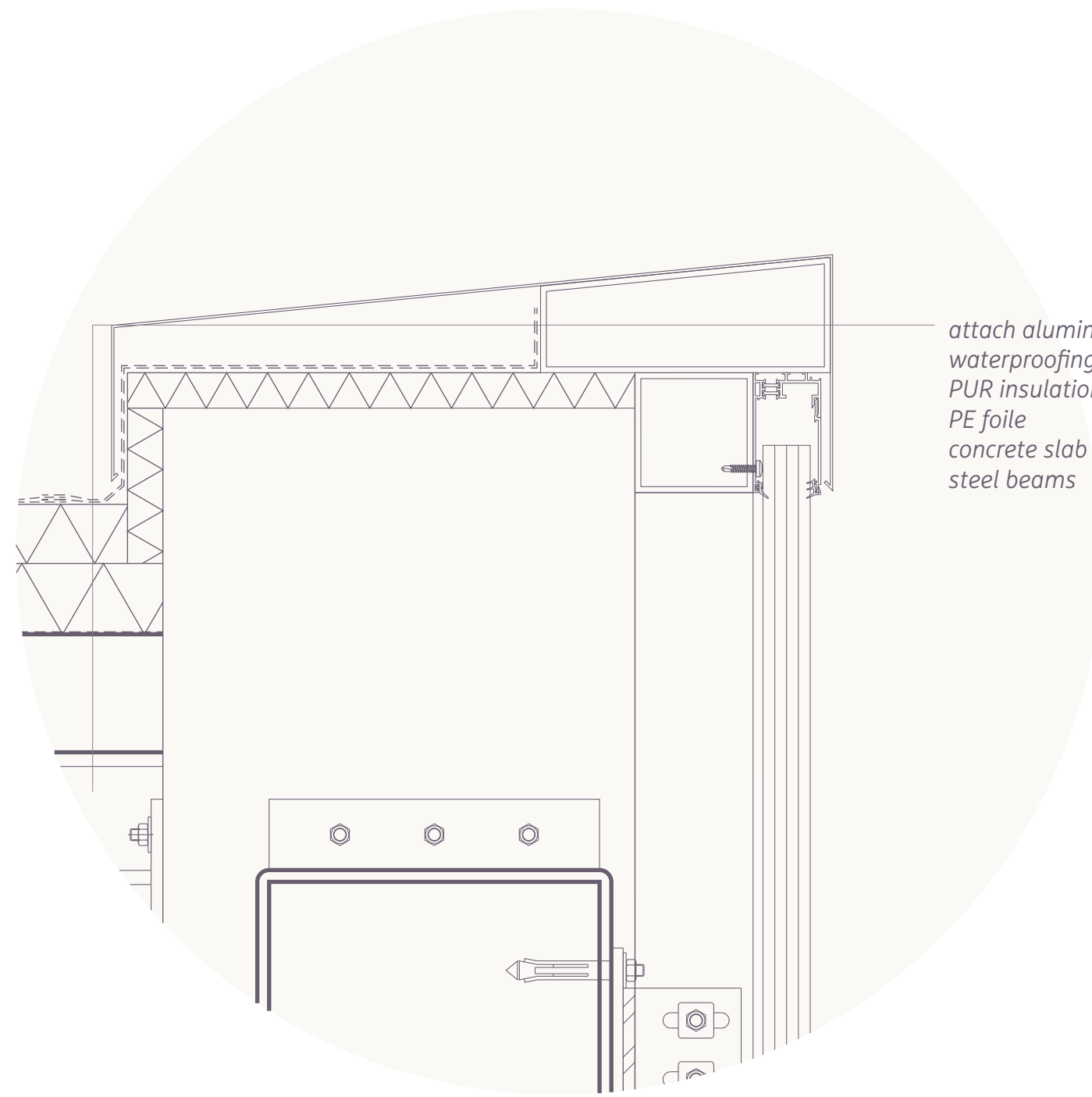
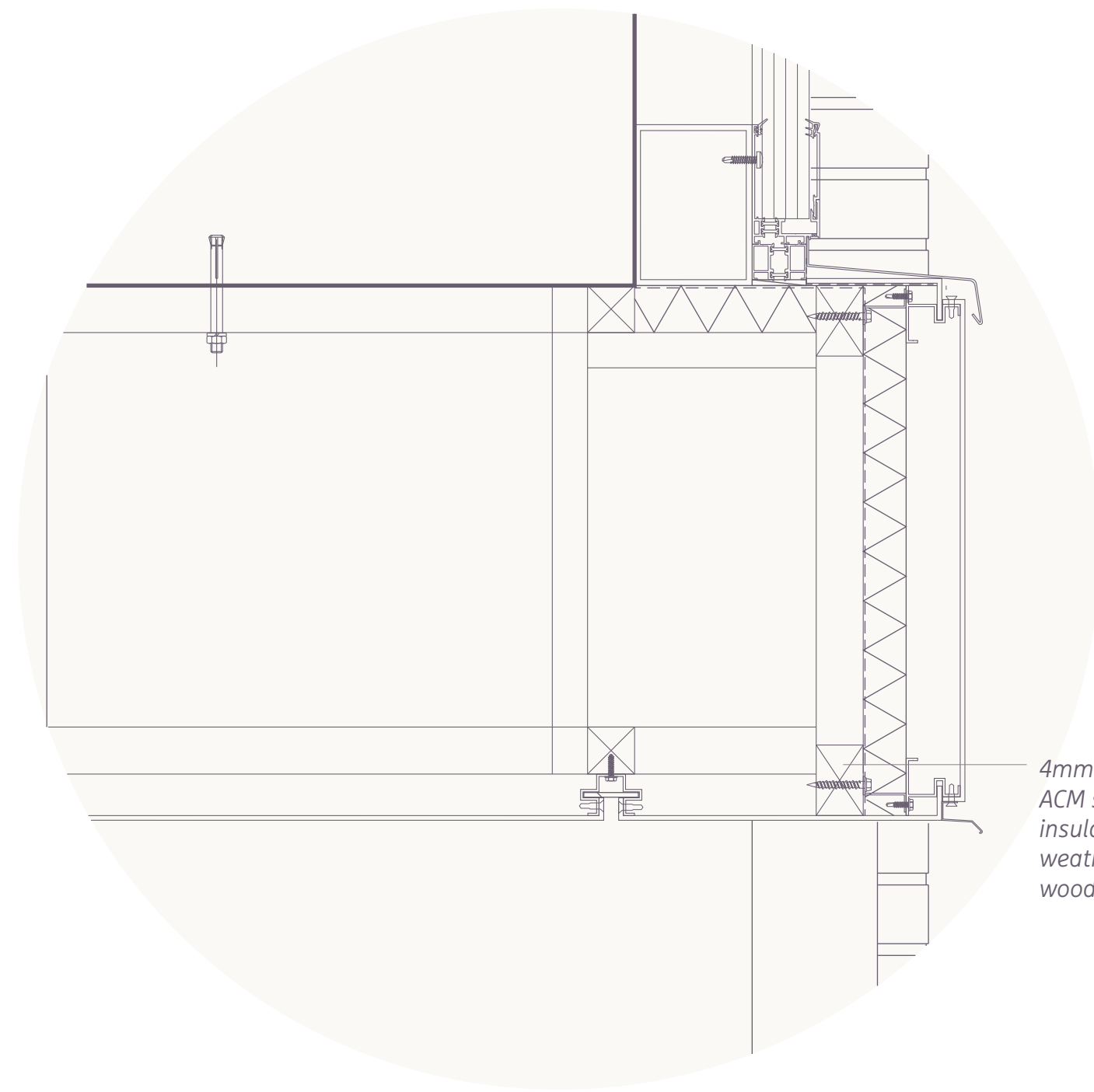


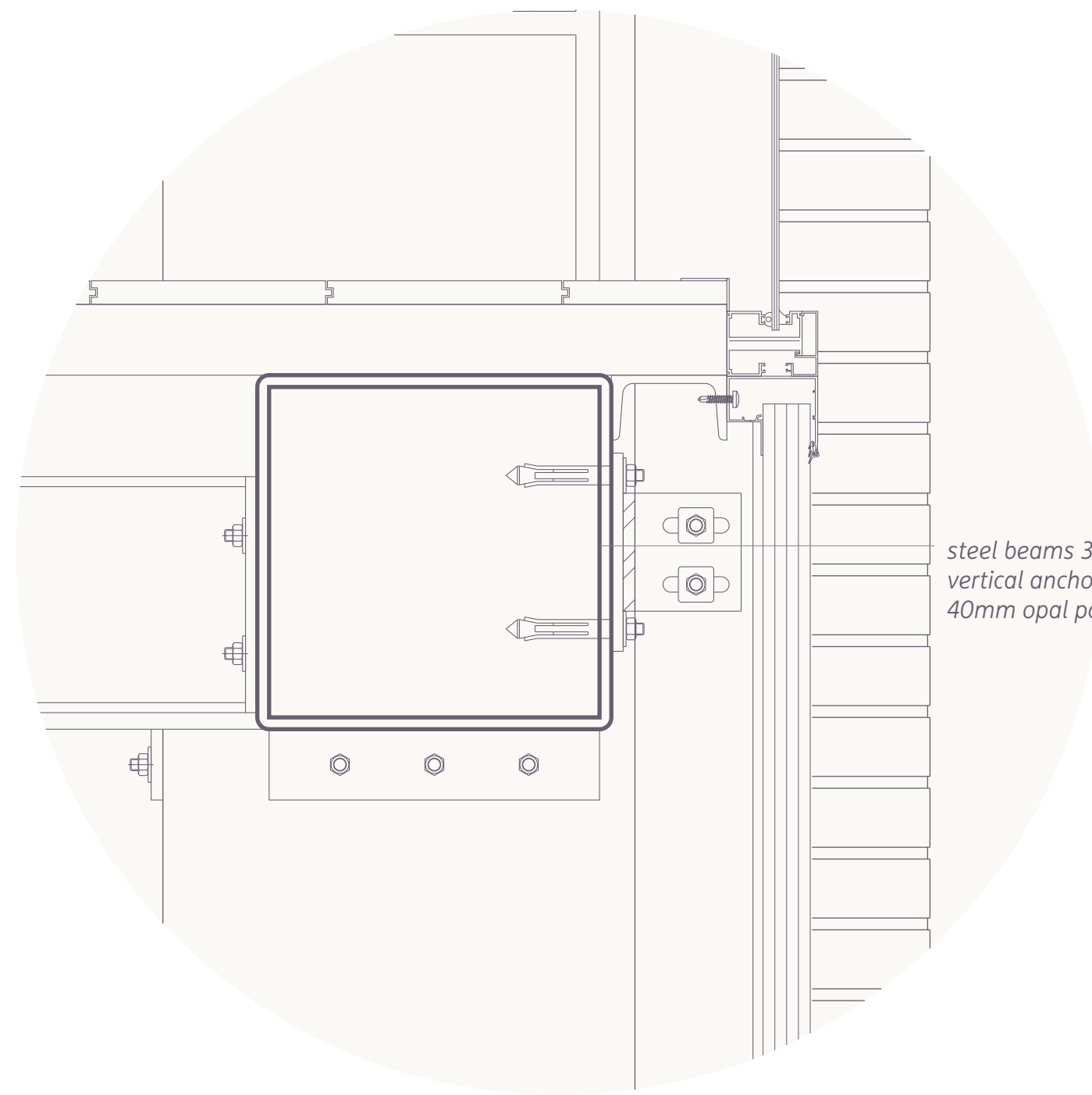
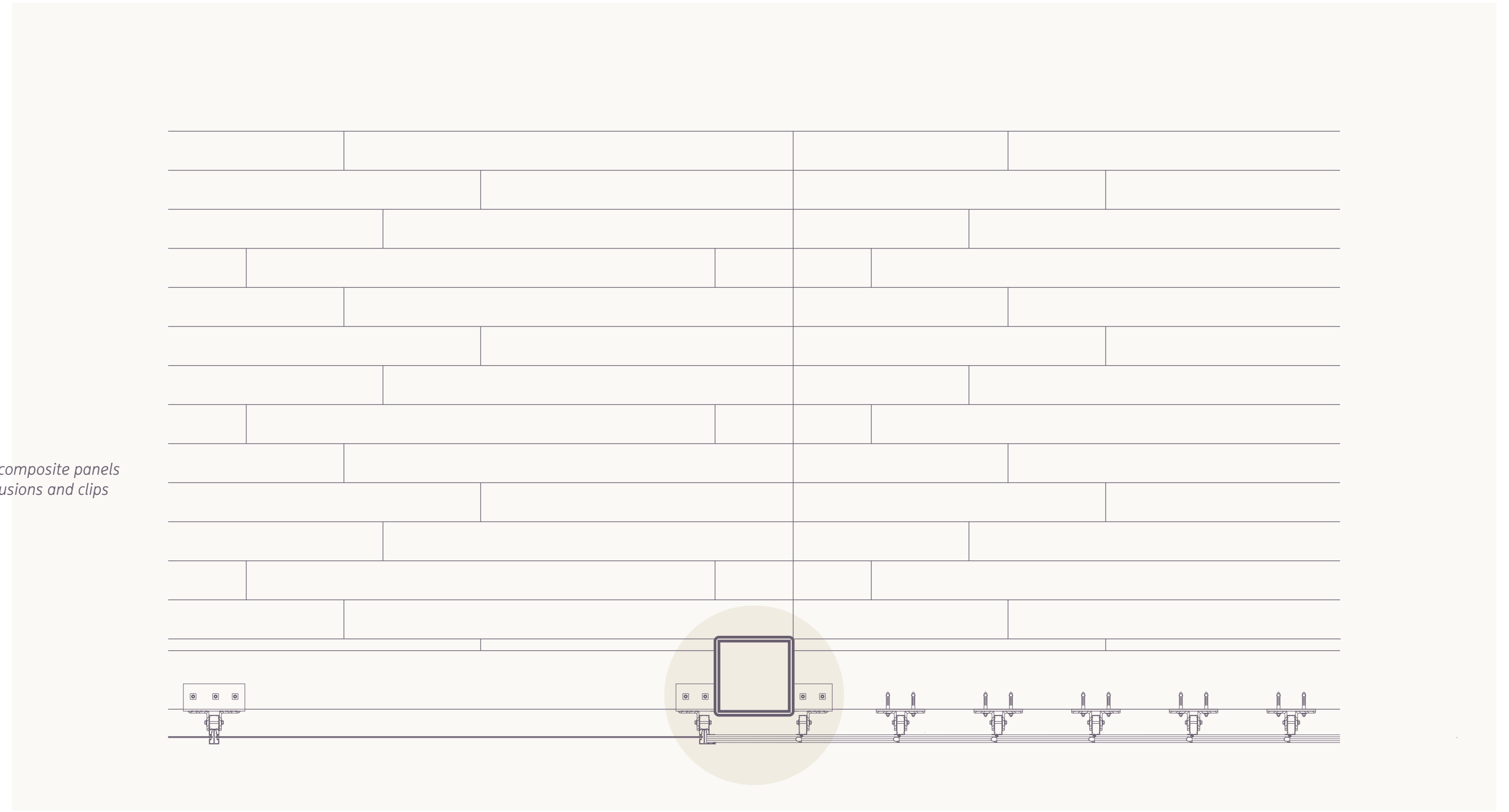
1:20 NEW SECTION & ELEVATION



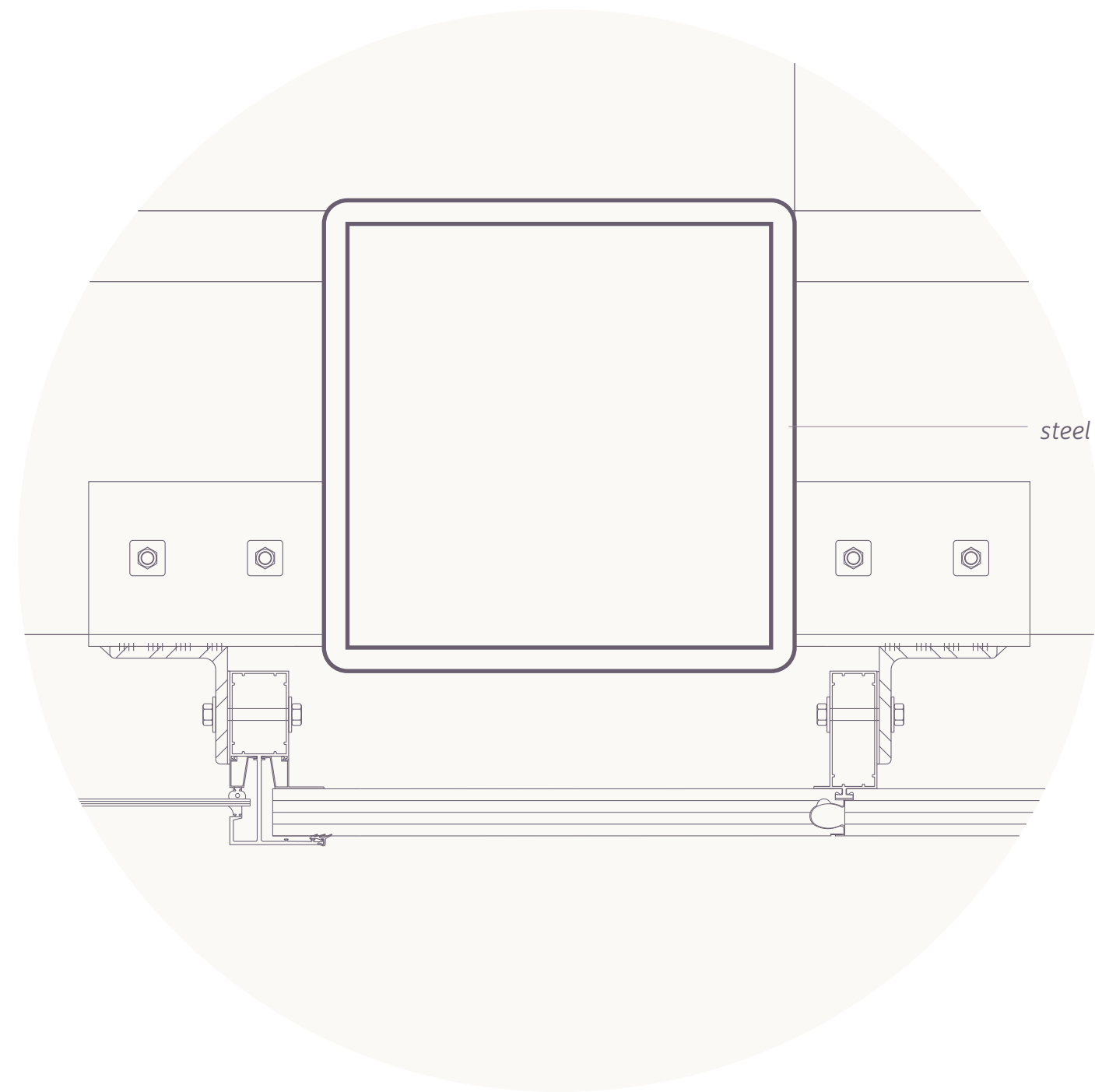
attach aluminum cover  
waterproofing  
PUR insulation board  
PE foile  
concrete slab  
steel beams



4mm aluminum composite panels  
ACM system extrusions and clips  
insulation  
weather barrier  
wood structure

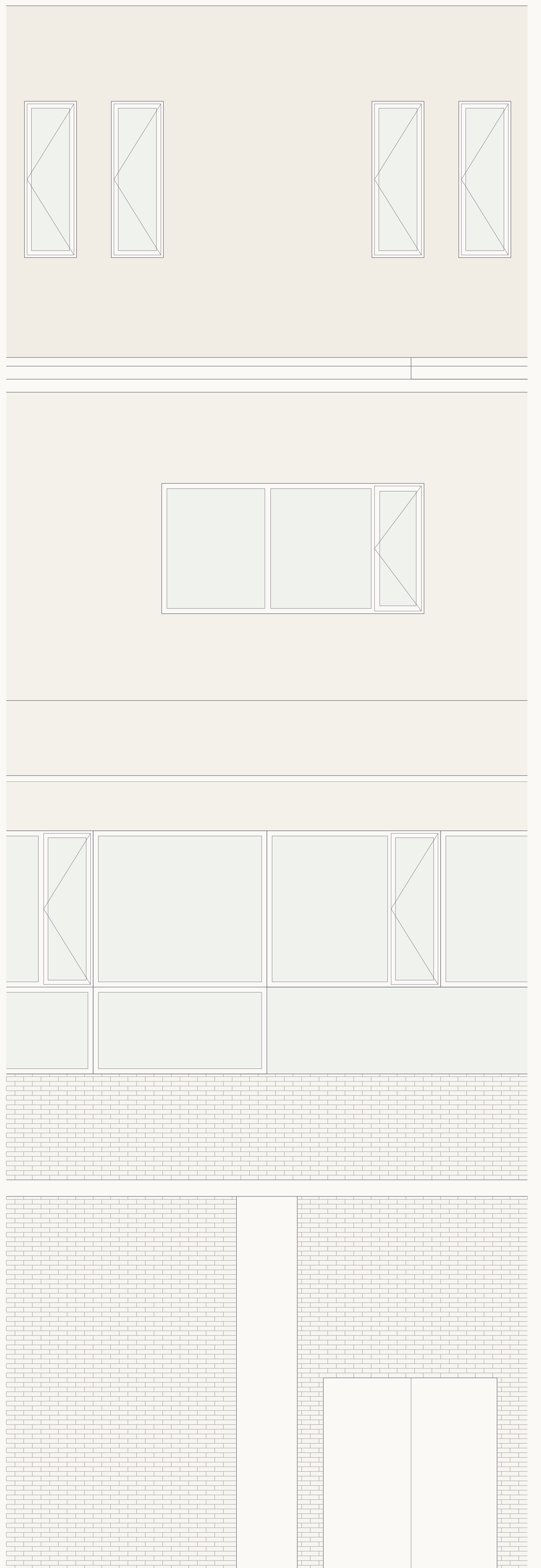
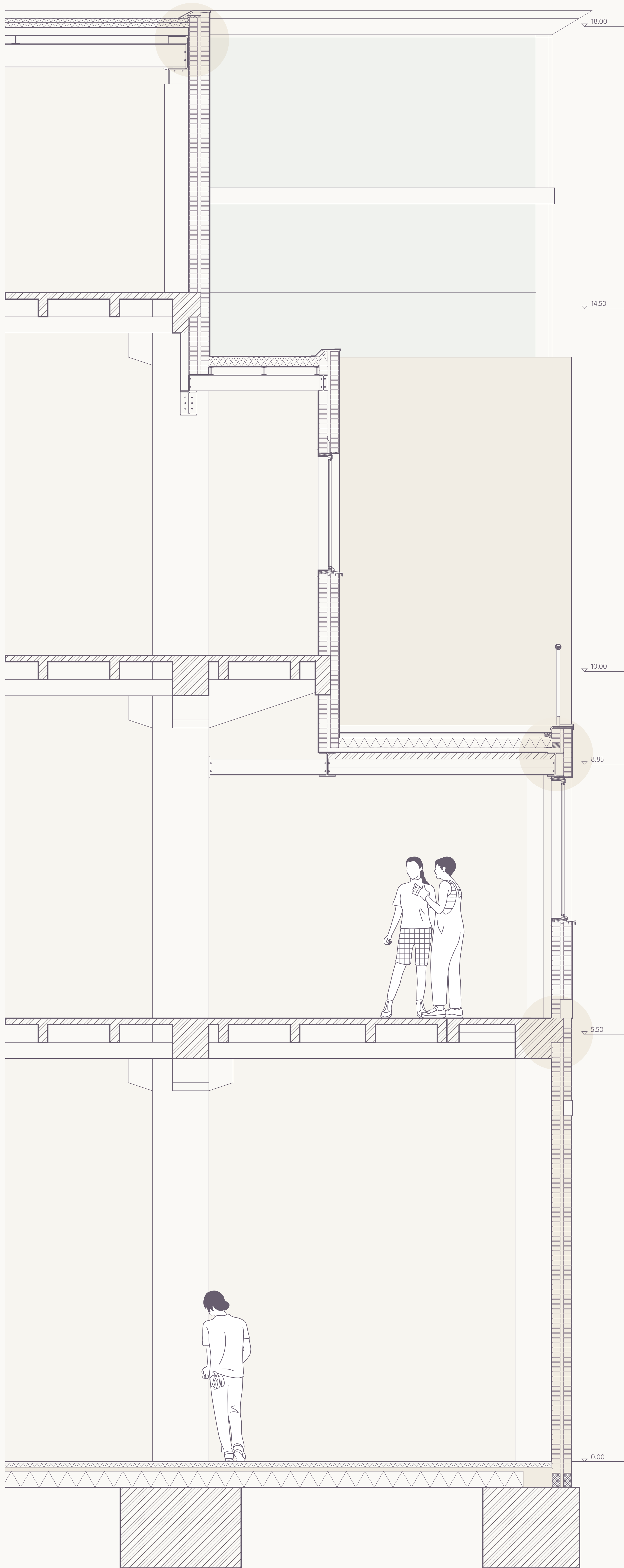


steel beams 300x300  
vertical anchor 40x100  
40mm opal polycarbonate

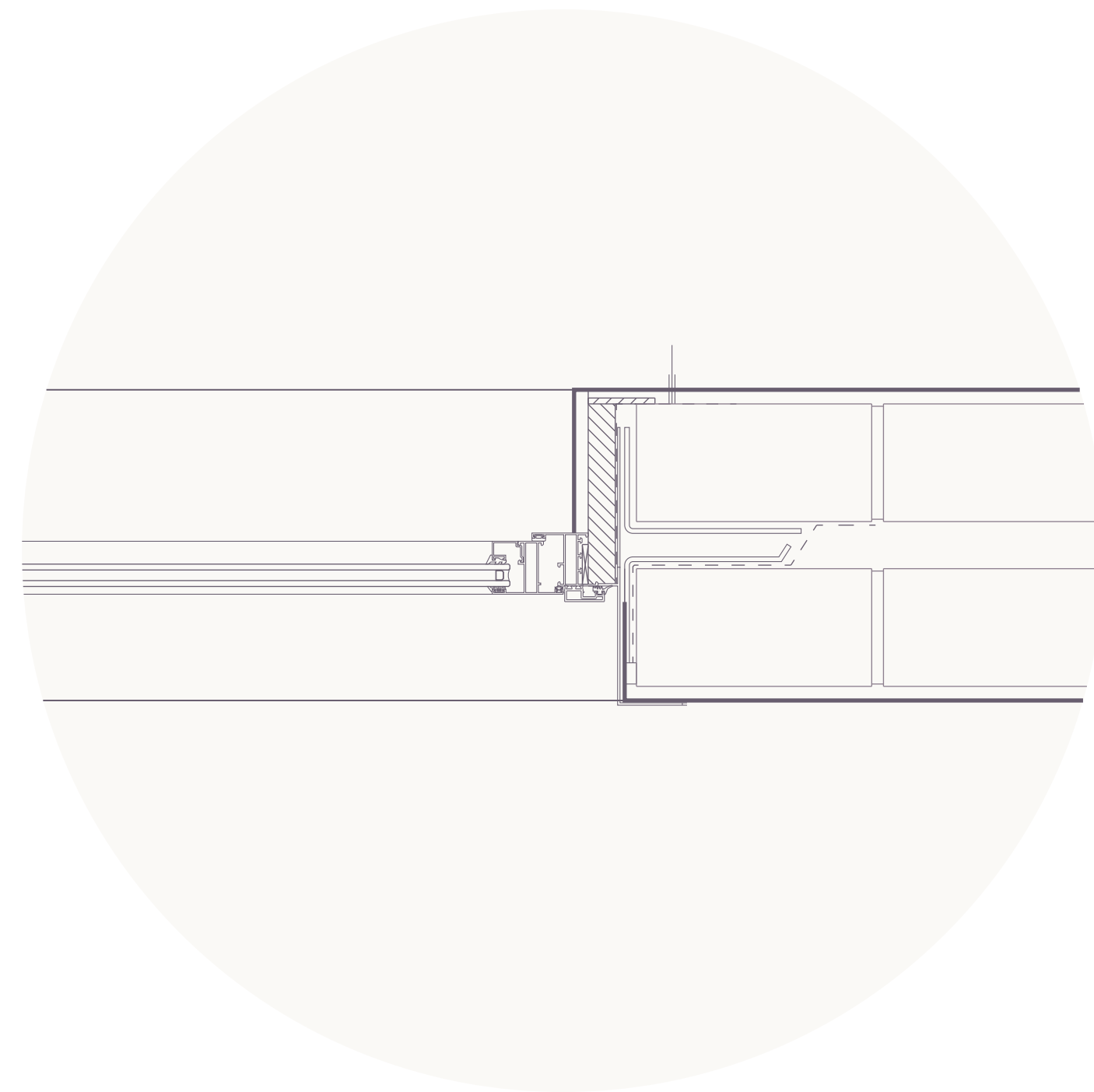
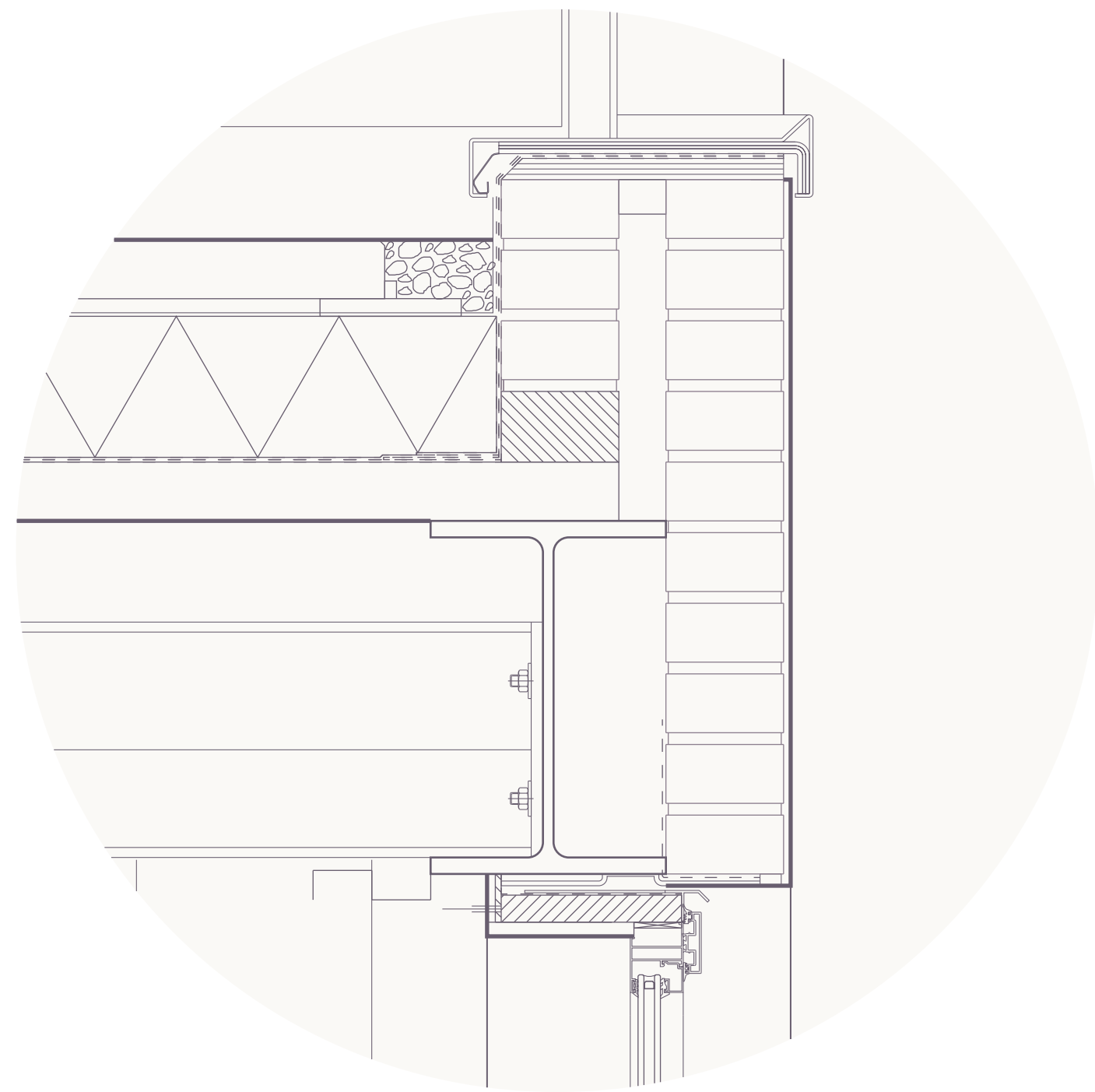
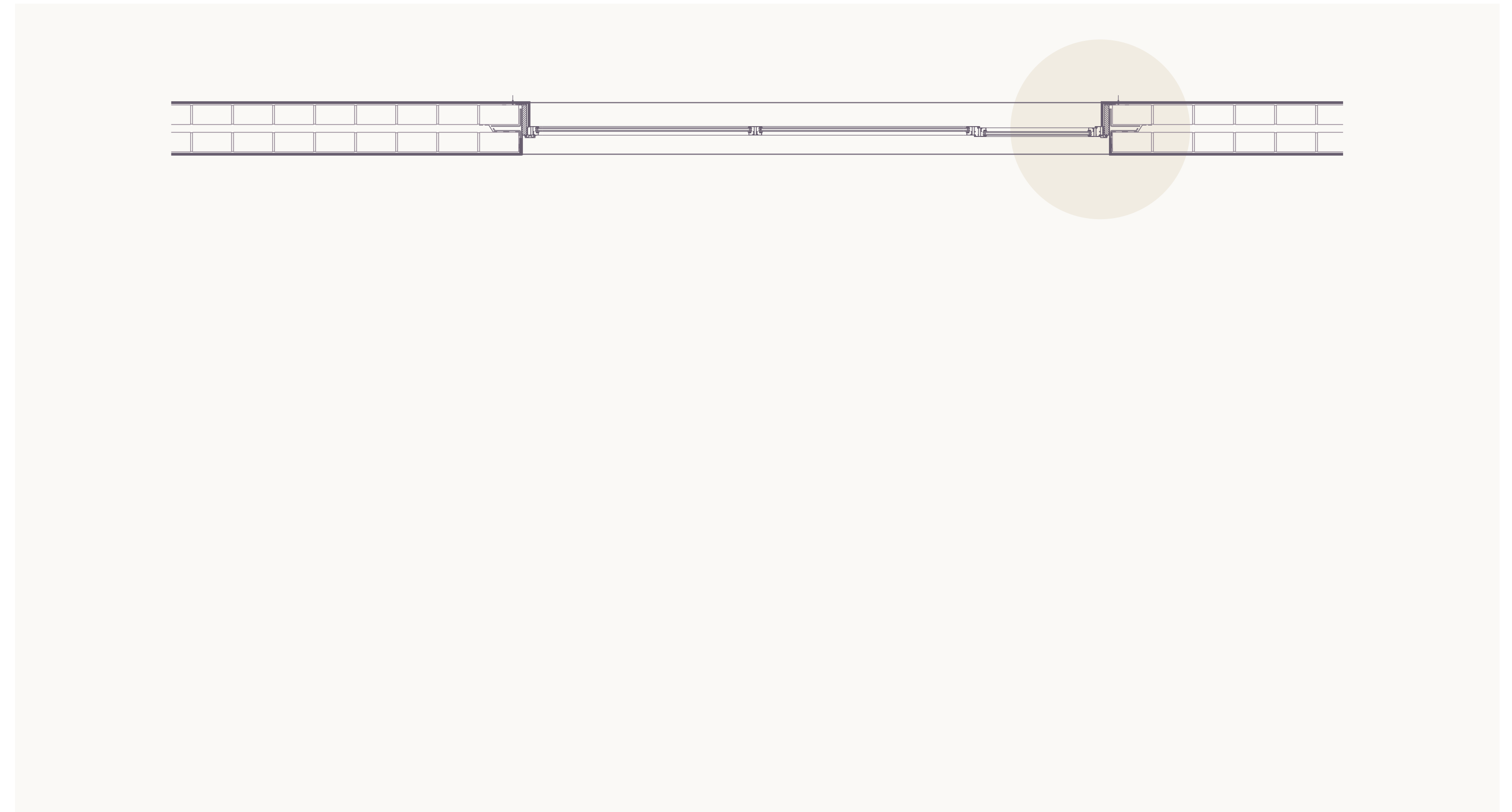
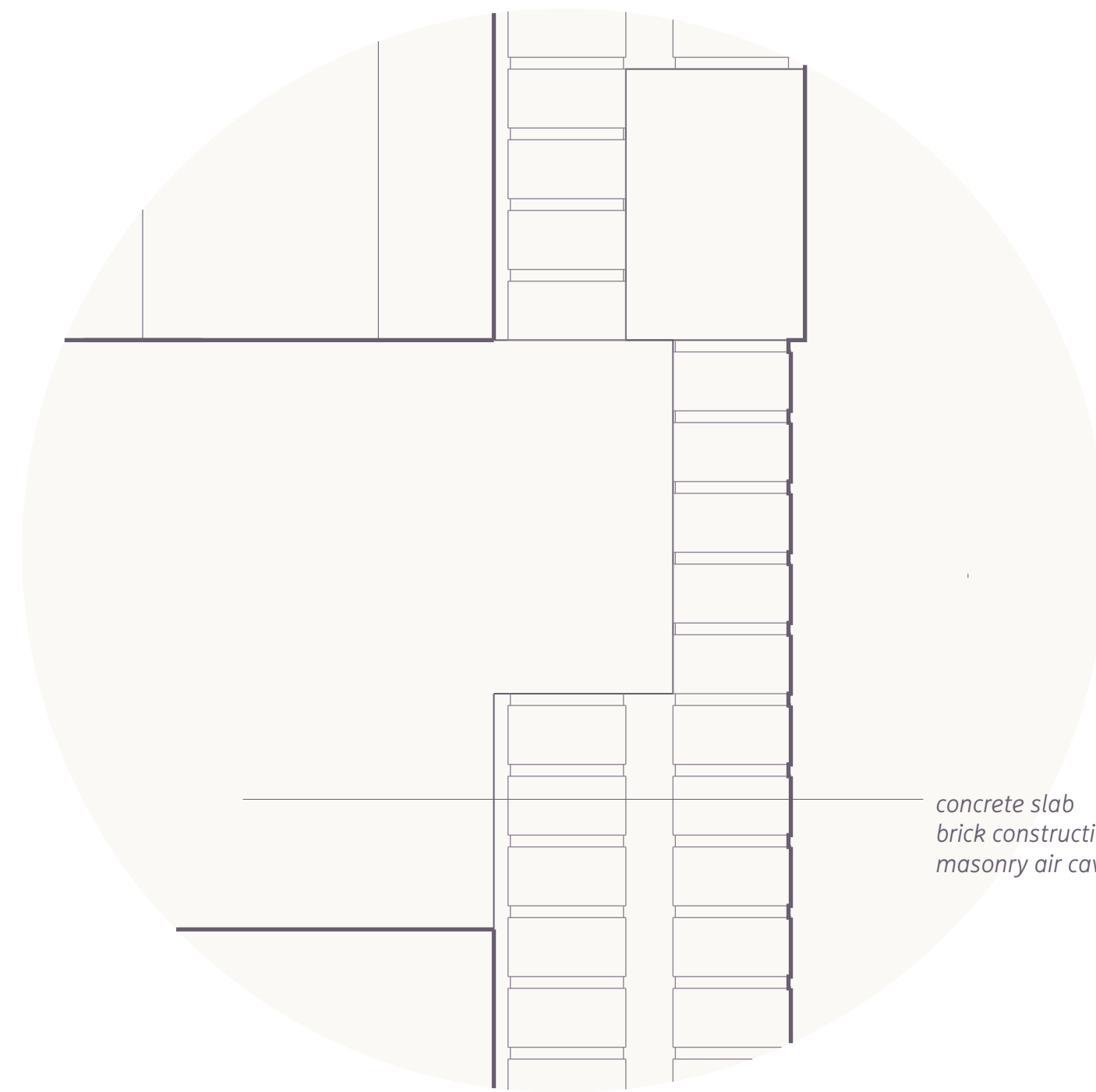
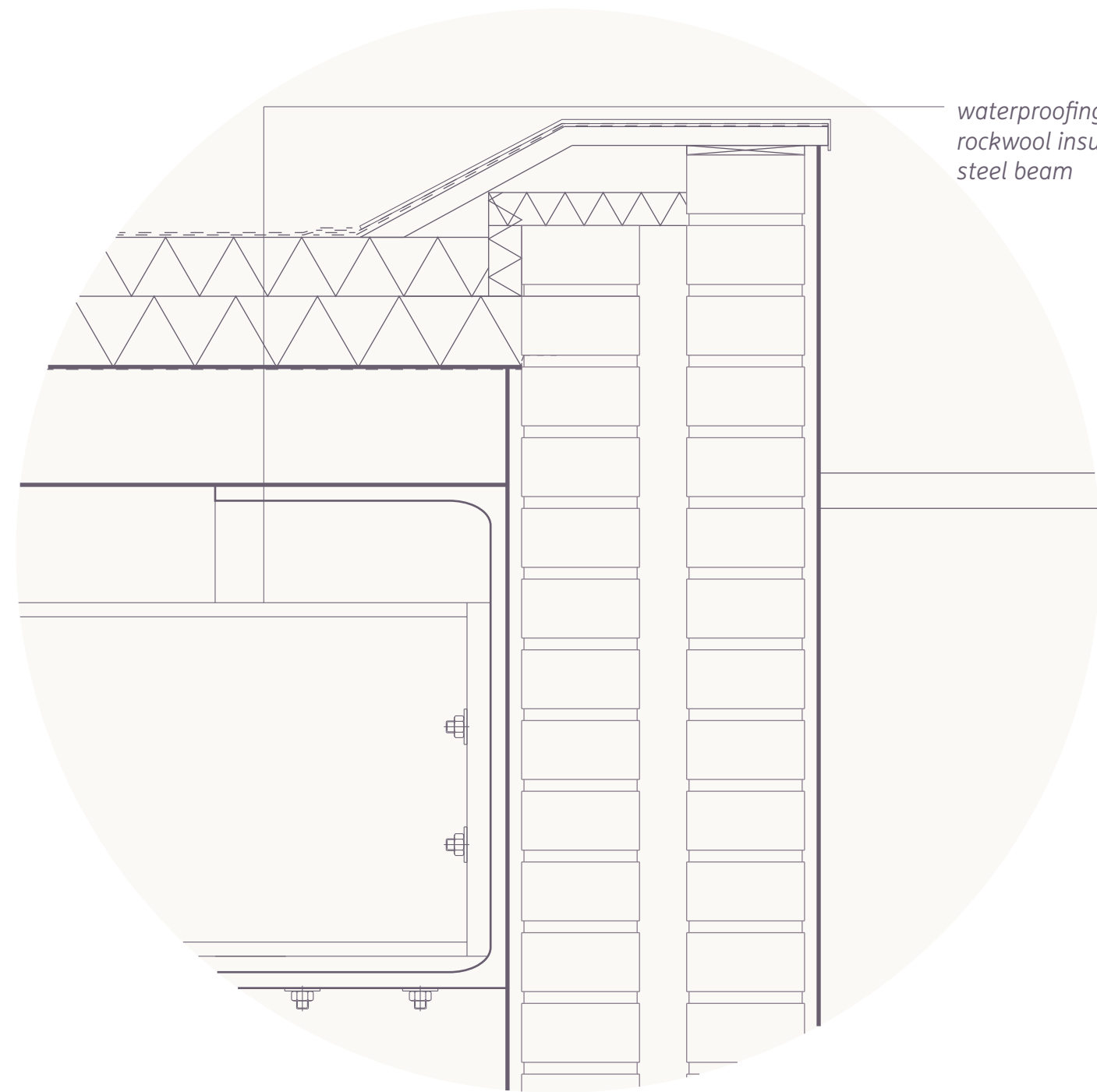


steel columns 400x400

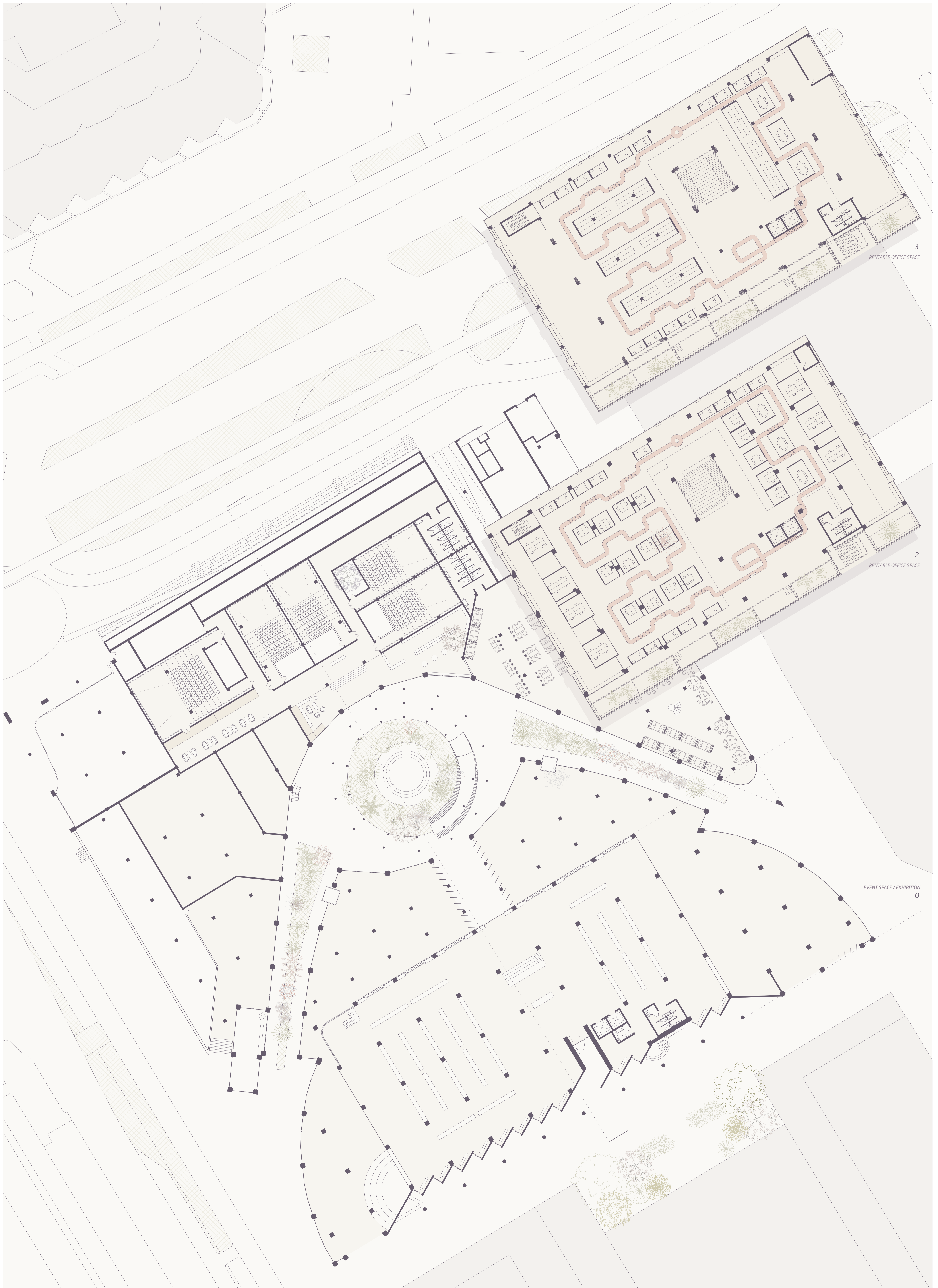
**1 : 5 NEW SECTION DETAILS**



1 : 20 EXISTING SECTION & ELEVATION



**1 : 5 EXISTING SECTION DETAILS**



1:200 PLAN



1  
WORKSHOP  
LIBRARY / BOOK STORE

1:100 PLAN

8000

20950

14100

17200

3750

1610

24000

8000

1610

